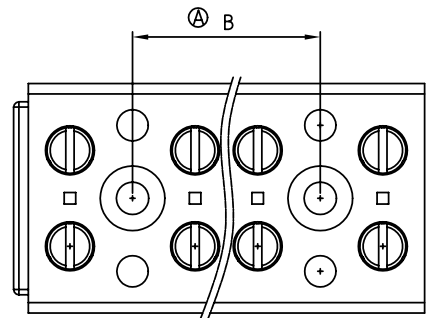
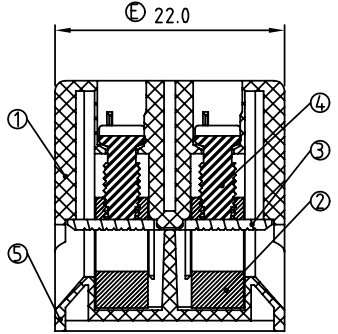
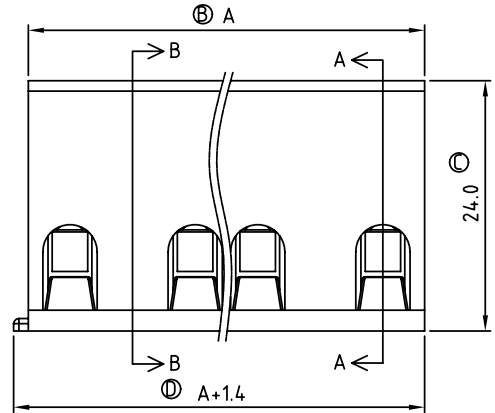
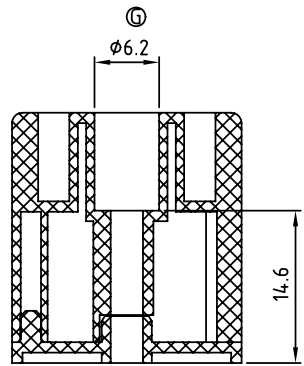


SIGN	DATE	DESCRIPTION	APPROVER
△	10/12'09	Add is cULus MARK	Aaron
<i>THIS IS CAD DRAWING, DO NOT REVISE MANUALLY!!!</i>			



- Material:
- Item ① Terminal housing: Thermoplastic (UL94V-0)
  - Item ② Clamp : Brass, Ni plated
  - Item ③ Wire guard solder pin : Brass, Tin plated
  - Item ④ Terminal Screw: "-" slot Steel zinc plated.
  - Item ⑤ Terminal cover : Thermoplastic (UL94V-0)

- Electrical: cULus
- Voltage rating: 300 V
  - Current rating: 30 A
  - Wire range:
  - Solid wire(AWG): 10-26
  - Stranded wire(AWG): 10-26
  - Torque: 9 Lb-In
  - Screw: M3.5
  - Wire strip length: 7-8 mm
  - Withstanding Voltage: 1.6KV
  - Operating temperature: -40°C to +115°C
  - Safety Approval:



**E 4 xx 0 1 x 0 xxxx G**

No. OF POLES ————

02: 2 POLES  
:  
:  
06: 06 POLES

COLOR ————

0: BLACK  
5: GREEN (RAL 6018/T)  
6: BLUE  
8: GREY (RAL 7004/P)

G: Pb<40000ppm  
0000: "@" Logo (Standard)  
000A: "ANYTEK" Mark  
Any special item by customer request. please contact sales department.

POLE	2	3	4	6
A	20.00	31.00	38.00	52.00
B	—	11.00	18.00	32.00
Tol.	±0.10	±0.15	±0.20	±0.30

<b>ANYTEK</b>		<b>CUSTOMER COPY</b>	
ALL RIGHTS RESERVED. REPRODUCTION OR ISSUE TO THIRD PARTIES IN ANY FORM WHATSOEVER IS NOT PERMITTED WITHOUT WRITTEN AUTHORITY FROM THE PROPRIETOR. PROPERTY OF ANYTEK TECHNOLOGY CO., LTD			
TITLE	E4 Series		
PART NO.	E4xx01x0xxxxG	DWG NO.	8E40001
APPROVED	CHECKED	DESIGNED	DRAWN
		Aaron 2009.10.12	Aaron 2009.10.12
		CUST NO.	
		Tolerance	
		UNIT: mm X. ±0.50	
		SCALE: NONE X.X ±0.30	
		X.XX ±0.10	
		X° ±1°	
SHEET: 01/01		REV: C	

# Mouser Electronics

Authorized Distributor

Click to View Pricing, Inventory, Delivery & Lifecycle Information:

[Amphenol:](#)

[E40401800000G](#) [E40601800000G](#) [E40201800000G](#) [E40301800000G](#)