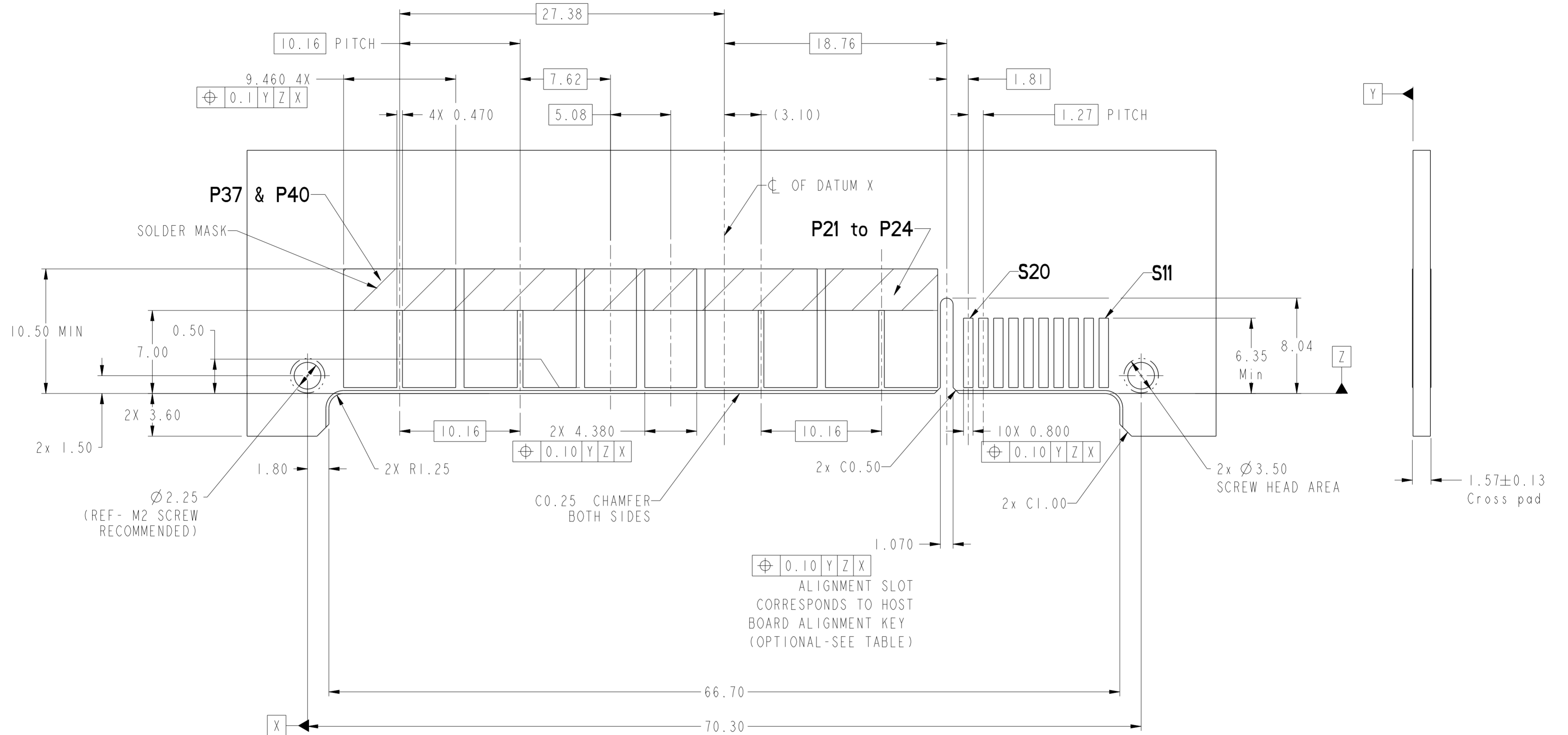
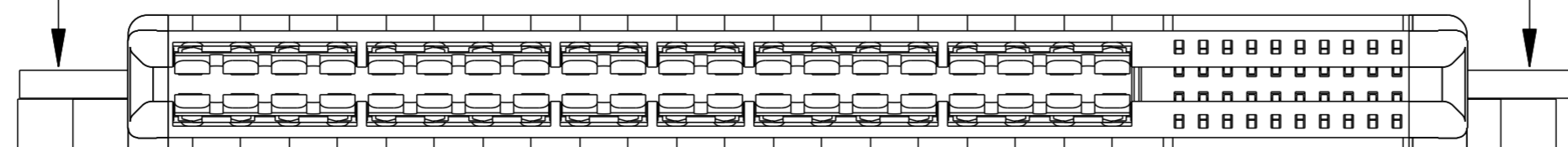


spec ref	-	dr	Hai-Ling Liu	2015/06/23	projection	MM	size	A2	scale	3:1	
tolerance std	ASME Y14.5	eng	Hai-Ling Liu	2015/10/30		CARD EDGE	ecn no	-	rel level		Released
TOLERANCES UNLESS OTHERWISE SPECIFIED		chr	Terris Liu	2015/10/30			product family	HPCE STMT RECEPT	10135943	rev	A
surface	ASME Y14.5	appr	Pai-Ming Zheng	2015/10/30			cat. no.	Product - Customer Drw	sheet 1 of 4		
linear	0.X	±0.5	0.XX	±0.25	0.XXX	±0.10					
angular	0°	±2°									



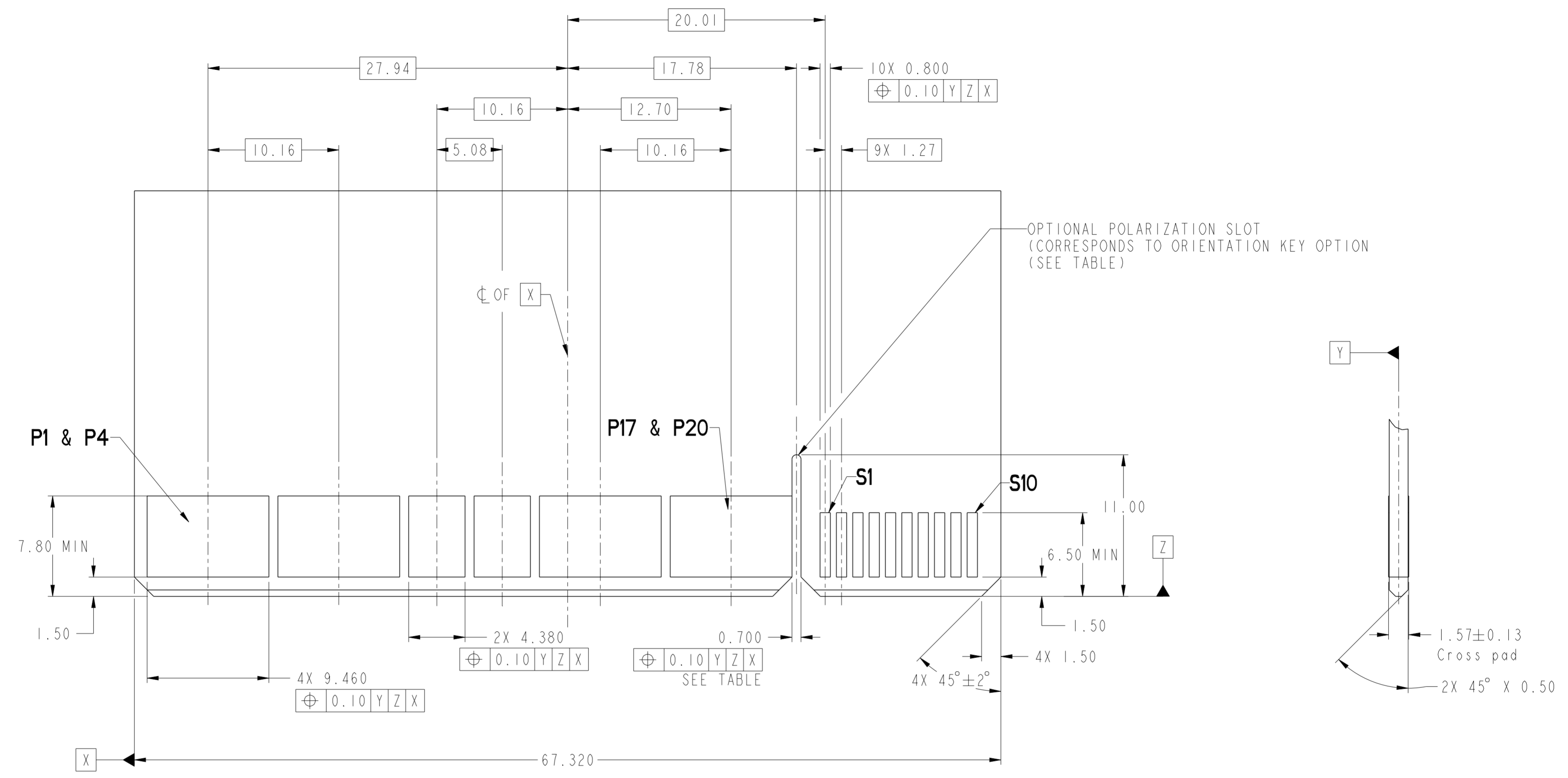
**RECOMMENDED PCB LAYOUT  
AS VIEWED**



dr	Hai-Ling Liu	2015/06/23	projection	MM	size	A2	scale	2:1
eng	Hai-Ling Liu	2015/10/30			ecn no	-	rel level	Released
chr	Terris Liu	2015/10/30						
appr	Pei-Ming Zheng	2015/10/30	product family	-				
		title HPCE STMT RECEPT 40P20S WITH SPECIAL EAR			dwg no 10135943	rev A		
www.fci.com		cat. no.	-			Product - Customer Drw		sheet 2 of 4



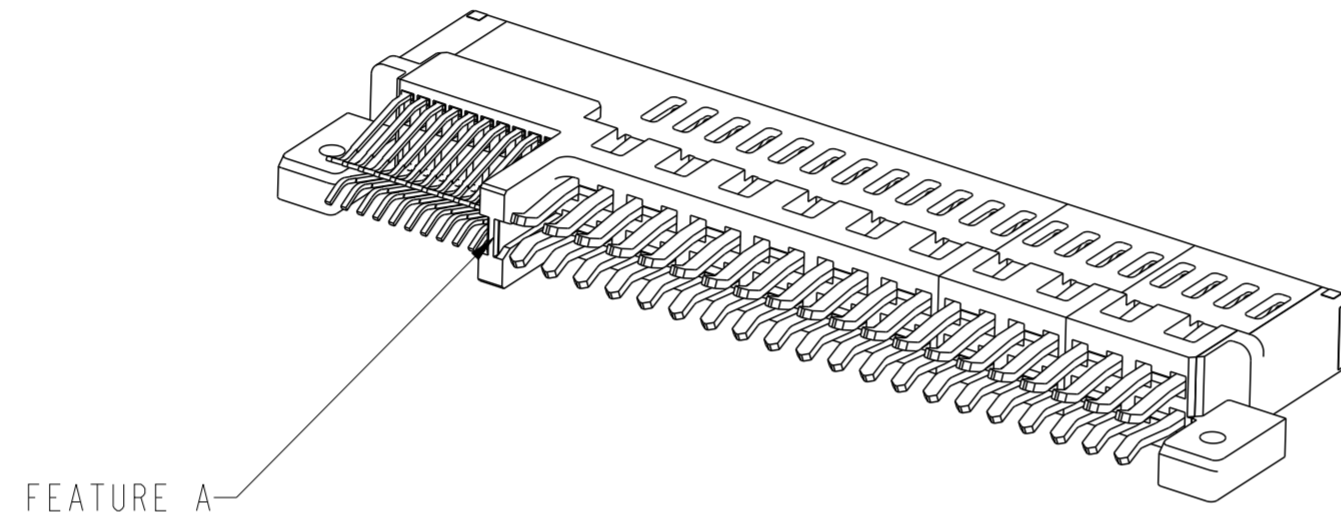
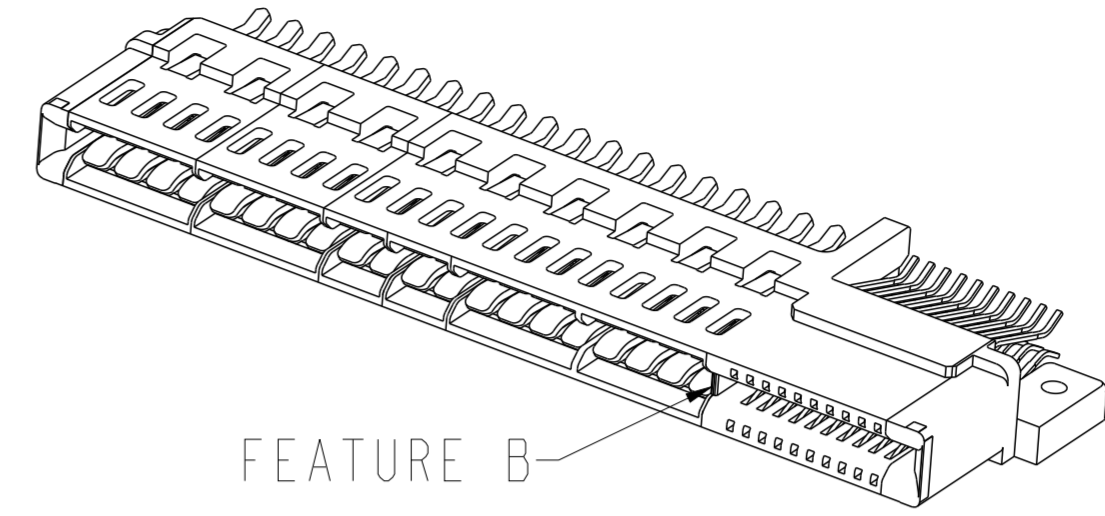
Copyright FCI.



### RECOMMENDED MATING BOARD FOOTPRINT

dr	Hai-Ling Liu	2015/06/23	projection	MM	size	A2	scale	1:1
eng	Hai-Ling Liu	2015/10/30			ecn no	-	rel level	Released
chr	Terris Liu	2015/10/30						
appr	Pei-Ming Zheng	2015/10/30	product family	-				
			title HPCE STMT RECEPT 40P20S WITH SPECIAL EAR			dwg no 10135943		rev A
www.fci.com			cat. no.			Product - Customer Draw		sheet 3 of 4

PART NUMBER	FEATURE A HOST BOARD ALIGNMENT KEY SEE NOTE 8	FEATURE B FRONT POLARIZATION KEY
10135943-001LF	YES	YES
10135943-002LF		NO



NOTES:

1. CONNECTOR MATERIALS:  
     HOUSING: HIGH TEMPERATURE THERMAL PLASTIC, BLACK  
             UL 94V-0 COMPLIANT  
     CONTACTS: HIGH PERFORMANCE COPPER ALLOY.
2. CONTACT FINISH REF. GS-12-604 SECTION 5.2.
3. PRODUCT SPECIFICATION: GS-12-604.
4. APPLICATION SPECIFICATION: GS-20-128.
5. PRODUCT MARKING (FCI - PART NUMBER & DATE CODE) ON HOUSING IN AREA SHOWN.
6. PACKAGING MEETS FCI SPECIFICATION GS-14-937.
7. HOST BOARD ALIGNMENT KEY IS RECOMMENDED TO ENSURE PROPER ALIGNMENT OF SOLDER TAILS WITH HOST BOARD PADS.

dr	Hai-Ling Liu	2015/06/23	projection	MM	size	A2	scale	4:1
eng	Hai-Ling Liu	2015/10/30			ecn no.	-	rel level	Released
chr	Terris Liu	2015/10/30						
appr	Pai-Ming Zheng	2015/10/30	product family	CARD EDGE				
		title HPCE STMT RECEPT 40P20S WITH SPECIAL EAR			dwg no. 10135943	rev A		
www.fci.com		cat. no.	-		Product - Customer Drw		sheet 4 of 4	