

# U36D Series



- Large Can
- Screw Terminals
- High Ripple
- Up to 550VDC Rated Voltage
- Dimensions in Inches
- RoHS Compliant
- +85°C Maximum Temperature



The U36D series is ideal for inverter applications requiring high ripple current capabilities. With a voltage range through 550 volts, the number of capacitors in series can be reduced. The U36D capacitors offer very large capacitance of up to 2.2F and a maximum operating temperature of +85°C. These capacitors are available with a variety of high current English or Metric thread terminals. Mounting options available are a three-footed clamp or bottom stud. (A special order two-footed clamp is also available for selected diameters.) All case size dimensions are based on inches. Custom designs are available upon request.

## Summary of Specifications

- Screw terminals: high and low post, English and Metric thread.
- Capacitance range: 68 $\mu$ F to 2.2F.
- Voltage range: 6.3 to 550VDC.
- Category temperature range: -40°C to +85°C.
- Leakage current: 0.02CV( $\mu$ A) or 5mA, whichever is smaller, after 5 minutes at +25°C.
- Standard capacitance tolerance:  $\pm$ 20%
- Nominal case size (D  $\times$  L): D = 35mm (1.375") to 89mm (3.500"); L = 41mm (1.625") to 220mm (8.625").
- Rated lifetime: 2,000 hours at +85°C with rated ripple current applied.

# U36D Series

## U36D Specifications - Screw Terminals

| Item                             | Characteristics   |         |       |       |       |      |      |      |      |      |       |       |      |      |     |     |     |     |     |
|----------------------------------|---|---------|-------|-------|-------|------|------|------|------|------|-------|-------|------|------|-----|-----|-----|-----|-----|
| Category Temperature Range       | - 40 to +85°C   |         |       |       |       |      |      |      |      |      |       |       |      |      |     |     |     |     |     |
| Rated Voltage Range              | 6.3 to 550VDC   |         |       |       |       |      |      |      |      |      |       |       |      |      |     |     |     |     |     |
| Capacitance Range                | 68μF to 2.2F at +25°C, 120Hz  |         |       |       |       |      |      |      |      |      |       |       |      |      |     |     |     |     |     |
| Capacitance Tolerance            | ±20% (M) at +25°C, 120Hz  |         |       |       |       |      |      |      |      |      |       |       |      |      |     |     |     |     |     |
| Leakage Current                  | I = 0.02CV (μA) or 5mA, whichever is smaller, after 5 minutes at +25°C.<br>Where I = Max. leakage current (μA), C = Nominal capacitance (μF) and V = Rated voltage (V)  |         |       |       |       |      |      |      |      |      |       |       |      |      |     |     |     |     |     |
| Rated Ripple Current Multipliers | <p>Ambient Temperature (°C)</p> <table border="1"> <tr> <td>≤ +55°C</td> <td>+65°C</td> <td>+75°C</td> <td>+85°C</td> </tr> <tr> <td>2.39</td> <td>2.22</td> <td>1.67</td> <td>1.00</td> </tr> </table> <p>Frequency (Hz)</p> <table border="1"> <tr> <td>50Hz</td> <td>120Hz</td> <td>300Hz</td> <td>1kHz</td> <td>3kHz</td> </tr> <tr> <td>0.8</td> <td>1.0</td> <td>1.1</td> <td>1.3</td> <td>1.4</td> </tr> </table>  | ≤ +55°C | +65°C | +75°C | +85°C | 2.39 | 2.22 | 1.67 | 1.00 | 50Hz | 120Hz | 300Hz | 1kHz | 3kHz | 0.8 | 1.0 | 1.1 | 1.3 | 1.4 |
| ≤ +55°C                          | +65°C   | +75°C   | +85°C |       |       |      |      |      |      |      |       |       |      |      |     |     |     |     |     |
| 2.39                             | 2.22  | 1.67    | 1.00  |       |       |      |      |      |      |      |       |       |      |      |     |     |     |     |     |
| 50Hz                             | 120Hz   | 300Hz   | 1kHz  | 3kHz  |       |      |      |      |      |      |       |       |      |      |     |     |     |     |     |
| 0.8                              | 1.0   | 1.1     | 1.3   | 1.4   |       |      |      |      |      |      |       |       |      |      |     |     |     |     |     |
| Endurance (Load Life)            | <p>The following specifications shall be satisfied when the capacitors are restored to +25°C after subjecting them to DC voltage for 2,000 hours at +85°C with the rated ripple current applied. The sum of the DC voltage and peak AC voltage must not exceed the full rated voltage of the capacitors.</p> <p>Capacitance change: ≤ 20% from initial measurement<br/>           ESR change : ≤ 300% of initial specified limit<br/>           Leakage current : ≤ initial specified limit</p>                 |         |       |       |       |      |      |      |      |      |       |       |      |      |     |     |     |     |     |
| Shelf Life                       | <p>The following specifications shall be satisfied when the capacitors are restored to +25°C after exposing them for 500 hours at +85°C without voltage applied. The rated voltage shall be applied to the capacitors for a minimum of 30 minutes, at least 24 hours and not more than 48 hours before the measurements.</p> <p>Capacitance change: ≤ 20% from initial measurement<br/>           ESR change : ≤ 300% of initial specified limit<br/>           Leakage current : ≤ initial specified limit</p> |         |       |       |       |      |      |      |      |      |       |       |      |      |     |     |     |     |     |

# U36D Series

## Diagram of Dimensions - Screw Terminals

### Large Can/Screw Terminals

Unit: inches (mm)



### Case Dimensions

| Case Size Code  | ØD<br>+0.080 (2.0) | L<br>±0.040 (1.0)  | F<br>±0.010 (0.25) |
|---|--------------------|--|--------------------|
| A41<br>A54<br>A67<br>A79<br>A92<br>AA5<br>AB7<br>AD0<br>AE3 | 1.375 (35.0)       | 1.625 (41)<br>2.125 (54)<br>2.625 (67)<br>3.125 (79)<br>3.625 (92)<br>4.125 (105)<br>4.625 (117)<br>5.125 (130)<br>5.625 (143) | 0.500 (12.7)       |
| C48<br>C54<br>C67<br>C79<br>C92<br>CA5<br>CB7<br>CD0<br>CE3 | 2.000 (50.8)       | 1.875 (48)<br>2.125 (54)<br>2.625 (67)<br>3.125 (79)<br>3.625 (92)<br>4.125 (105)<br>4.625 (117)<br>5.125 (130)<br>5.625 (143) | 0.875 (22.2)       |
| D79<br>DA5<br>DB7<br>DD0<br>DE3                             | 2.500 (63.5)       | 3.125 (79)<br>4.125 (105)<br>4.625 (117)<br>5.125 (130)<br>5.625 (143)   | 1.125 (28.6)       |
| E79<br>E92<br>EA5<br>EB7<br>ED0<br>EE3<br>EN0               | 3.000 (76.2)       | 3.125 (79)<br>3.625 (92)<br>4.125 (105)<br>4.625 (117)<br>5.125 (130)<br>5.625 (143)<br>8.625 (220)                            | 1.250 (31.8)       |
| FA5<br>FB7<br>FD0<br>FE3                                    | 3.500 (89.0)       | 4.125 (105)<br>4.625 (117)<br>5.125 (130)<br>5.625 (143)   | 1.250 (31.8)       |

### Terminal Specifications

| Terminal Code | Available Case Diameter |                             | Thread Size  | Minimum Thread Depth | J<br>±0.020 (0.5) | H<br>±0.080 (2.0) | ØS<br>±0.010 (0.25) | ØT<br>±0.010 (0.25) |
|---------------|-------------------------|-----------------------------|--------------|----------------------|-------------------|-------------------|---------------------|---------------------|
|               | ØD Code                 | ØD inches (mm)              |              |                      |                   |                   |                     |                     |
| HP            | C-E                     | 1.375 – 3.000 (35.0 – 76.2) | 10-32 NF-2B  | 0.375 (9.5)          | 0.250 (6.4)       | L+J               | 0.313 (8.0)         | 0.438 (11.1)        |
| LP            | C-E                     | 1.375 – 3.000 (35.0 – 76.2) | 10-32 NF-2B  | 0.219 (5.6)          | 0.063 (1.6)       | L+J               | 0.313 (8.0)         | —                   |
| HL            | C-E                     | 1.375 – 3.000 (35.0 – 76.2) | M5x0.8-6H    | 0.375 (9.5)          | 0.250 (6.4)       | L+J               | 0.313 (8.0)         | 0.438 (11.1)        |
| ML            | C-E                     | 1.375 – 3.000 (35.0 – 76.2) | M5x0.8-6H    | 0.219 (5.6)          | 0.063 (1.6)       | L+J               | 0.313 (8.0)         | 0.438 (11.1)        |
| CD            | D-E                     | 2.500 – 3.000 (63.5 – 76.2) | M5x0.8-6H    | 0.335 (8.5)          | 0.200 (5.0)       | L+J               | 0.512 (13.0)        | 0.740 (18.8)        |
| CP            | D-F                     | 2.500 – 3.500 (63.5 – 89.0) | 1/4-28 NF-2B | 0.344 (8.7)          | 0.093 (2.4)       | L+J               | 0.689 (17.5)        | —                   |
| CH            | D-F                     | 2.500 – 3.500 (63.5 – 89.0) | 1/4-28 NF-2B | 0.468 (11.9)         | 0.250 (6.4)       | L+J               | 0.689 (17.5)        | —                   |
| CA            | D-F                     | 2.500 – 3.500 (63.5 – 89.0) | M6x1-6H      | 0.344 (8.7)          | 0.093 (2.4)       | L+J               | 0.689 (17.5)        | —                   |
| CS            | D-F                     | 2.500 – 3.500 (63.5 – 89.0) | M6x1-6H      | 0.468 (11.9)         | 0.250 (6.4)       | L+J               | 0.689 (17.5)        | —                   |

# U36D Series

## Mounting Hardware - Screw Terminals

### Type C: Three-Footed Clamp

Unit: mm (inches)

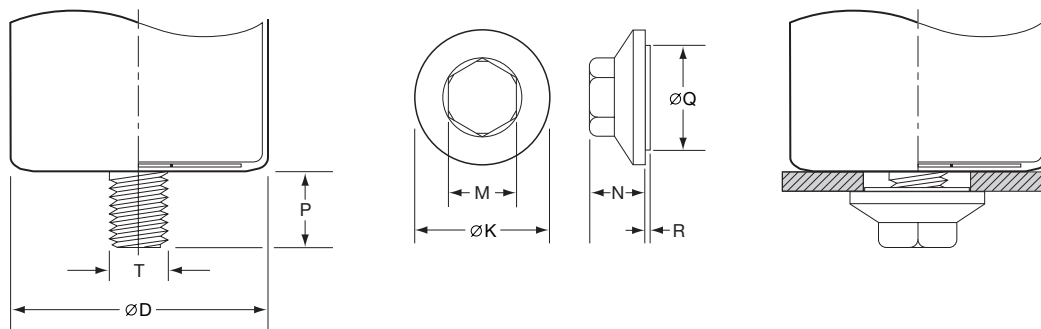


### Type C: Clamp Dimensions

| Mounting Code | Case ØD      | A ±1.0 (0.040) | B ±1.0 (0.040) | G ±1.0 (0.040) | J ±0.5 (0.020) | K ±0.5 (0.020) | R ±1.0 (0.040) | S ±1.0 (0.040) | T ±0.5 (0.020) |
|---------------|--------------|----------------|----------------|----------------|----------------|----------------|----------------|----------------|----------------|
| See Note      | 35.0 (1.375) | —              | —              | —              | —              | —              | —              | —              | —              |
| C             | 50.8 (2.000) | 31.8 (1.250)   | 36.5 (1.437)   | 13.3 (0.524)   | 4.5 (0.177)    | 7.1 (0.280)    | 19.1 (0.751)   | 9.5 (0.374)    | 0.8 (0.032)    |
| C             | 63.5 (2.500) | 38.1 (1.500)   | 42.9 (1.689)   | 13.3 (0.524)   | 4.5 (0.177)    | 7.1 (0.280)    | 19.1 (0.751)   | 9.5 (0.374)    | 0.8 (0.032)    |
| C             | 76.2 (3.000) | 44.5 (1.750)   | 49.2 (1.937)   | 13.3 (0.524)   | 4.5 (0.177)    | 7.1 (0.280)    | 19.1 (0.751)   | 9.5 (0.374)    | 1.0 (0.040)    |
| C             | 89.0 (3.500) | 50.8 (2.000)   | 56.5 (2.224)   | 16.0 (0.630)   | 4.5 (0.177)    | 8.0 (0.313)    | 21.0 (0.827)   | 9.0 (0.354)    | 1.0 (0.040)    |

Note: Type B two-footed clamp available upon request for Ø35, Ø50.8, Ø63.5 and Ø76.2. Consult UCC for specifications.

### Type S: Stud Mounting



### Type S: Stud Mounting Dimensions

| Mounting Code | P ±1.0 (0.040) | T Thread Size | M ±1.0 (0.040) | N ±1.0 (0.040) | ØK ±2.0 (0.080) | ØQ ±1.0 (0.040) | R ±1.0 (0.040) |
|---------------|----------------|---------------|----------------|----------------|-----------------|-----------------|----------------|
| S             | 16.0 (0.630)   | M12           | 19.0 (0.748)   | 18.0 (0.709)   | 30.0 (1.181)    | 22.0 (0.866)    | 1.40 (0.055)   |

U36D  
LARGE CAN 85°C

# U36D Series

**Part Numbering System for U36D Series** When ordering, always specify complete 18-field global part number.



- 9 Supplement Code.** Field 18.  
 C = PET insulation with end disk.  
 F = Coated can.  
 M = Pb-free PVC insulation with end disk.
- 8 Case Size.** Fields 15, 16 and 17.  
 The single letter diameter code is inserted in field 15.  
 A = Ø35mm (Ø1.375")  
 C = Ø50.8mm (Ø2.000")  
 D = Ø63.5mm (Ø2.500")  
 E = Ø76.2mm (Ø3.000")  
 F = Ø89mm (Ø3.500")  
 The double character length code is inserted in fields 16 and 17.  
 For lengths ≤99mm, insert the actual length rounded to nearest millimeter. For lengths of 100mm or more, insert the appropriate alpha numeric code as indicated below.  
 41 = 41mm (1.625")  
 48 = 48mm (1.875")  
 54 = 54mm (2.125")  
 67 = 67mm (2.625")  
 79 = 79mm (3.125")  
 92 = 92mm (3.625")  
 A5 = 105mm (4.125")  
 B7 = 117mm (4.625")  
 D0 = 130mm (5.125")  
 E3 = 143mm (5.625")  
 N0 = 220mm (8.625")
- 7 Capacitance Tolerance.** Field 14.  
 M = ±20%
- 6 Capacitance.** Fields 11, 12 and 13.  
 Expressed in Microfarads. The first two digits are significant figures inserted in fields 11 and 12, and the third digit inserted in field 13 indicates the number of zeros for capacitance of 10µF or more. R indicates the decimal point for capacitance less than 10µF (e.g. 1R8 = 1.8µF; 180 = 18µF; 181 = 180µF; 182 = 1,800µF; 183 = 18,000µF).
- 5 Mounting Hardware.** Field 10.  
 N = None.  
 B = Two-footed clamp.  
 C = Three-footed clamp.  
 S = Stud mount.
- 4 Terminal Type.** Fields 8 and 9.  
 HP = High post 10-32 NF-2B screw thread.  
 LP = Low post 10-32 NF-2B screw thread.  
 HL = High post M5x0.8 screw thread.  
 ML = Low post M5x0.8 screw thread.  
 CD = UTE M5x0.8 screw thread.  
 CP = Low post 1/4-28 NF-2B screw thread.  
 CH = High post 1/4-28 NF-2B screw thread.  
 CA = Low post M6x1 screw thread.  
 CS = High post M6x1 screw thread.
- 3 DC Rated Voltage.** Fields 5, 6 and 7.  
 Expressed in Volts. The first two digits are significant figures inserted in fields 5 and 6, and the third digit inserted in field 7 indicates the number of zeros for rated voltage of 10VDC or more. R indicates the decimal point for rated voltage less than 10VDC (e.g. 4R0 = 4.0VDC; 400 = 40VDC; 401 = 400VDC).
- 2 Series Name.** Fields 2, 3 and 4.  
 Enter the 3-letter/digit series name in fields 2, 3 and 4. If the series name is only 2 letters/digits, place a dash in field 4. For a series name with more than 3 letters/digits, refer to the individual series for the appropriate 3-field series name.
- 1 Capacitor Type.** Field 1.  
 Aluminum Electrolytic Capacitor (Polar).

U36D  
LARGE CAN 85°C

# U36D Series

## Standard Voltage Ratings - Screw Terminals

| Rated Voltage (WVDC)               | Capacitance (µF)   | Global Part Number† | Nominal Case Size* D × L (inches) | Case Size Code | Maximum ESR (mΩ) at +25°C, 120Hz | Rated Ripple Current (A rms) at +85°C, 120Hz |
|------------------------------------|--------------------|---------------------|-----------------------------------|----------------|----------------------------------|--|
| <b>6.3 Volts<br/>8 Volts Surge</b> | 39,000             | E36D6R3HPN393MA41M  | 1.375 × 1.625                     | A41            | 42.7                             | 4.48   |
|                                    | 68,000             | E36D6R3HPN683MA54M  | 1.375 × 2.125                     | A54            | 25.5                             | 6.35   |
|                                    | 120,000            | E36D6R3HPN124MA79M  | 1.375 × 3.125                     | A79            | 15.4                             | 9.47   |
|                                    | 180,000            | E36D6R3HPN184MAA5M  | 1.375 × 4.125                     | AA5            | 11.2                             | 11.10  |
|                                    | 220,000            | E36D6R3HPN224MAB7M  | 1.375 × 4.625                     | AB7            | 9.8                              | 12.55  |
|                                    | 270,000            | E36D6R3HPN274MAE3M  | 1.375 × 5.625                     | AE3            | 8.4                              | 15.27  |
|                                    | 120,000            | E36D6R3HPN124MC54M  | 2.000 × 2.125                     | C54            | 16.9                             | 7.72   |
|                                    | 220,000            | E36D6R3HPN224MC67M  | 2.000 × 2.625                     | C67            | 9.1                              | 10.85  |
|                                    | 270,000            | E36D6R3HPN274MC79M  | 2.000 × 3.125                     | C79            | 8.8                              | 12.60  |
|                                    | 390,000            | E36D6R3HPN394MC92M  | 2.000 × 3.625                     | C92            | 7.5                              | 15.71  |
|                                    | 470,000            | E36D6R3HPN474MCB7M  | 2.000 × 4.625                     | CB7            | 5.8                              | 17.95  |
|                                    | 560,000            | E36D6R3HPN564MCD0M  | 2.000 × 5.125                     | CD0            | 5.2                              | 19.94  |
|                                    | 680,000            | E36D6R3HPN684MCE3M  | 2.000 × 5.625                     | CE3            | 5.0                              | 22.31  |
|                                    | 470,000            | E36D6R3HPN474MD79M  | 2.500 × 3.125                     | D79            | 8.9                              | 15.39  |
|                                    | 680,000            | E36D6R3HPN684MDA5M  | 2.500 × 4.125                     | DA5            | 6.5                              | 20.69  |
|                                    | 820,000            | E36D6R3HPN824MDB7M  | 2.500 × 4.625                     | DB7            | 5.8                              | 21.02  |
|                                    | 1,000,000          | E36D6R3HPN105MDE3M  | 2.500 × 5.625                     | DE3            | 4.9                              | 24.55  |
|                                    | 680,000            | E36D6R3HPN684ME79M  | 3.000 × 3.125                     | E79            | 10.0                             | 17.32  |
|                                    | 820,000            | E36D6R3HPN824ME92M  | 3.000 × 3.625                     | E92            | 8.6                              | 19.55  |
|                                    | 1,000,000          | E36D6R3HPN105MEA5M  | 3.000 × 4.125                     | EA5            | 7.5                              | 22.10  |
| 1,200,000                          | E36D6R3HPN125MEB7M | 3.000 × 4.625       | EB7                               | 6.8            | 24.59                            |  |
| 1,500,000                          | E36D6R3HPN155MEE3M | 3.000 × 5.625       | EE3                               | 5.6            | 29.17                            |  |
| 2,200,000                          | E36D6R3HPN225MEN0M | 3.000 × 8.625       | EN0                               | 3.9            | 41.67                            |  |
| <b>10 Volts<br/>13 Volts Surge</b> | 33,000             | E36D100HPN333MA41M  | 1.375 × 1.625                     | A41            | 40.9                             | 3.65   |
|                                    | 56,000             | E36D100HPN563MA54M  | 1.375 × 2.125                     | A54            | 25.0                             | 4.99   |
|                                    | 82,000             | E36D100HPN823MA67M  | 1.375 × 2.625                     | A67            | 18.0                             | 6.44   |
|                                    | 100,000            | E36D100HPN104MA79M  | 1.375 × 3.125                     | A79            | 15.0                             | 7.65   |
|                                    | 120,000            | E36D100HPN124MA92M  | 1.375 × 3.625                     | A92            | 12.9                             | 8.45   |
|                                    | 150,000            | E36D100HPN154MAA5M  | 1.375 × 4.125                     | AA5            | 10.9                             | 10.03  |
|                                    | 180,000            | E36D100HPN184MAB7M  | 1.375 × 4.625                     | AB7            | 10.6                             | 11.24  |
|                                    | 220,000            | E36D100HPN224MAE3M  | 1.375 × 5.625                     | AE3            | 8.3                              | 12.71  |
|                                    | 82,000             | E36D100HPN823MC48M  | 2.000 × 1.875                     | C48            | 21.0                             | 6.36   |
|                                    | 100,000            | E36D100HPN104MC54M  | 2.000 × 2.125                     | C54            | 16.6                             | 7.37   |
|                                    | 150,000            | E36D100HPN154MC67M  | 2.000 × 2.625                     | C67            | 11.5                             | 9.18   |
|                                    | 220,000            | E36D100HPN224MC79M  | 2.000 × 3.125                     | C79            | 8.8                              | 11.93  |
|                                    | 270,000            | E36D100HPN274MC92M  | 2.000 × 3.625                     | C92            | 7.4                              | 13.07  |
|                                    | 330,000            | E36D100HPN334MCA5M  | 2.000 × 4.125                     | CA5            | 6.4                              | 15.32  |
|                                    | 390,000            | E36D100HPN394MCB7M  | 2.000 × 4.625                     | CB7            | 5.7                              | 16.35  |
|                                    | 470,000            | E36D100HPN474MCE3M  | 2.000 × 5.625                     | CE3            | 4.9                              | 19.08  |
|                                    | 330,000            | E36D100HPN334MD79M  | 2.500 × 3.125                     | D79            | 8.7                              | 12.77  |
|                                    | 560,000            | E36D100HPN564MDA5M  | 2.500 × 4.125                     | DA5            | 6.3                              | 18.77  |
|                                    | 680,000            | E36D100HPN684MDB7M  | 2.500 × 4.625                     | DB7            | 5.7                              | 19.14  |
|                                    | 820,000            | E36D100HPN824MDE3M  | 2.500 × 5.625                     | DE3            | 4.9                              | 20.73  |
| 680,000                            | E36D100HPN684ME92M | 3.000 × 3.625       | E92                               | 8.9            | 18.43                            |  |
| 820,000                            | E36D100HPN824MEA5M | 3.000 × 4.125       | EA5                               | 7.7            | 21.39                            |  |
| 1,000,000                          | E36D100HPN105MED0M | 3.000 × 5.125       | ED0                               | 6.0            | 23.50                            |  |
| 1,200,000                          | E36D100HPN125MEE3M | 3.000 × 5.625       | EE3                               | 5.7            | 26.84                            |  |
| 1,800,000                          | E36D100HPN185MEN0M | 3.000 × 8.625       | EN0                               | 4.0            | 37.69                            |  |
| <b>16 Volts<br/>20 Volts Surge</b> | 22,000             | E36D160HPN223MA41M  | 1.375 × 1.625                     | A41            | 44.2                             | 3.16   |
|                                    | 39,000             | E36D160HPN393MA54M  | 1.375 × 2.125                     | A54            | 26.1                             | 4.50   |
|                                    | 56,000             | E36D160HPN563MA67M  | 1.375 × 2.625                     | A67            | 19.0                             | 5.63   |
|                                    | 68,000             | E36D160HPN683MA79M  | 1.375 × 3.125                     | A79            | 15.8                             | 6.68   |
|                                    | 82,000             | E36D160HPN823MA92M  | 1.375 × 3.625                     | A92            | 13.5                             | 7.86   |
|                                    | 100,000            | E36D160HPN104MAA5M  | 1.375 × 4.125                     | AA5            | 11.6                             | 9.23   |
|                                    | 120,000            | E36D160HPN124MAB7M  | 1.375 × 4.625                     | AB7            | 10.2                             | 10.33  |
|                                    | 150,000            | E36D160HPN154MAE3M  | 1.375 × 5.625                     | AE3            | 8.7                              | 12.69  |
|                                    | 56,000             | E36D160HPN563MC48M  | 2.000 × 1.875                     | C48            | 21.7                             | 5.51   |
|                                    | 68,000             | E36D160HPN683MC54M  | 2.000 × 2.125                     | C54            | 17.2                             | 6.37   |

† For terminal, mounting and construction options, refer to the part numbering system for descriptions and codes.

\* Refer to diagram of dimensions for detailed case size specifications.

LARGE CAN 85°C  
U36D

# U36D Series

## Standard Voltage Ratings - Screw Terminals

| Rated Voltage (WVDC)       | Capacitance (µF)   | Global Part Number† | Nominal Case Size* D × L (inches) | Case Size Code | Maximum ESR (mΩ) at +25°C, 120Hz | Rated Ripple Current (A rms) at +85°C, 120Hz |
|----------------------------|--------------------|---------------------|-----------------------------------|----------------|----------------------------------|--|
| 16 Volts<br>20 Volts Surge | 120,000            | E36D160HPN124MC54M  | 2.000 × 2.625                     | C54            | 12.2                             | 9.00   |
|                            | 150,000            | E36D160HPN154MC67M  | 2.000 × 3.125                     | C67            | 9.2                              | 10.79  |
|                            | 220,000            | E36D160HPN224MC92M  | 2.000 × 3.625                     | C92            | 6.7                              | 13.19  |
|                            | 270,000            | E36D160HPN274MCB7M  | 2.000 × 4.625                     | CB7            | 5.9                              | 15.71  |
|                            | 330,000            | E36D160HPN334MCE3M  | 2.000 × 5.625                     | CE3            | 5.1                              | 19.03  |
|                            | 220,000            | E36D160HPN224MD79M  | 2.500 × 3.125                     | D79            | 8.7                              | 12.59  |
|                            | 390,000            | E36D160HPN394MDA5M  | 2.500 × 4.125                     | DA5            | 6.3                              | 18.91  |
|                            | 470,000            | E36D160HPN474MDB7M  | 2.500 × 4.625                     | DB7            | 5.7                              | 20.24  |
|                            | 560,000            | E36D160HPN564MDE3M  | 2.500 × 5.625                     | DE3            | 4.9                              | 24.15  |
|                            | 470,000            | E36D160HPN474ME92M  | 3.000 × 3.625                     | E92            | 8.7                              | 19.11  |
|                            | 560,000            | E36D160HPN564MEA5M  | 3.000 × 4.125                     | EA5            | 7.5                              | 22.05  |
|                            | 680,000            | E36D160HPN684MEB7M  | 3.000 × 4.625                     | EB7            | 6.3                              | 22.91  |
|                            | 820,000            | E36D160HPN824MEE3M  | 3.000 × 5.625                     | EE3            | 5.6                              | 25.28  |
| 1,200,000                  | E36D160HPN125MEN0M | 3.000 × 8.625       | EN0                               | 3.9            | 34.52                            |  |
| 25 Volts<br>32 Volts Surge | 15,000             | E36D250HPN153MA41M  | 1.375 × 1.625                     | A41            | 44.0                             | 3.05   |
|                            | 27,000             | E36D250HPN273MA54M  | 1.375 × 2.125                     | A54            | 25.7                             | 4.38   |
|                            | 39,000             | E36D250HPN393MA67M  | 1.375 × 2.625                     | A67            | 18.7                             | 5.50   |
|                            | 47,000             | E36D250HPN473MA79M  | 1.375 × 3.125                     | A79            | 15.7                             | 6.49   |
|                            | 56,000             | E36D250HPN563MA92M  | 1.375 × 3.625                     | A92            | 13.5                             | 7.60   |
|                            | 68,000             | E36D250HPN683MAA5M  | 1.375 × 4.125                     | AA5            | 11.6                             | 8.89   |
|                            | 82,000             | E36D250HPN823MAB7M  | 1.375 × 4.625                     | AB7            | 10.2                             | 9.99   |
|                            | 100,000            | E36D250HPN104MAE3M  | 1.375 × 5.625                     | AE3            | 8.8                              | 12.12  |
|                            | 39,000             | E36D250HPN393MC48M  | 2.000 × 1.875                     | C48            | 21.7                             | 5.66   |
|                            | 47,000             | E36D250HPN473MC54M  | 2.000 × 2.125                     | C54            | 17.2                             | 6.52   |
|                            | 82,000             | E36D250HPN823MC67M  | 2.000 × 2.625                     | C67            | 12.2                             | 9.15   |
|                            | 100,000            | E36D250HPN104MC79M  | 2.000 × 3.125                     | C79            | 9.2                              | 10.84  |
|                            | 150,000            | E36D250HPN154MCA5M  | 2.000 × 4.125                     | CA5            | 6.7                              | 13.66  |
|                            | 180,000            | E36D250HPN184MCB7M  | 2.000 × 4.625                     | CB7            | 5.9                              | 15.71  |
|                            | 220,000            | E36D250HPN224MCE3M  | 2.000 × 5.625                     | CE3            | 5.1                              | 19.03  |
|                            | 180,000            | E36D250HPN184MD79M  | 2.500 × 3.125                     | D79            | 8.7                              | 13.34  |
|                            | 270,000            | E36D250HPN274MDA5M  | 2.500 × 4.125                     | DA5            | 6.3                              | 18.44  |
|                            | 330,000            | E36D250HPN334MDB7M  | 2.500 × 4.625                     | DB7            | 5.7                              | 20.39  |
|                            | 390,000            | E36D250HPN394MDE3M  | 2.500 × 5.625                     | DE3            | 5.0                              | 24.24  |
|                            | 330,000            | E36D250HPN334ME92M  | 3.000 × 3.625                     | E92            | 8.2                              | 19.61  |
| 390,000                    | E36D250HPN394MEA5M | 3.000 × 4.125       | EA5                               | 7.8            | 22.54                            |  |
| 470,000                    | E36D250HPN474MEB7M | 3.000 × 4.625       | EB7                               | 6.4            | 24.52                            |  |
| 560,000                    | E36D250HPN564MEE3M | 3.000 × 5.625       | EE3                               | 5.7            | 26.73                            |  |
| 820,000                    | E36D250HPN824MEN0M | 3.000 × 8.625       | EN0                               | 3.9            | 38.03                            |  |
| 35 Volts<br>44 Volts Surge | 10,000             | E36D350HPN103MA41M  | 1.375 × 1.625                     | A41            | 47.1                             | 2.57   |
|                            | 18,000             | E36D350HPN103MA54M  | 1.375 × 2.125                     | A54            | 27.4                             | 3.70   |
|                            | 27,000             | E36D350HPN103MA67M  | 1.375 × 2.625                     | A67            | 19.3                             | 4.73   |
|                            | 33,000             | E36D350HPN103MA79M  | 1.375 × 3.125                     | A79            | 16.1                             | 5.63   |
|                            | 39,000             | E36D350HPN103MA92M  | 1.375 × 3.625                     | A92            | 13.9                             | 6.56   |
|                            | 47,000             | E36D350HPN103MAA5M  | 1.375 × 4.125                     | AA5            | 12.0                             | 7.65   |
|                            | 56,000             | E36D350HPN103MAB7M  | 1.375 × 4.625                     | AB7            | 10.6                             | 8.54   |
|                            | 68,000             | E36D350HPN103MAD0M  | 1.375 × 5.125                     | AD0            | 10.3                             | 9.89   |
|                            | 22,000             | E36D350HPN223MC48M  | 2.000 × 1.875                     | C48            | 22.4                             | 4.32   |
|                            | 33,000             | E36D350HPN333MC54M  | 2.000 × 2.125                     | C54            | 17.7                             | 5.55   |
|                            | 56,000             | E36D350HPN563MC67M  | 2.000 × 2.625                     | C67            | 12.5                             | 7.68   |
|                            | 68,000             | E36D350HPN683MC79M  | 2.000 × 3.125                     | C79            | 9.5                              | 9.08   |
|                            | 100,000            | E36D350HPN104MC92M  | 2.000 × 3.625                     | C92            | 8.0                              | 11.09  |
|                            | 120,000            | E36D350HPN124MCB7M  | 2.000 × 4.625                     | CB7            | 6.1                              | 12.83  |
|                            | 150,000            | E36D350HPN154MCE3M  | 2.000 × 5.625                     | CE3            | 5.9                              | 15.04  |
|                            | 120,000            | E36D350HPN124MD79M  | 2.500 × 3.125                     | D79            | 9.1                              | 11.34  |
|                            | 180,000            | E36D350HPN184MDA5M  | 2.500 × 4.125                     | DA5            | 6.7                              | 15.68  |
|                            | 220,000            | E36D350HPN224MDB7M  | 2.500 × 4.625                     | DB7            | 5.8                              | 18.17  |
|                            | 270,000            | E36D350HPN274MDE3M  | 2.500 × 5.625                     | DE3            | 5.0                              | 22.01  |

† For terminal, mounting and construction options, refer to the part numbering system for descriptions and codes.

\* Refer to diagram of dimensions for detailed case size specifications.

# U36D Series

## Standard Voltage Ratings - Screw Terminals

| Rated Voltage (WVDC)               | Capacitance (µF)   | Global Part Number† | Nominal Case Size* D × L (inches) | Case Size Code | Maximum ESR (mΩ) at +25°C, 120Hz | Rated Ripple Current (A rms) at +85°C, 120Hz |
|------------------------------------|--------------------|---------------------|-----------------------------------|----------------|----------------------------------|--|
| <b>35 Volts<br/>44 Volts Surge</b> | 220,000            | E36D350HPN224ME92M  | 3.000 × 3.625                     | E92            | 8.9                              | 16.73  |
|                                    | 270,000            | E36D350HPN274MEA5M  | 3.000 × 4.125                     | EA5            | 7.8                              | 19.58  |
|                                    | 330,000            | E36D350HPN334MED0M  | 3.000 × 5.125                     | ED0            | 6.0                              | 22.72  |
|                                    | 390,000            | E36D350HPN394MEE3M  | 3.000 × 5.625                     | EE3            | 5.7                              | 24.75  |
|                                    | 560,000            | E36D350HPN564MEN0M  | 3.000 × 8.625                     | EN0            | 3.9                              | 35.94  |
| <b>50 Volts<br/>63 Volts Surge</b> | 6,800              | E36D500HPN682MA41M  | 1.375 × 1.625                     | A41            | 48.8                             | 3.10   |
|                                    | 12,000             | E36D500HPN123MA54M  | 1.375 × 2.125                     | A54            | 28.7                             | 4.34   |
|                                    | 18,000             | E36D500HPN183MA67M  | 1.375 × 2.625                     | A67            | 22.8                             | 5.40   |
|                                    | 22,000             | E36D500HPN223MA79M  | 1.375 × 3.125                     | A79            | 16.8                             | 6.39   |
|                                    | 27,000             | E36D500HPN273MA92M  | 1.375 × 3.625                     | A92            | 14.2                             | 7.47   |
|                                    | 33,000             | E36D500HPN333MAA5M  | 1.375 × 4.125                     | AA5            | 12.1                             | 8.57   |
|                                    | 39,000             | E36D500HPN393MAB7M  | 1.375 × 4.625                     | AB7            | 11.8                             | 9.34   |
|                                    | 47,000             | E36D500HPN473MAE3M  | 1.375 × 5.625                     | AE3            | 9.3                              | 11.03  |
|                                    | 15,000             | E36D500HPN153MC48M  | 2.000 × 1.875                     | C48            | 25.4                             | 5.13   |
|                                    | 22,000             | E36D500HPN223MC54M  | 2.000 × 2.125                     | C54            | 18.4                             | 6.42   |
|                                    | 33,000             | E36D500HPN333MC67M  | 2.000 × 2.625                     | C67            | 12.8                             | 8.20   |
|                                    | 47,000             | E36D500HPN473MC79M  | 2.000 × 3.125                     | C79            | 9.7                              | 10.09  |
|                                    | 56,000             | E36D500HPN563MC92M  | 2.000 × 3.625                     | C92            | 8.3                              | 11.90  |
|                                    | 68,000             | E36D500HPN683MCA5M  | 2.000 × 4.125                     | CA5            | 7.1                              | 13.36  |
|                                    | 82,000             | E36D500HPN823MCB7M  | 2.000 × 4.625                     | CB7            | 6.3                              | 15.20  |
|                                    | 100,000            | E36D500HPN104MCE3M  | 2.000 × 5.625                     | CE3            | 5.4                              | 17.99  |
|                                    | 68,000             | E36D500HPN683MD79M  | 2.500 × 3.125                     | D79            | 9.0                              | 12.06  |
|                                    | 120,000            | E36D500HPN124MDA5M  | 2.500 × 4.125                     | DA5            | 6.6                              | 15.71  |
|                                    | 150,000            | E36D500HPN154MDB7M  | 2.500 × 4.625                     | DB7            | 5.9                              | 17.81  |
|                                    | 180,000            | E36D500HPN184MDE3M  | 2.500 × 5.625                     | DE3            | 5.0                              | 20.74  |
|                                    | 120,000            | E36D500HPN124ME92M  | 3.000 × 3.625                     | E92            | 8.3                              | 14.86  |
|                                    | 150,000            | E36D500HPN154MEA5M  | 3.000 × 4.125                     | EA5            | 7.3                              | 16.74  |
| 180,000                            | E36D500HPN184MEB7M | 3.000 × 4.625       | EB7                               | 6.6            | 18.42                            |  |
| 220,000                            | E36D500HPN224MED0M | 3.000 × 5.125       | ED0                               | 6.2            | 20.04                            |  |
| 390,000                            | E36D500HPN394MEN0M | 3.000 × 8.625       | EN0                               | 4.0            | 31.15                            |  |
| <b>63 Volts<br/>79 Volts Surge</b> | 4,700              | E36D630HPN472MA41M  | 1.375 × 1.625                     | A41            | 52.8                             | 2.99   |
|                                    | 8,200              | E36D630HPN472MA54M  | 1.375 × 2.125                     | A54            | 31.2                             | 4.17   |
|                                    | 12,000             | E36D630HPN472MA67M  | 1.375 × 2.625                     | A67            | 22.2                             | 5.17   |
|                                    | 15,000             | E36D630HPN472MA79M  | 1.375 × 3.125                     | A79            | 18.2                             | 6.15   |
|                                    | 18,000             | E36D630HPN472MA92M  | 1.375 × 3.625                     | A92            | 15.5                             | 7.14   |
|                                    | 22,000             | E36D630HPN472MAA5M  | 1.375 × 4.125                     | AA5            | 13.2                             | 8.22   |
|                                    | 27,000             | E36D630HPN472MAD0M  | 1.375 × 5.125                     | AD0            | 11.1                             | 9.64   |
|                                    | 33,000             | E36D630HPN472MAE3M  | 1.375 × 5.625                     | AE3            | 9.7                              | 10.75  |
|                                    | 12,000             | E36D630HPN123MC48M  | 2.000 × 1.875                     | C48            | 25.2                             | 5.24   |
|                                    | 15,000             | E36D630HPN153MC54M  | 2.000 × 2.125                     | C54            | 19.8                             | 6.21   |
|                                    | 22,000             | E36D630HPN223MC67M  | 2.000 × 2.625                     | C67            | 13.8                             | 7.91   |
|                                    | 33,000             | E36D630HPN333MC79M  | 2.000 × 3.125                     | C79            | 11.2                             | 9.85   |
|                                    | 39,000             | E36D630HPN393MC92M  | 2.000 × 3.625                     | C92            | 8.7                              | 11.62  |
|                                    | 47,000             | E36D630HPN473MCA5M  | 2.000 × 4.125                     | CA5            | 7.5                              | 13.01  |
|                                    | 56,000             | E36D630HPN563MCB7M  | 2.000 × 4.625                     | CB7            | 6.7                              | 14.74  |
|                                    | 68,000             | E36D630HPN683MCE3M  | 2.000 × 5.625                     | CE3            | 5.7                              | 17.51  |
|                                    | 47,000             | E36D630HPN473MD79M  | 2.500 × 3.125                     | D79            | 9.3                              | 11.86  |
|                                    | 82,000             | E36D630HPN823MDA5M  | 2.500 × 4.125                     | DA5            | 6.8                              | 15.60  |
|                                    | 100,000            | E36D630HPN104MDB7M  | 2.500 × 4.625                     | DB7            | 6.0                              | 17.66  |
|                                    | 120,000            | E36D630HPN124MDE3M  | 2.500 × 5.625                     | DE3            | 5.2                              | 20.55  |
|                                    | 100,000            | E36D630HPN104ME92M  | 3.000 × 3.625                     | E92            | 9.1                              | 14.20  |
|                                    | 120,000            | E36D630HPN124MEA5M  | 3.000 × 4.125                     | EA5            | 7.9                              | 16.10  |
| 150,000                            | E36D630HPN154MED0M | 3.000 × 5.125       | ED0                               | 6.2            | 19.88                            |  |
| 180,000                            | E36D630HPN184MEE3M | 3.000 × 5.625       | EE3                               | 5.9            | 21.42                            |  |
| 270,000                            | E36D630HPN274MEN0M | 3.000 × 8.625       | EN0                               | 4.1            | 31.94                            |  |

† For terminal, mounting and construction options, refer to the part numbering system for descriptions and codes.

\* Refer to diagram of dimensions for detailed case size specifications.

LARGE CAN 85°C  
U36D



# U36D Series

## Standard Voltage Ratings - Screw Terminals

| Rated Voltage (WVDC)                | Capacitance (µF)   | Global Part Number† | Nominal Case Size* D × L (inches) | Case Size Code | Maximum ESR (mΩ) at +25°C, 120Hz | Rated Ripple Current (A rms) at +85°C, 120Hz |
|-------------------------------------|--------------------|---------------------|-----------------------------------|----------------|----------------------------------|--|
| <b>80 Volts</b><br>100 Volts Surge  | 2,700              | E36D800HPN272MA41M  | 1.375 × 1.625                     | A41            | 61.9                             | 2.77   |
|                                     | 4,700              | E36D800HPN472MA54M  | 1.375 × 2.125                     | A54            | 36.4                             | 3.87   |
|                                     | 5,600              | E36D800HPN562MA67M  | 1.375 × 2.625                     | A67            | 30.0                             | 4.44   |
|                                     | 8,200              | E36D800HPN822MA79M  | 1.375 × 3.125                     | A79            | 21.7                             | 5.65   |
|                                     | 10,000             | E36D800HPN103MA92M  | 1.375 × 3.625                     | A92            | 18.2                             | 6.60   |
|                                     | 12,000             | E36D800HPN123MAA5M  | 1.375 × 4.125                     | AA5            | 15.6                             | 7.56   |
|                                     | 15,000             | E36D800HPN153MAD0M  | 1.375 × 5.125                     | AD0            | 12.9                             | 8.93   |
|                                     | 18,000             | E36D800HPN183MAE3M  | 1.375 × 5.625                     | AE3            | 12.8                             | 9.99   |
|                                     | 5,600              | E36D800HPN562MC48M  | 2.000 × 1.875                     | C48            | 32.5                             | 4.62   |
|                                     | 8,200              | E36D800HPN822MC54M  | 2.000 × 2.125                     | C54            | 23.2                             | 5.59   |
|                                     | 12,000             | E36D800HPN123MC67M  | 2.000 × 2.625                     | C67            | 16.1                             | 7.32   |
|                                     | 18,000             | E36D800HPN183MC79M  | 2.000 × 3.125                     | C79            | 13.0                             | 9.22   |
|                                     | 22,000             | E36D800HPN223MC92M  | 2.000 × 3.625                     | C92            | 9.8                              | 10.95  |
|                                     | 27,000             | E36D800HPN273MCA5M  | 2.000 × 4.125                     | CA5            | 9.8                              | 12.39  |
|                                     | 33,000             | E36D800HPN333MCB7M  | 2.000 × 4.625                     | CB7            | 8.0                              | 14.12  |
|                                     | 39,000             | E36D800HPN393MCE3M  | 2.000 × 5.625                     | CE3            | 6.3                              | 16.65  |
|                                     | 27,000             | E36D800HPN273MD79M  | 2.500 × 3.125                     | D79            | 10.1                             | 11.34  |
|                                     | 39,000             | E36D800HPN393MDA5M  | 2.500 × 4.125                     | DA5            | 7.4                              | 15.07  |
|                                     | 56,000             | E36D800HPN563MDD0M  | 2.500 × 5.125                     | DD0            | 5.9                              | 18.51  |
|                                     | 47,000             | E36D800HPN473ME92M  | 3.000 × 3.625                     | E92            | 8.7                              | 14.52  |
| 56,000                              | E36D800HPN563MEA5M | 3.000 × 4.125       | EA5                               | 7.5            | 16.51                            |  |
| 68,000                              | E36D800HPN683MEB7M | 3.000 × 4.625       | EB7                               | 6.7            | 18.28                            |  |
| 82,000                              | E36D800HPN823MED0M | 3.000 × 5.125       | ED0                               | 6.2            | 19.88                            |  |
| 100,000                             | E36D800HPN104MEE3M | 3.000 × 5.625       | EE3                               | 5.5            | 21.42                            |  |
| 120,000                             | E36D800HPN124MEN0M | 3.000 × 8.625       | EN0                               | 4.1            | 31.53                            |  |
| <b>100 Volts</b><br>125 Volts Surge | 1,800              | E36D101HPN182MA41M  | 1.375 × 1.625                     | A41            | 72.1                             | 2.57   |
|                                     | 2,700              | E36D101HPN272MA54M  | 1.375 × 2.125                     | A54            | 47.5                             | 3.39   |
|                                     | 3,900              | E36D101HPN392MA67M  | 1.375 × 2.625                     | A67            | 33.6                             | 4.21   |
|                                     | 4,700              | E36D101HPN472MA79M  | 1.375 × 3.125                     | A79            | 28.1                             | 4.97   |
|                                     | 5,600              | E36D101HPN562MA92M  | 1.375 × 3.625                     | A92            | 23.6                             | 6.22   |
|                                     | 8,200              | E36D101HPN822MAB7M  | 1.375 × 4.625                     | AB7            | 17.2                             | 7.39   |
|                                     | 10,000             | E36D101HPN103MAD0M  | 1.375 × 5.125                     | AD0            | 14.7                             | 8.41   |
|                                     | 3,900              | E36D101HPN392MC48M  | 2.000 × 1.875                     | C48            | 36.4                             | 4.38   |
|                                     | 5,600              | E36D101HPN562MC54M  | 2.000 × 2.125                     | C54            | 26.2                             | 5.41   |
|                                     | 8,200              | E36D101HPN822MC67M  | 2.000 × 2.625                     | C67            | 18.2                             | 6.92   |
|                                     | 10,000             | E36D101HPN103MC79M  | 2.000 × 3.125                     | C79            | 14.8                             | 8.23   |
|                                     | 15,000             | E36D101HPN153MC92M  | 2.000 × 3.625                     | C92            | 12.5                             | 10.38  |
|                                     | 18,000             | E36D101HPN183MCB7M  | 2.000 × 4.625                     | CB7            | 9.0                              | 12.65  |
|                                     | 22,000             | E36D101HPN223MCD0M  | 2.000 × 5.125                     | CD0            | 7.8                              | 14.15  |
|                                     | 27,000             | E36D101HPN273MCE3M  | 2.000 × 5.625                     | CE3            | 7.6                              | 15.91  |
|                                     | 18,000             | E36D101HPN183MD79M  | 2.500 × 3.125                     | D79            | 11.2                             | 10.83  |
|                                     | 27,000             | E36D101HPN273MDA5M  | 2.500 × 4.125                     | DA5            | 8.0                              | 14.41  |
|                                     | 33,000             | E36D101HPN333MDB7M  | 2.500 × 4.625                     | DB7            | 7.1                              | 16.47  |
|                                     | 39,000             | E36D101HPN393MDE3M  | 2.500 × 5.625                     | DE3            | 6.0                              | 19.15  |
|                                     | 33,000             | E36D101HPN333ME92M  | 3.000 × 3.625                     | E92            | 9.3                              | 14.05  |
| 39,000                              | E36D101HPN393MEA5M | 3.000 × 4.125       | EA5                               | 8.0            | 16.00                            |  |
| 47,000                              | E36D101HPN473MEB7M | 3.000 × 4.625       | EB7                               | 7.2            | 17.65                            |  |
| 56,000                              | E36D101HPN563MED0M | 3.000 × 5.125       | ED0                               | 6.6            | 19.42                            |  |
| 82,000                              | E36D101HPN823MEN0M | 3.000 × 8.625       | EN0                               | 4.3            | 30.41                            |  |
| <b>160 Volts</b><br>200 Volts Surge | 820                | E36D161HPN821MA41M  | 1.375 × 1.625                     | A41            | 202.0                            | 1.95   |
|                                     | 1,500              | E36D161HPN152MA54M  | 1.375 × 2.125                     | A54            | 110.0                            | 2.83   |
|                                     | 2,200              | E36D161HPN222MA67M  | 1.375 × 2.625                     | A67            | 76.9                             | 3.57   |
|                                     | 2,700              | E36D161HPN272MA79M  | 1.375 × 3.125                     | A79            | 57.4                             | 4.26   |
|                                     | 3,300              | E36D161HPN332MA92M  | 1.375 × 3.625                     | A92            | 51.1                             | 5.05   |
|                                     | 3,900              | E36D161HPN392MAA5M  | 1.375 × 4.125                     | AA5            | 43.6                             | 5.83   |
|                                     | 4,700              | E36D161HPN472MAB7M  | 1.375 × 4.625                     | AB7            | 36.7                             | 6.55   |
|                                     | 5,600              | E36D161HPN562MAE3M  | 1.375 × 5.625                     | AE3            | 31.0                             | 7.85   |

† For terminal, mounting and construction options, refer to the part numbering system for descriptions and codes.

\* Refer to diagram of dimensions for detailed case size specifications.

# U36D Series

## Standard Voltage Ratings - Screw Terminals

| Rated Voltage (WVDC)         | Capacitance (µF)   | Global Part Number† | Nominal Case Size* D × L (inches) | Case Size Code | Maximum ESR (mΩ) at +25°C, 120Hz | Rated Ripple Current (A rms) at +85°C, 120Hz |
|------------------------------|--------------------|---------------------|-----------------------------------|----------------|----------------------------------|--|
| 160 Volts<br>200 Volts Surge | 2,200              | E36D161HPN222MC48M  | 2.000 × 1.875                     | C48            | 80.9                             | 3.86   |
|                              | 2,700              | E36D161HPN272MC54M  | 2.000 × 2.125                     | C54            | 64.7                             | 4.49   |
|                              | 3,900              | E36D161HPN392MC67M  | 2.000 × 2.625                     | C67            | 44.7                             | 5.73   |
|                              | 5,600              | E36D161HPN562MC79M  | 2.000 × 3.125                     | C79            | 31.8                             | 7.37   |
|                              | 8,200              | E36D161HPN822MC92M  | 2.000 × 3.625                     | C92            | 22.4                             | 9.53   |
|                              | 10,000             | E36D161HPN103MCB7M  | 2.000 × 4.625                     | CB7            | 18.4                             | 11.71  |
|                              | 12,000             | E36D161HPN123MCD0M  | 2.000 × 5.125                     | CD0            | 15.9                             | 13.46  |
|                              | 10,000             | E36D161HPN103MD79M  | 2.500 × 3.125                     | D79            | 21.5                             | 11.23  |
|                              | 15,000             | E36D161HPN153MDA5M  | 2.500 × 4.125                     | DA5            | 14.9                             | 15.52  |
|                              | 18,000             | E36D161HPN183MDB7M  | 2.500 × 4.625                     | DB7            | 12.5                             | 17.82  |
|                              | 22,000             | E36D161HPN223MDE3M  | 2.500 × 5.625                     | DE3            | 10.6                             | 21.54  |
|                              | 18,000             | E36D161HPN183ME92M  | 3.000 × 3.625                     | E92            | 15.2                             | 17.74  |
|                              | 22,000             | E36D161HPN223MEA5M  | 3.000 × 4.125                     | EA5            | 12.9                             | 20.73  |
|                              | 27,000             | E36D161HPN273MED0M  | 3.000 × 5.125                     | ED0            | 10.3                             | 25.17  |
|                              | 33,000             | E36D161HPN333MEE3M  | 3.000 × 5.625                     | EE3            | 9.2                              | 29.02  |
| 47,000                       | E36D161HPN473MEN0M | 3.000 × 8.625       | EN0                               | 6.7            | 41.98                            |  |
| 200 Volts<br>250 Volts Surge | 680                | E36D201HPN681MA41M  | 1.375 × 1.625                     | A41            | 205.0                            | 1.78   |
|                              | 1,000              | E36D201HPN102MA54M  | 1.375 × 2.125                     | A54            | 137.0                            | 2.31   |
|                              | 1,500              | E36D201HPN152MA67M  | 1.375 × 2.625                     | A67            | 92.0                             | 2.95   |
|                              | 1,800              | E36D201HPN182MA79M  | 1.375 × 3.125                     | A79            | 76.6                             | 3.48   |
|                              | 2,200              | E36D201HPN222MA92M  | 1.375 × 3.625                     | A92            | 63.0                             | 4.12   |
|                              | 2,700              | E36D201HPN272MAA5M  | 1.375 × 4.125                     | AA5            | 51.8                             | 4.85   |
|                              | 3,300              | E36D201HPN332MAB7M  | 1.375 × 4.625                     | AB7            | 43.0                             | 5.49   |
|                              | 3,900              | E36D201HPN392MAD0M  | 1.375 × 5.125                     | AD0            | 36.8                             | 6.27   |
|                              | 1,500              | E36D201HPN152MC48M  | 2.000 × 1.875                     | C48            | 97.1                             | 3.19   |
|                              | 2,200              | E36D201HPN222MC54M  | 2.000 × 2.125                     | C54            | 67.0                             | 4.05   |
|                              | 3,300              | E36D201HPN332MC67M  | 2.000 × 2.625                     | C67            | 44.8                             | 5.27   |
|                              | 3,900              | E36D201HPN392MC79M  | 2.000 × 3.125                     | C79            | 37.4                             | 6.15   |
|                              | 5,600              | E36D201HPN562MC92M  | 2.000 × 3.625                     | C92            | 26.6                             | 7.87   |
|                              | 8,200              | E36D201HPN822MCB7M  | 2.000 × 4.625                     | CB7            | 18.9                             | 10.60  |
|                              | 10,000             | E36D201HPN103MCE3M  | 2.000 × 5.625                     | CE3            | 15.7                             | 12.83  |
|                              | 6,800              | E36D201HPN682MD79M  | 2.500 × 3.125                     | D79            | 24.9                             | 9.26   |
|                              | 10,000             | E36D201HPN103MDA5M  | 2.500 × 4.125                     | DA5            | 17.3                             | 12.67  |
|                              | 12,000             | E36D201HPN123MDB7M  | 2.500 × 4.625                     | DB7            | 14.5                             | 14.55  |
|                              | 15,000             | E36D201HPN153MDE3M  | 2.500 × 5.625                     | DE3            | 12.1                             | 17.79  |
|                              | 12,000             | E36D201HPN123ME92M  | 3.000 × 3.625                     | E92            | 17.0                             | 14.49  |
| 15,000                       | E36D201HPN153MEA5M | 3.000 × 4.125       | EA5                               | 14.3           | 17.12                            |  |
| 18,000                       | E36D201HPN183MEB7M | 3.000 × 4.625       | EB7                               | 12.4           | 19.64                            |  |
| 22,000                       | E36D201HPN223MED0M | 3.000 × 5.125       | ED0                               | 10.8           | 22.72                            |  |
| 33,000                       | E36D201HPN333MEN0M | 3.000 × 8.625       | EN0                               | 7.3            | 35.17                            |  |
| 250 Volts<br>300 Volts Surge | 470                | E36D251HPN471MA41M  | 1.375 × 1.625                     | A41            | 271.2                            | 1.48   |
|                              | 820                | E36D251HPN821MA54M  | 1.375 × 2.125                     | A54            | 154.3                            | 2.09   |
|                              | 1,200              | E36D251HPN122MA67M  | 1.375 × 2.625                     | A67            | 105.8                            | 2.64   |
|                              | 1,500              | E36D251HPN152MA79M  | 1.375 × 3.125                     | A79            | 84.7                             | 3.18   |
|                              | 1,800              | E36D251HPN182MA92M  | 1.375 × 3.625                     | A92            | 70.8                             | 3.73   |
|                              | 2,200              | E36D251HPN222MAA5M  | 1.375 × 4.125                     | AA5            | 58.4                             | 4.38   |
|                              | 2,700              | E36D251HPN272MAD0M  | 1.375 × 4.625                     | AD0            | 47.8                             | 5.21   |
|                              | 3,300              | E36D251HPN332MAE3M  | 1.375 × 5.625                     | AE3            | 39.8                             | 6.03   |
|                              | 1,200              | E36D251HPN122MC48M  | 2.000 × 1.875                     | C48            | 111.5                            | 2.85   |
|                              | 1,500              | E36D251HPN152MC54M  | 2.000 × 2.125                     | C54            | 87.9                             | 3.34   |
|                              | 2,200              | E36D251HPN222MC67M  | 2.000 × 2.625                     | C67            | 59.8                             | 4.31   |
|                              | 3,300              | E36D251HPN332MC79M  | 2.000 × 3.125                     | C79            | 40.8                             | 5.66   |
|                              | 3,900              | E36D251HPN392MC92M  | 2.000 × 3.625                     | C92            | 34.4                             | 6.57   |
|                              | 4,700              | E36D251HPN472MCA5M  | 2.000 × 4.125                     | CA5            | 28.8                             | 7.65   |
|                              | 5,600              | E36D251HPN562MCB7M  | 2.000 × 4.625                     | CB7            | 24.5                             | 8.76   |
|                              | 6,800              | E36D251HPN682MCE3M  | 2.000 × 5.625                     | CE3            | 20.3                             | 10.58  |
|                              | 4,700              | E36D251HPN472MD79M  | 2.500 × 3.125                     | D79            | 31.0                             | 7.70   |
|                              | 8,200              | E36D251HPN822MDA5M  | 2.500 × 4.125                     | DA5            | 19.2                             | 11.47  |

† For terminal, mounting and construction options, refer to the part numbering system for descriptions and codes.

\* Refer to diagram of dimensions for detailed case size specifications.

LARGE CAN 85°C  
U36D

# U36D Series

## Standard Voltage Ratings - Screw Terminals

| Rated Voltage (WVDC)                 | Capacitance (µF)   | Global Part Number† | Nominal Case Size* D × L (inches) | Case Size Code | Maximum ESR (mΩ) at +25°C, 120Hz | Rated Ripple Current (A rms) at +85°C, 120Hz |
|--------------------------------------|--------------------|---------------------|-----------------------------------|----------------|----------------------------------|--|
| <b>250 Volts<br/>300 Volts Surge</b> | 10,000             | E36D251HPN103MDB7M  | 2.500 × 4.625                     | DB7            | 18.4                             | 13.28  |
|                                      | 12,000             | E36D251HPN123MDE3M  | 2.500 × 5.625                     | DE3            | 13.6                             | 15.91  |
|                                      | 10,000             | E36D251HPN103ME92M  | 3.000 × 3.625                     | E92            | 18.8                             | 13.22  |
|                                      | 12,000             | E36D251HPN123MEA5M  | 3.000 × 4.125                     | EA5            | 15.9                             | 15.31  |
|                                      | 15,000             | E36D251HPN153MED0M  | 3.000 × 5.125                     | ED0            | 12.6                             | 18.76  |
|                                      | 18,000             | E36D251HPN183MEE3M  | 3.000 × 5.625                     | EE3            | 11.2                             | 21.43  |
|                                      | 27,000             | E36D251HPN273MEN0M  | 3.000 × 8.625                     | EN0            | 7.7                              | 31.82  |
| <b>315 Volts<br/>365 Volts Surge</b> | 390                | E36D3B1HPN391MA54M  | 1.375 × 2.125                     | A54            | 513.0                            | 1.44   |
|                                      | 560                | E36D3B1HPN391MA67M  | 1.375 × 2.625                     | A67            | 356.0                            | 1.80   |
|                                      | 820                | E36D3B1HPN821MA79M  | 1.375 × 3.125                     | A79            | 243.0                            | 2.35   |
|                                      | 1,000              | E36D3B1HPN102MA92M  | 1.375 × 3.625                     | A92            | 200.0                            | 2.78   |
|                                      | 1,200              | E36D3B1HPN122MAB7M  | 1.375 × 4.625                     | AB7            | 166.0                            | 3.31   |
|                                      | 1,500              | E36D3B1HPN152MAD0M  | 1.375 × 5.125                     | AD0            | 133.0                            | 3.89   |
|                                      | 560                | E36D3B1HPN561MC48M  | 2.000 × 1.875                     | C48            | 366.0                            | 1.95   |
|                                      | 820                | E36D3B1HPN821MC54M  | 2.000 × 2.125                     | C54            | 248.0                            | 2.47   |
|                                      | 1,200              | E36D3B1HPN122MC67M  | 2.000 × 2.625                     | C67            | 168.0                            | 3.18   |
|                                      | 1,500              | E36D3B1HPN152MC79M  | 2.000 × 3.125                     | C79            | 134.0                            | 3.81   |
|                                      | 2,200              | E36D3B1HPN222MC92M  | 2.000 × 3.625                     | C92            | 92.0                             | 4.94   |
|                                      | 2,700              | E36D3B1HPN272MCB7M  | 2.000 × 4.625                     | CB7            | 74.9                             | 6.09   |
|                                      | 3,300              | E36D3B1HPN332MCD0M  | 2.000 × 5.125                     | CD0            | 61.8                             | 7.06   |
|                                      | 3,900              | E36D3B1HPN392MCE3M  | 2.000 × 5.625                     | CE3            | 52.5                             | 8.01   |
|                                      | 2,700              | E36D3B1HPN272MD79M  | 2.500 × 3.125                     | D79            | 77.5                             | 5.83   |
|                                      | 3,900              | E36D3B1HPN392MDA5M  | 2.500 × 4.125                     | DA5            | 53.8                             | 7.91   |
|                                      | 4,700              | E36D3B1HPN472MDB7M  | 2.500 × 4.625                     | DB7            | 44.7                             | 9.11   |
|                                      | 5,600              | E36D3B1HPN562MDD0M  | 2.500 × 5.125                     | DD0            | 38.1                             | 10.41  |
|                                      | 4,700              | E36D3B1HPN472ME92M  | 3.000 × 3.625                     | E92            | 46.8                             | 9.07   |
|                                      | 5,600              | E36D3B1HPN562MEA5M  | 3.000 × 4.125                     | EA5            | 39.4                             | 10.46  |
| 6,800                                | E36D3B1HPN682MEB7M | 3.000 × 4.625       | EB7                               | 32.9           | 12.07                            |  |
| 8,200                                | E36D3B1HPN822MED0M | 3.000 × 5.125       | ED0                               | 27.8           | 13.87                            |  |
| 15,000                               | E36D3B1HPN153MEN0M | 3.000 × 8.625       | EN0                               | 15.9           | 23.71                            |  |
| <b>350 Volts<br/>400 Volts Surge</b> | 220                | E36D351HPN221MA41M  | 1.375 × 1.625                     | A41            | 887.0                            | 1.17   |
|                                      | 330                | E36D351HPN331MA54M  | 1.375 × 2.125                     | A54            | 545.0                            | 1.53   |
|                                      | 470                | E36D351HPN471MA67M  | 1.375 × 2.625                     | A67            | 379.0                            | 1.91   |
|                                      | 680                | E36D351HPN681MA79M  | 1.375 × 3.125                     | A79            | 262.0                            | 2.47   |
|                                      | 820                | E36D351HPN821MA92M  | 1.375 × 3.625                     | A92            | 217.0                            | 2.91   |
|                                      | 1,000              | E36D351HPN102MAA5M  | 1.375 × 4.125                     | AA5            | 178.0                            | 3.41   |
|                                      | 1,200              | E36D351HPN122MAD0M  | 1.375 × 5.125                     | AD0            | 148.0                            | 4.01   |
|                                      | 470                | E36D351HPN471MC48M  | 2.000 × 1.875                     | C48            | 390.0                            | 2.06   |
|                                      | 680                | E36D351HPN681MC54M  | 2.000 × 2.125                     | C54            | 267.0                            | 2.60   |
|                                      | 1,000              | E36D351HPN102MC67M  | 2.000 × 2.625                     | C67            | 180.0                            | 3.35   |
|                                      | 1,200              | E36D351HPN122MC79M  | 2.000 × 3.125                     | C79            | 149.0                            | 3.94   |
|                                      | 1,800              | E36D351HPN182MC92M  | 2.000 × 3.625                     | C92            | 100.0                            | 5.15   |
|                                      | 2,200              | E36D351HPN222MCA5M  | 2.000 × 4.125                     | CA5            | 82.5                             | 6.04   |
|                                      | 2,700              | E36D351HPN272MCB7M  | 2.000 × 4.625                     | CB7            | 67.3                             | 7.03   |
|                                      | 3,300              | E36D351HPN332MCE3M  | 2.000 × 5.625                     | CE3            | 55.3                             | 8.51   |
|                                      | 2,200              | E36D351HPN222MD79M  | 2.500 × 3.125                     | D79            | 84.5                             | 6.08   |
|                                      | 3,300              | E36D351HPN332MDA5M  | 2.500 × 4.125                     | DA5            | 56.6                             | 8.40   |
|                                      | 3,900              | E36D351HPN392MDB7M  | 2.500 × 4.625                     | DB7            | 47.9                             | 9.58   |
|                                      | 4,700              | E36D351HPN472MDD0M  | 2.500 × 5.125                     | DD0            | 40.4                             | 11.02  |
|                                      | 3,900              | E36D351HPN392ME92M  | 3.000 × 3.625                     | E92            | 49.9                             | 9.54   |
|                                      | 4,700              | E36D351HPN472MEA5M  | 3.000 × 4.125                     | EA5            | 41.7                             | 11.06  |
|                                      | 5,600              | E36D351HPN562MEB7M  | 3.000 × 4.625                     | EB7            | 35.3                             | 12.65  |
|                                      | 6,800              | E36D351HPN682MED0M  | 3.000 × 5.125                     | ED0            | 29.6                             | 14.59  |
|                                      | 8,200              | E36D351HPN822MEE3M  | 3.000 × 5.625                     | EE3            | 25.1                             | 16.70  |
|                                      | 12,000             | E36D351HPN123MEN0M  | 3.000 × 8.625                     | EN0            | 17.4                             | 24.49  |
|                                      | 6,800              | E36D351LLN682MFA5M  | 3.500 × 4.125                     | FA5            | 32.0                             | 11.39  |
|                                      | 8,200              | E36D351LLN822MFB7M  | 3.500 × 4.625                     | FB7            | 27.0                             | 12.88  |
| 10,000                               | E36D351LLN103MFE3M | 3.500 × 5.625       | FE3                               | 23.0           | 15.17                            |  |

† For terminal, mounting and construction options, refer to the part numbering system for descriptions and codes.

\* Refer to diagram of dimensions for detailed case size specifications.

# U36D Series

## Standard Voltage Ratings - Screw Terminals

| Rated Voltage (WVDC) | Capacitance (µF) | Global Part Number† | Nominal Case Size* D × L (inches) | Case Size Code | Maximum ESR (mΩ) at +25°C, 120Hz | Rated Ripple Current (A rms) at +85°C, 120Hz |
|----------------------|------------------|---------------------|-----------------------------------|----------------|----------------------------------|--|
|----------------------|------------------|---------------------|-----------------------------------|----------------|----------------------------------|--|

|                                      |        |                    |               |     |       |       |
|--------------------------------------|--------|--------------------|---------------|-----|-------|-------|
| <b>400 Volts<br/>450 Volts Surge</b> | 180    | E36D401HPN181MA41M | 1.375 × 1.625 | A41 | 921.0 | 1.06  |
|                                      | 330    | E36D401HPN331MA54M | 1.375 × 2.125 | A54 | 495.0 | 1.53  |
|                                      | 390    | E36D401HPN391MA67M | 1.375 × 2.625 | A67 | 416.0 | 1.74  |
|                                      | 560    | E36D401HPN561MA79M | 1.375 × 3.125 | A79 | 289.0 | 2.24  |
|                                      | 680    | E36D401HPN681MA92M | 1.375 × 3.625 | A92 | 238.0 | 2.65  |
|                                      | 820    | E36D401HPN821MAA5M | 1.375 × 4.125 | AA5 | 197.0 | 3.09  |
|                                      | 1,000  | E36D401HPN102MAB7M | 1.375 × 4.625 | AB7 | 162.0 | 3.49  |
|                                      | 1,200  | E36D401HPN122MAE3M | 1.375 × 5.625 | AE3 | 135.0 | 4.20  |
|                                      | 390    | E36D401HPN391MC48M | 2.000 × 1.875 | C48 | 416.0 | 1.88  |
|                                      | 560    | E36D401HPN561MC54M | 2.000 × 2.125 | C54 | 295.0 | 2.36  |
|                                      | 820    | E36D401HPN821MC67M | 2.000 × 2.625 | C67 | 200.0 | 3.04  |
|                                      | 1,200  | E36D401HPN122MC79M | 2.000 × 3.125 | C79 | 137.0 | 3.94  |
|                                      | 1,500  | E36D401HPN152MC92M | 2.000 × 3.625 | C92 | 109.0 | 4.71  |
|                                      | 1,800  | E36D401HPN182MCA5M | 2.000 × 4.125 | CA5 | 91.5  | 5.47  |
|                                      | 2,200  | E36D401HPN222MCB7M | 2.000 × 4.625 | CB7 | 75.0  | 6.34  |
|                                      | 2,700  | E36D401HPN272MCE3M | 2.000 × 5.625 | CE3 | 61.3  | 7.70  |
|                                      | 1,800  | E36D401HPN182MD79M | 2.500 × 3.125 | D79 | 93.5  | 5.50  |
|                                      | 2,700  | E36D401HPN272MDA5M | 2.500 × 4.125 | DA5 | 62.6  | 7.60  |
|                                      | 3,900  | E36D401HPN392MDB7M | 2.500 × 4.625 | DB7 | 44.2  | 9.58  |
|                                      | 4,700  | E36D401HPN472MDE3M | 2.500 × 5.625 | DE3 | 37.0  | 11.50 |
|                                      | 3,900  | E36D401HPN392ME92M | 3.000 × 3.625 | E92 | 46.5  | 9.54  |
|                                      | 4,700  | E36D401HPN472MEA5M | 3.000 × 4.125 | EA5 | 38.8  | 11.06 |
|                                      | 5,600  | E36D401HPN562MED0M | 3.000 × 5.125 | ED0 | 32.3  | 13.24 |
|                                      | 6,800  | E36D401HPN682MEE3M | 3.000 × 5.625 | EE3 | 27.1  | 15.21 |
|                                      | 10,000 | E36D401HPN103MEN0M | 3.000 × 8.625 | EN0 | 18.7  | 22.36 |
|                                      | 5,600  | E36D401LLN562MFA5M | 3.500 × 4.125 | FA5 | 37.0  | 10.59 |
|                                      | 6,800  | E36D401LLN682MFB7M | 3.500 × 4.625 | FB7 | 31.0  | 12.02 |
|                                      | 8,200  | E36D401LLN822MFD0M | 3.500 × 5.125 | FD0 | 26.0  | 13.82 |

|                                      |       |                    |               |     |         |       |
|--------------------------------------|-------|--------------------|---------------|-----|---------|-------|
| <b>450 Volts<br/>500 Volts Surge</b> | 150   | E36D451HPN151MA41M | 1.375 × 1.625 | A41 | 1,687.8 | 0.96  |
|                                      | 270   | E36D451HPN271MA54M | 1.375 × 2.125 | A54 | 923.3   | 1.39  |
|                                      | 330   | E36D451HPN331MA67M | 1.375 × 2.625 | A67 | 749.9   | 1.60  |
|                                      | 470   | E36D451HPN471MA79M | 1.375 × 3.125 | A79 | 525.5   | 2.05  |
|                                      | 560   | E36D451HPN561MA92M | 1.375 × 3.625 | A92 | 440.3   | 2.40  |
|                                      | 680   | E36D451HPN681MAA5M | 1.375 × 4.125 | AA5 | 362.5   | 2.81  |
|                                      | 820   | E36D451HPN821MAB7M | 1.375 × 4.625 | AB7 | 300.7   | 3.16  |
|                                      | 1,000 | E36D451HPN102MAE3M | 1.375 × 5.625 | AE3 | 246.6   | 3.83  |
|                                      | 330   | E36D451HPN331MC48M | 2.000 × 1.875 | C48 | 653.4   | 1.73  |
|                                      | 470   | E36D451HPN471MC54M | 2.000 × 2.125 | C54 | 535.9   | 2.16  |
|                                      | 680   | E36D451HPN681MC67M | 2.000 × 2.625 | C67 | 366.8   | 2.76  |
|                                      | 1,000 | E36D451HPN102MC79M | 2.000 × 3.125 | C79 | 249.0   | 3.60  |
|                                      | 1,200 | E36D451HPN122MC92M | 2.000 × 3.625 | C92 | 207.1   | 4.21  |
|                                      | 1,500 | E36D451HPN152MCA5M | 2.000 × 4.125 | CA5 | 165.8   | 4.99  |
|                                      | 1,800 | E36D451HPN182MCB7M | 2.000 × 4.625 | CB7 | 138.3   | 5.74  |
|                                      | 2,200 | E36D451HPN222MCE3M | 2.000 × 5.625 | CE3 | 113.2   | 6.95  |
|                                      | 1,500 | E36D451HPN152MD79M | 2.500 × 3.125 | D79 | 168.2   | 5.02  |
|                                      | 2,200 | E36D451HPN222MDA5M | 2.500 × 4.125 | DA5 | 114.5   | 6.86  |
|                                      | 2,700 | E36D451HPN272MDB7M | 2.500 × 4.625 | DB7 | 93.7    | 7.97  |
|                                      | 3,300 | E36D451HPN332MDD0M | 2.500 × 5.125 | DD0 | 77.1    | 9.23  |
|                                      | 3,900 | E36D451HPN392MDE3M | 2.500 × 5.625 | DE3 | 65.6    | 10.47 |
|                                      | 2,700 | E36D451HPN272ME92M | 3.000 × 3.625 | E92 | 95.6    | 7.93  |
|                                      | 3,900 | E36D451HPN392MEA5M | 3.000 × 4.125 | EA5 | 78.4    | 10.08 |
|                                      | 4,700 | E36D451HPN472MED0M | 3.000 × 5.125 | ED0 | 55.7    | 12.13 |
|                                      | 5,600 | E36D451HPN562MEE3M | 3.000 × 5.625 | EE3 | 47.2    | 13.80 |
|                                      | 8,200 | E36D451HPN822MEN0M | 3.000 × 8.625 | EN0 | 32.4    | 20.25 |
|                                      | 4,700 | E36D451LLN472MFA5M | 3.500 × 4.125 | FA5 | 67.0    | 7.87  |
|                                      | 5,600 | E36D451LLN562MFB7M | 3.500 × 4.625 | FB7 | 56.0    | 8.94  |
|                                      | 6,800 | E36D451LLN682MFD0M | 3.500 × 5.125 | FD0 | 47.0    | 10.28 |

† For terminal, mounting and construction options, refer to the part numbering system for descriptions and codes.

\* Refer to diagram of dimensions for detailed case size specifications.

LARGE CAN 85°C  
U36D

# U36D Series

## Standard Voltage Ratings - Screw Terminals

| Rated Voltage (WVDC)                 | Capacitance (µF)   | Global Part Number† | Nominal Case Size* D × L (inches) | Case Size Code | Maximum ESR (mΩ) at +25°C, 120Hz | Rated Ripple Current (A rms) at +85°C, 120Hz |
|--------------------------------------|--------------------|---------------------|-----------------------------------|----------------|----------------------------------|--|
| <b>500 Volts<br/>550 Volts Surge</b> | 100                | E36D501HPN101MA41M  | 1.375 × 1.625                     | A41            | 3,918.0                          | 0.60   |
|                                      | 180                | E36D501HPN181MA54M  | 1.375 × 2.125                     | A54            | 2,141.0                          | 0.87   |
|                                      | 220                | E36D501HPN221MA67M  | 1.375 × 2.625                     | A67            | 1,739.0                          | 1.00   |
|                                      | 330                | E36D501HPN331MA79M  | 1.375 × 3.125                     | A79            | 1,155.0                          | 1.32   |
|                                      | 390                | E36D501HPN391MA92M  | 1.375 × 3.625                     | A92            | 975.0                            | 1.54   |
|                                      | 470                | E36D501HPN471MAA5M  | 1.375 × 4.125                     | AA5            | 808.0                            | 1.79   |
|                                      | 560                | E36D501HPN561MAB7M  | 1.375 × 4.625                     | AB7            | 677.0                            | 2.00   |
|                                      | 680                | E36D501HPN681MAE3M  | 1.375 × 5.625                     | AE3            | 557.0                            | 2.42   |
|                                      | 220                | E36D501HPN221MC48M  | 2.000 × 1.875                     | C48            | 1,453.0                          | 1.08   |
|                                      | 330                | E36D501HPN331MC54M  | 2.000 × 2.125                     | C54            | 1,177.0                          | 1.39   |
|                                      | 470                | E36D501HPN471MC67M  | 2.000 × 2.625                     | C67            | 817.0                            | 1.76   |
|                                      | 680                | E36D501HPN681MC79M  | 2.000 × 3.125                     | C79            | 563.0                            | 2.27   |
|                                      | 820                | E36D501HPN821MC92M  | 2.000 × 3.625                     | C92            | 465.0                            | 2.67   |
|                                      | 1,000              | E36D501HPN102MCA5M  | 2.000 × 4.125                     | CA5            | 381.0                            | 3.12   |
|                                      | 1,200              | E36D501HPN122MCB7M  | 2.000 × 4.625                     | CB7            | 317.0                            | 3.59   |
|                                      | 1,500              | E36D501HPN152MCE3M  | 2.000 × 5.625                     | CE3            | 253.0                            | 4.40   |
|                                      | 1,000              | E36D501HPN102MD79M  | 2.500 × 3.125                     | D79            | 320.0                            | 3.14   |
|                                      | 1,500              | E36D501HPN152MDA5M  | 2.500 × 4.125                     | DA5            | 213.0                            | 4.35   |
|                                      | 2,200              | E36D501HPN222MDB7M  | 2.500 × 4.625                     | DB7            | 212.0                            | 5.52   |
|                                      | 2,200              | E36D501HPN222ME92M  | 3.000 × 3.625                     | E92            | 175.0                            | 5.49   |
|                                      | 2,700              | E36D501HPN272MEB7M  | 3.000 × 4.625                     | EB7            | 142.0                            | 6.74   |
|                                      | 3,900              | E36D501HPN392MEE3M  | 3.000 × 5.625                     | EE3            | 99.0                             | 8.83   |
|                                      | 5,600              | E36D501HPN562MEN0M  | 3.000 × 8.625                     | EN0            | 69.0                             | 12.83  |
|                                      | 3,900              | E36D501LLN392MFA5M  | 3.500 × 4.125                     | FA5            | 131.0                            | 5.63   |
| 4,700                                | E36D501LLN472MFB7M | 3.500 × 4.625       | FB7                               | 109.0          | 6.62                             |  |
| 5,600                                | E36D501LLN562MFD0M | 3.500 × 5.125       | FD0                               | 92.0           | 7.35                             |  |
| 6,800                                | E36D501LLN682MFE3M | 3.500 × 5.625       | FE3                               | 76.0           | 8.35                             |  |
| <b>550 Volts<br/>600 Volts Surge</b> | 68                 | E36D551HPN680MA41M  | 1.375 × 1.625                     | A41            | 3,997.0                          | 0.50   |
|                                      | 120                | E36D551HPN121MA54M  | 1.375 × 2.125                     | A54            | 2,227.0                          | 0.71   |
|                                      | 150                | E36D551HPN151MA67M  | 1.375 × 2.625                     | A67            | 1,769.0                          | 0.83   |
|                                      | 220                | E36D551HPN221MA79M  | 1.375 × 3.125                     | A79            | 1,202.0                          | 1.08   |
|                                      | 270                | E36D551HPN271MA92M  | 1.375 × 3.625                     | A92            | 977.0                            | 1.28   |
|                                      | 330                | E36D551HPN331MAB7M  | 1.375 × 4.625                     | AB7            | 797.0                            | 1.54   |
|                                      | 390                | E36D551HPN391MAD0M  | 1.375 × 5.125                     | AD0            | 674.0                            | 1.75   |
|                                      | 470                | E36D551HPN471MAE3M  | 1.375 × 5.625                     | AE3            | 559.0                            | 2.01   |
|                                      | 220                | E36D551HPN221MC54M  | 2.000 × 2.125                     | C54            | 1,224.0                          | 1.13   |
|                                      | 330                | E36D551HPN331MC67M  | 2.000 × 2.625                     | C67            | 808.0                            | 1.48   |
|                                      | 470                | E36D551HPN471MC79M  | 2.000 × 3.125                     | C79            | 565.0                            | 1.89   |
|                                      | 560                | E36D551HPN561MC92M  | 2.000 × 3.625                     | C92            | 472.0                            | 2.21   |
|                                      | 680                | E36D551HPN681MCA5M  | 2.000 × 4.125                     | CA5            | 388.0                            | 2.58   |
|                                      | 820                | E36D551HPN821MCB7M  | 2.000 × 4.625                     | CB7            | 322.0                            | 2.97   |
|                                      | 1,000              | E36D551HPN102MCE3M  | 2.000 × 5.625                     | CE3            | 263.0                            | 3.59   |
|                                      | 680                | E36D551HPN681MD79M  | 2.500 × 3.125                     | D79            | 391.0                            | 2.59   |
|                                      | 1,000              | E36D551HPN102MDA5M  | 2.500 × 4.125                     | DA5            | 265.0                            | 3.89   |
|                                      | 1,200              | E36D551HPN122MDB7M  | 2.500 × 4.625                     | DB7            | 220.0                            | 4.56   |
|                                      | 1,500              | E36D551HPN152MDE3M  | 2.500 × 5.625                     | DE3            | 176.0                            | 5.46   |
|                                      | 1,200              | E36D551HPN122ME92M  | 3.000 × 3.625                     | E92            | 222.0                            | 4.06   |
|                                      | 1,500              | E36D551HPN152MEA5M  | 3.000 × 4.125                     | EA5            | 178.0                            | 4.79   |
|                                      | 1,800              | E36D551HPN182MEB7M  | 3.000 × 4.625                     | EB7            | 148.0                            | 5.50   |
|                                      | 2,200              | E36D551HPN222MED0M  | 3.000 × 5.125                     | ED0            | 121.0                            | 6.36   |
|                                      | 3,900              | E36D551HPN392MEN0M  | 3.000 × 8.625                     | EN0            | 69.0                             | 10.71  |
| 1,800                                | E36D551LLN182MFA5M | 3.500 × 4.125       | FA5                               | 159.0          | 5.11                             |  |
| 2,200                                | E36D551LLN222MFB7M | 3.500 × 4.625       | FB7                               | 130.0          | 6.06                             |  |
| 2,700                                | E36D551LLN272MFD0M | 3.500 × 5.125       | FD0                               | 107.0          | 6.81                             |  |
| 3,300                                | E36D551LLN332MFE3M | 3.500 × 5.625       | FE3                               | 88.0           | 7.76                             |  |

† For terminal, mounting and construction options, refer to the part numbering system for descriptions and codes.

\* Refer to diagram of dimensions for detailed case size specifications.

# Mouser Electronics

Authorized Distributor

Click to View Pricing, Inventory, Delivery & Lifecycle Information:

## [United Chemi-Con \(UCC\):](#)

[E36D800HPN473ME92M](#) [E36D451HPN152TED0M](#) [E36D101HLN222QA79M](#) [E36D500HLN683MD79M](#)  
[E36D351CPN122UDE3N](#) [E36D201LPN123TEM9N](#) [E36D160HPN474ME92M](#) [E36D101HPN272MA54M](#)  
[E36D161HPN472MAB7M](#) [E36D451HPN561TC67N](#) [E36D251LPN252TCE3N](#) [E36D351LPN152TC92N](#)  
[E36D201LPN742TEE3N](#) [E36D201HPN472TDA5N](#) [E36D350HPN394MEE3M](#) [E36D400HPN323UAA5M](#)  
[E36D161HPN473MEM9M](#) [E36D500LPN683TE92N](#) [E36D151LPN123TED0M](#) [E36D750CPN453TDE3N](#)  
[E36D451LPN861TEA5M](#) [E36D500HPC333MC67M](#) [E36D400HPN823TCB7M](#) [E36D201HLC103MCD0M](#)  
[E36D101LPN332TA67N](#) [E36D451LPN391TC54N](#) [E36D351LPN681TA92N](#) [E36D250LPN124TDA5M](#)  
[E36D800LPN393MCA5M](#) [E36D161LPN822TCD0N](#) [E36D401LPN122TEE3M](#) [E36D600LPN472TA54N](#)  
[E36D451HPS472MED0M](#) [E36D251HPN172TCA5M](#) [E36D500MLN333TD79M](#) [E36D160HPN125MEM9M](#)  
[E36D750HPN233TEE3M](#) [E36D500HPS124MDA5M](#) [E36D150LPN503UCA5M](#) [E36D451CPN602AEM9Q](#)  
[E36D251CPN122UDA5M](#) [E36D201HPN153MDE3M](#) [E36D400LPN263UC79M](#) [E36D201HPN102MA54M](#)  
[E36D250LPN393TC67N](#) [E36D500LPN183TAA5N](#) [E36D401LPN332TEB7N](#) [E36D401LPN392TED0N](#)  
[E36D630HPN123MA67M](#) [E36D451LPN221TC79N](#) [E36D630HPC333MC79M](#) [E36D101LPN223TDA5M](#)  
[E36D201LPN102MA54M](#) [E36D500LPN513TEE3M](#) [E36D451HPC122MC92M](#) [E36D401HPN562MED0M](#)  
[E36D251LPN561TA54N](#) [E36D101LPN102TA41M](#) [E36D201LPN722TDE3M](#) [E36D800HPN223MC92M](#)  
[E36D250HPN473MA79M](#) [E36D351LPN392TE92M](#) [E36D451HPN272MDB7M](#) [E36D500HPN184MDE3M](#)  
[E36D401CDN752MEE3M](#) [E36D351CAS143MFE5M](#) [E36D101HPN473MEB7M](#) [E36D451HPN681MAA5M](#)  
[E36D201LPN452TCB7N](#) [E36D750LPN373UEE3N](#) [E36D501LPN561TC79N](#) [E36D401HPN212TED0M](#)  
[E36D160LPN473TA67N](#) [E36D251HPS152MC54M](#) [E36D750HPN682QA79M](#) [E36D451HPN392MDE3M](#)  
[E36D101HPN333ME92M](#) [E36D101MLS223TDB7M](#) [E36D451LPN562TEM9N](#) [E36D500LPN563TDA5N](#)  
[E36D350HPN124MD79M](#) [E36D500LPN393TCA5N](#) [E36D201HPN222TDB7M](#) [E36D451CDN272MEA5M](#)  
[E36D3B1HPN562MEA5M](#) [E36D500LPN242UA54N](#) [E36D400HPN103TA67N](#) [E36D401LLN562MED0M](#)  
[E36D251MLS682TDB7M](#) [E36D250HPN244UDE3N](#) [E36D451CJN182MC92M](#) [E36D251HLS472MCA5M](#)  
[E36D350LPN183TA79N](#) [E36D151LPN223TEM9N](#) [E36D201LPN152TA79N](#) [E36D451HPN472MEA5M](#)  
[E36D451LGN682MFD0M](#) [E36D351LPN512TEM9N](#) [E36D5H1CDN272MDE3M](#) [E36D161LPN392MAA5M](#)