

HC-M-RJI-AD-08-PC-M - Contact insert module



1419888

<https://www.phoenixcontact.com/us/products/1419888>

Please be informed that the data shown in this PDF document is generated from our online catalog. Please find the complete data in the user documentation. Our general terms of use for downloads are valid.



Contact insert module, adapter for RJ45 connector, the matching RJ45 connectors can be found in the accessories list

Commercial data

Item number	1419888
Packing unit	1 pc
Minimum order quantity	1 pc
Sales key	BF62
Product key	BF7ACE
Catalog page	Page 591 (C-2-2019)
GTIN	4055626253268
Weight per piece (including packing)	12.5 g
Weight per piece (excluding packing)	11.6 g
Customs tariff number	85389099
Country of origin	PL

HC-M-RJI-AD-08-PC-M - Contact insert module



1419888

<https://www.phoenixcontact.com/us/products/1419888>

Technical data

Notes

General	Refer to the accessories list for the corresponding RJ45 connectors
General	Connectors may be operated only when there is no load/voltage.

Mounting

Assembly note	To ensure correct use, installation in housing with IP54 protection or better is required
---------------	---

Product properties

Product type	Modular contact insert
Series	HC-M-RJ45
Application	Data
Sensor type	Ethernet
Number of positions	8
Connection profile	RJ45
Contact numbering	1 - 8
No. of cable outlets	1
Number of module slots	1
Type	RJ45
Shielded	yes

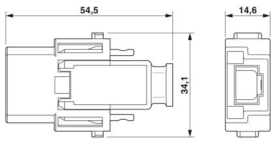
Data management status

Article revision	02
------------------	----

Insulation characteristics

Overvoltage category	III
Degree of pollution	3

Dimensions

Dimensional drawing	
Width	34.2 mm
Height	54.5 mm
Length	14.6 mm

Mechanical characteristics

Minimum housing height	72 mm
------------------------	-------

Electrical properties

Rated voltage (III/3)	48 V
-----------------------	------

HC-M-RJI-AD-08-PC-M - Contact insert module



1419888

<https://www.phoenixcontact.com/us/products/1419888>

Rated surge voltage	0.8 kV
Rated current	1 A
Transmission characteristics (category)	CAT5e

Mechanical properties

Mechanical data

Insertion/withdrawal cycles	≥ 500
-----------------------------	-------

Material specifications

Flammability rating according to UL 94	V0
Contact material	Copper alloy
Contact surface material	Au
Contact carrier material	PC
Standards/regulations	PC: Fire protection in rail vehicles - requirement sets R22, R23, and R24 acc. to DIN EN 45545-2 (Risk level HL1 - HL3)

Environmental and real-life conditions

Ambient conditions

Ambient temperature (operation)	-40 °C ... 70 °C
---------------------------------	------------------

Standards and regulations

Testing

Standards/regulations	PC: Fire protection in rail vehicles - requirement sets R22, R23, and R24 acc. to DIN EN 45545-2 (Risk level HL1 - HL3)
-----------------------	---

HC-M-RJI-AD-08-PC-M - Contact insert module

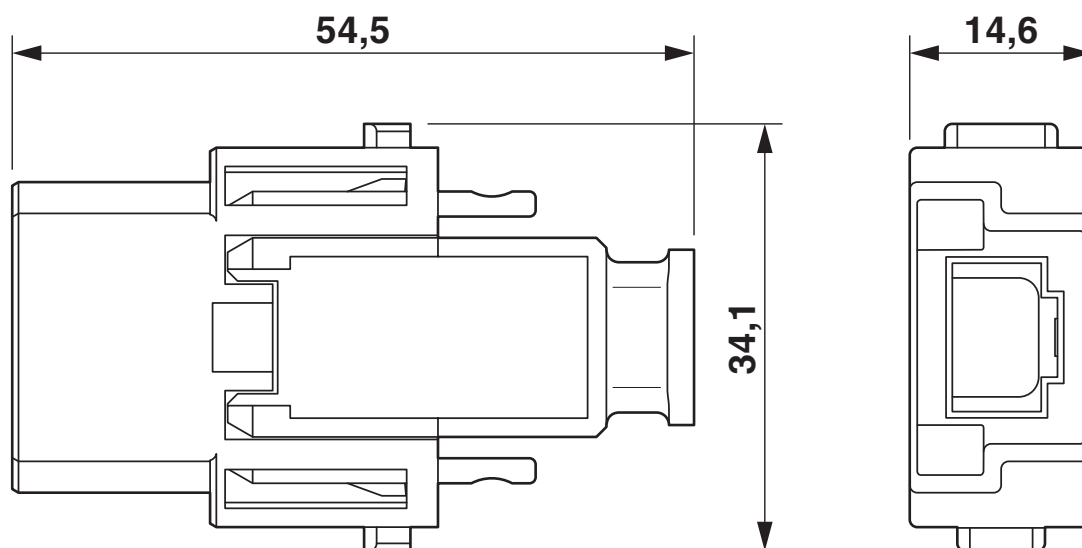
1419888

<https://www.phoenixcontact.com/us/products/1419888>



Drawings

Dimensional drawing



Male insert

1419888

<https://www.phoenixcontact.com/us/products/1419888>

Approvals

To download certificates, visit the product detail page: <https://www.phoenixcontact.com/us/products/1419888>

DNV

Approval ID: TAE000037S



CSA

Approval ID: 13631



UL Recognized

Approval ID: E118976



EAC

Approval ID: RU C-DE.BL08.B.00511

HC-M-RJI-AD-08-PC-M - Contact insert module



1419888

<https://www.phoenixcontact.com/us/products/1419888>

Classifications

ECLASS

ECLASS-11.0	27440218
ECLASS-12.0	27440218
ECLASS-13.0	27440218

ETIM

ETIM 9.0	EC000438
----------	----------

UNSPSC

UNSPSC 21.0	39121400
-------------	----------

HC-M-RJI-AD-08-PC-M - Contact insert module



1419888

<https://www.phoenixcontact.com/us/products/1419888>

Environmental product compliance

EU RoHS

Fulfills EU RoHS substance requirements	Yes, No exemptions
---	--------------------

China RoHS

Environment friendly use period (EFUP)	EFUP-E
	No hazardous substances above the limits

EU REACH SVHC

REACH candidate substance (CAS No.)	No substance above 0.1 wt%
-------------------------------------	----------------------------

EF3.0 Climate Change

CO2e kg	0.072 kg CO2e
---------	---------------

Phoenix Contact 2024 © - all rights reserved
<https://www.phoenixcontact.com>

Phoenix Contact USA
586 Fulling Mill Road
Middletown, PA 17057, United States
(+717) 944-1300
info@phoenixcon.com