

LED Drivers for LCD Backlights

# 1ch Boost up type White LED Driver for large LCD

**BD9489F**

## 1.1 General Description

BD9489F is a high efficiency driver for white LEDs and is designed for large LCDs. BD9489F has a boost DCDC converter that employs an array of LEDs as the light source.

BD9489F has some protect functions against fault conditions, such as over-voltage protection (OVP), over current limit protection of DCDC (OCP), LED OCP protection, and Over boost protection (FBMAX). Therefore it is available for the fail-safe design over a wide range output voltage.

## Features

- DCDC converter with current mode
- As PWM=L, the retaining function of Vout, FB voltage
- VOUT discharge function at shutdown
- LED protection circuit (Over boost protection, LED OCP protection)
- Over-voltage protection (OVP) for the output voltage Vout
- Adjustable soft start
- Adjustable oscillation frequency of DCDC
- Wide range of analog dimming 0.2V to 3.0V
- UVLO detection for the input voltage of the power stage

## Applications

- TV, Computer Display, LCD Backlighting

## Key Specifications

- Operating power supply voltage range: 9.0V to 35.0V
- Oscillator frequency of DCDC: 150kHz (RT=100kΩ)
- Operating Current: 2.6mA(Typ.)
- Operating temperature range: -40°C to +85°C

## 1.2 Package(s)

SOP16

W(Typ) x D(Typ) x H(Max)  
10.00mm x 6.20mm x 1.71mm  
Pin pitch 1.27mm



Figure 1. SOP16

## 1.3 Typical Application Circuit(s)

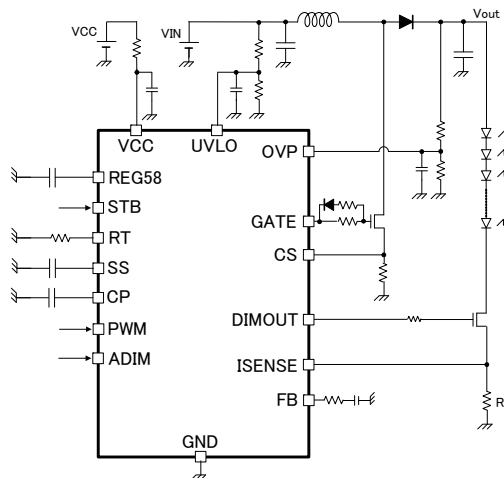


Figure 2. Typical Application Circuit

1.4 Absolute Maximum Ratings (Ta=25°C)

| Parameter  | Symbol  | Ratings      | Unit |
|--|---|--------------|------|
| Power Supply Voltage   | Vccmax  | 36           | V    |
| SS, RT, ISENSE, FB, CS, CP, REG58, DIMOUT, GATE Terminal Voltage | SS, RT, ISENSE, FB, CS, CP, REG58, DIMOUT, GATE | 7            | V    |
| OVP, UVLO, PWM, ADIM, STB Terminal Voltage                       | OVP, UVLO, PWM, ADIM, STB                       | 20           | V    |
| Power Dissipation  | Pd  | 625 (Note 1) | mW   |
| Operating Temperature Range                                      | Topr  | -40 to +85   | °C   |
| Junction Temperature   | Tjmax   | 150          | °C   |
| Storage Temperature Range  | Tstg  | -55 to +150  | °C   |

(Note 1) In the case of mounting 1 layer glass epoxy base-plate of 70mm×70mm×1.6mm, derate by 5.0mW/°C when operating above Ta=25°C.

1.5 Operating Ratings

| Parameter                      | Symbol | Range       | Unit |
|--------------------------------|--------|-------------|------|
| Power Supply Voltage           | VCC    | 9.0 to 35.0 | V    |
| DC/DC Oscillation Frequency    | fsw    | 50 to 800   | kHz  |
| Effective Range of ADIM Signal | VADIM  | 0.2 to 3.0  | V    |
| PWM Input Frequency            | FPWM   | 90 to 2000  | Hz   |

1.6 External Components Recommended Range

| Parameter                    | Symbol             | Range                 | Unit |
|------------------------------|--------------------|-----------------------|------|
| REG58 Connection Capacitance | C <sub>REG58</sub> | 1.0 to 10 (Note 2)    | μF   |
| SS Connection Capacitance    | C <sub>SS</sub>    | 0.001 to 2.2 (Note 2) | μF   |
| RT Connection Resistance     | R <sub>RT</sub>    | 15 to 300             | kΩ   |
| GATE Drive Capacitance       | C <sub>GATE</sub>  | to 1000               | pF   |

(Note 2) Please set connection capacitance above Min value of Recommended Range according to temperature characteristic and DC bias characteristic.

1.7 Pin Configuration

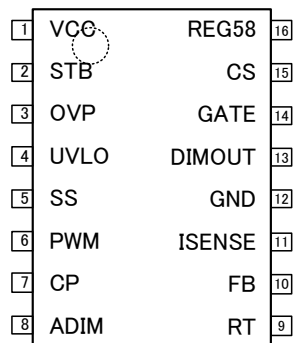


Figure 3. Pin Configuration

1.8 Physical Dimension Tape and Marking Diagram

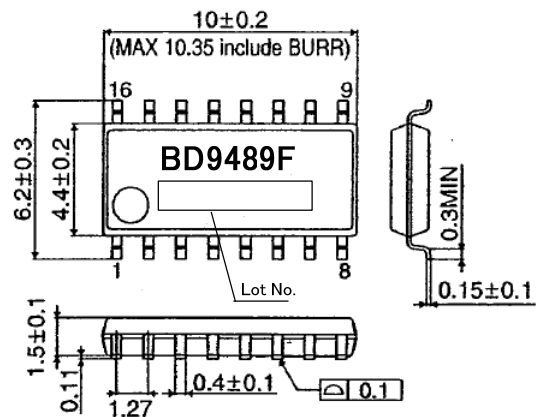


Figure 4. Physical Dimension Tape and Marking Diagram

## 1.9 Electrical Characteristics (Unless otherwise specified, Ta=25°C, VCC=24V)

| Parameter                          | Symbol    | Limit |       |             | Unit | Condition                                 |
|------------------------------------|-----------|-------|-------|-------------|------|---|
|                                    |           | Min.  | Typ.  | Max.        |      |   |
| <b>【Total Current Consumption】</b> |           |       |       |             |      |   |
| Circuit Current                    | Icc       | —     | 2.6   | 5.2         | mA   | VSTB=3.0V, PWM=3.0V                       |
| Circuit Current (standby)          | IST       | —     | 40    | 80          | μA   | VSTB=0V                                   |
| <b>【UVLO Block】</b>                |           |       |       |             |      |   |
| Operation Voltage (VCC)            | VUVLO_VCC | 6.5   | 7.5   | 8.5         | V    | VCC=SWEEP UP                              |
| Hysteresis Voltage (VCC)           | VUHYS_VCC | 150   | 300   | 600         | mV   | VCC=SWEEP DOWN                            |
| UVLO Release Voltage               | VUVLO     | 2.88  | 3.00  | 3.12        | V    | VUVLO=SWEEP UP                            |
| UVLO Hysteresis Voltage            | VUHYS     | 250   | 300   | 350         | mV   | VUVLO=SWEEP DOWN                          |
| UVLO Pin Leak Current              | UVLO_LK   | -2    | 0     | 2           | μA   | VUVLO=4.0V                                |
| <b>【DC/DC Block】</b>               |           |       |       |             |      |   |
| ISENSE Threshold Voltage 1         | VLED1     | 0.225 | 0.233 | 0.242       | V    | VADIM=0.7V                                |
| ISENSE Threshold Voltage 2         | VLED2     | 0.656 | 0.667 | 0.677       | V    | VADIM=2.0V                                |
| ISENSE Threshold Voltage 3         | VLED3     | 0.988 | 1.000 | 1.012       | V    | VADIM=3.0V                                |
| ISENSE Clamp Voltage               | VLED4     | 0.989 | 1.015 | 1.040       | V    | VADIM=3.3V<br>(as masking analog dimming) |
| Oscillation Frequency              | FCT       | 142.5 | 150   | 157.5       | KHz  | RT=100kΩ                                  |
| RT Short Protection Range          | RT_DET    | -0.3  | -     | VRT<br>×90% | V    | RT=SWEEP DOWN                             |
| RT Terminal Voltage                | VRT       | 1.6   | 2.0   | 2.4         | V    | RT=100kΩ                                  |
| RT Pin ON Resistance at OFF        | RRT_L     | -     | 2.0   | 4.0         | kΩ   | As latch off                              |
| GATE Pin MAX DUTY Output           | MAX_DUTY  | 90    | 95    | 99          | %    | RT=100kΩ                                  |
| GATE Pin ON Resistance (as source) | RONSO     | 2.5   | 5.0   | 10.0        | Ω    |   |
| GATE Pin ON Resistance (as sink)   | RONSI     | 2.0   | 4.0   | 8.0         | Ω    |   |
| SS Pin Source Current              | ISSSO     | -3.75 | -3.0  | -2.25       | μA   | VSS=2.0V                                  |
| SS Pin ON Resistance at OFF        | RSS_L     | -     | 3.0   | 5.0         | kΩ   |   |
| Soft Start Ended Voltage           | VSS_END   | 3.52  | 3.70  | 3.88        | V    | SS=SWEEP UP                               |
| FB Source Current                  | IFBSO     | -115  | -100  | -85         | μA   | VISENSE=0.2V, VADIM=3.0V,<br>VFB=1.0V     |
| FB Sink Current                    | IFBSI     | 85    | 100   | 115         | μA   | VISENSE=2.0V, VADIM=3.0V,<br>VFB=1.0V     |
| OCP Detect Voltage                 | VCS       | 360   | 400   | 440         | mV   | CS=SWEEP UP                               |
| OCP Latch Off Detect Voltage       | VCS       | 0.85  | 1.00  | 1.15        | V    | CS=SWEEP UP                               |
| <b>【DC/DC Protection Block】</b>    |           |       |       |             |      |   |
| OVP Detect Voltage                 | VOVP      | 2.88  | 3.00  | 3.12        | V    | VOVP SWEEP UP                             |
| OVP Detect Hysteresis              | VOVP_HYS  | 150   | 200   | 250         | mV   | VOVP SWEEP DOWN                           |
| OVP Pin Leak Current               | OVP_LK    | -2    | 0     | 2           | μA   | VOVP=4.0V, VSTB=3.0V                      |

## 1.9 Electrical Characteristics (Unless otherwise specified, Ta=25°C, VCC=24V)

| Parameter                     | Symbol    | Limit |      |       | Unit | Condition                         |
|-------------------------------|-----------|-------|------|-------|------|-----------------------------------|
|                               |           | Min.  | Typ. | Max.  |      |                                   |
| <b>【LED Protection Block】</b> |           |       |      |       |      |                                   |
| LED OCP Detect Voltage        | VLEDOCP   | 2.88  | 3.0  | 3.12  | V    | VISENSE=SWEEP UP                  |
| Over Boost Detection Voltage  | VFBH      | 3.84  | 4.00 | 4.16  | V    | VFB=SWEEP UP                      |
| <b>【Dimming Block】</b>        |           |       |      |       |      |                                   |
| ADIM Pin Leak Current         | ILADIM    | -2    | 0    | 2     | μA   | VADIM=2.0V                        |
| ISENSE Pin Leak Current       | IL_ISENSE | -2    | 0    | 2     | μA   | VISENSE=4.0V                      |
| DIMOUT Source ON Resistance   | RONSO     | 4.0   | 8.0  | 16.0  | Ω    |                                   |
| DIMOUT Sink ON Resistance     | RONSI     | 3.0   | 6.5  | 13.0  | Ω    |                                   |
| <b>【REG58 Block】</b>          |           |       |      |       |      |                                   |
| REG58 Output Voltage 1        | REG58_1   | 5.742 | 5.8  | 5.858 | V    | IO=0mA                            |
| REG58 Output Voltage 2        | REG58_2   | 5.713 | 5.8  | 5.887 | V    | IO=-15mA                          |
| REG58 Available Current       | IREG58    | 15    | -    | -     | mA   |                                   |
| REG58_UVLO Detect Voltage     | REG58_TH  | 2.0   | 2.3  | 2.6   | V    | VREG58=SWEEP DOWN,<br>VSTB=0V     |
| REG58 Discharge Current       | REG58_DIS | 3.0   | 5.0  | 7.0   | μA   | STB=ON->OFF, REG58=4.0V,<br>PWM=L |
| <b>【STB Block】</b>            |           |       |      |       |      |                                   |
| STB Pin HIGH Voltage 1        | STBH1     | 8.5   | -    | 19    | V    | Enable keeping Vout function      |
| STB Pin HIGH Voltage 2        | STBH2     | 2.0   | -    | 6.5   | V    | Disenable keeping Vout function   |
| STB Pin LOW Voltage           | STBL      | -0.3  | -    | 0.8   | V    |                                   |
| STB Pull Down Resistance      | RSTB      | 600   | 1000 | 1400  | kΩ   | VSTB=3.0V                         |
| <b>【PWM Block】</b>            |           |       |      |       |      |                                   |
| PWM Pin HIGH Voltage          | PWM_H     | 1.5   | -    | 18    | V    |                                   |
| PWM Pin LOW Voltage           | PWM_L     | -0.3  | -    | 0.8   | V    |                                   |
| PWM Pin Pull Down Resistance  | RPWM      | 600   | 1000 | 1400  | kΩ   | VPWM=3.0V                         |
| <b>【FAIL Block】</b>           |           |       |      |       |      |                                   |
| CP Detect Voltage             | VCP       | 2.85  | 3.0  | 3.15  | V    | VCP=SWEEP UP                      |
| CP Charge Current             | ICP       | 2.7   | 3.0  | 3.3   | μA   |                                   |

## 2.1 Pin Function

| No. | Pin Name | IN/OUT | Function  | Rating [V] |
|-----|----------|--------|---|------------|
| 1   | VCC      | In     | Power supply pin                                  | -0.3 to 36 |
| 2   | STB      | In     | IC ON/OFF pin                                     | -0.3 to 20 |
| 3   | OVP      | In     | Over voltage protection detection pin             | -0.3 to 20 |
| 4   | UVLO     | In     | Under voltage lock out detection pin              | -0.3 to 20 |
| 5   | SS       | Out    | Slow start setting pin                            | -0.3 to 7  |
| 6   | PWM      | In     | External PWM dimming signal input pin             | -0.3 to 20 |
| 7   | CP       | Out    | Charge timer for abnormal state                   | -0.3 to 7  |
| 8   | ADIM     | In     | ADIM signal input pin                             | -0.3 to 20 |
| 9   | RT       | Out    | DC/DC switching frequency setting pin             | -0.3 to 7  |
| 10  | FB       | Out    | Error amplifier output pin                        | -0.3 to 7  |
| 11  | ISENSE   | In     | LED current detection input pin                   | -0.3 to 7  |
| 12  | GND      | -      | -   |            |
| 13  | DIMOUT   | Out    | Dimming signal output for NMOS                    | -0.3 to 7  |
| 14  | GATE     | Out    | DC/DC switching output pin                        | -0.3 to 7  |
| 15  | CS       | In     | DC/DC output current detect pin,<br>OCP input pin | -0.3 to 7  |
| 16  | REG58    | Out    | 5.8V output voltage pin and shutdown<br>timer pin | -0.3 to 7  |

2.2 Pin ESD Type

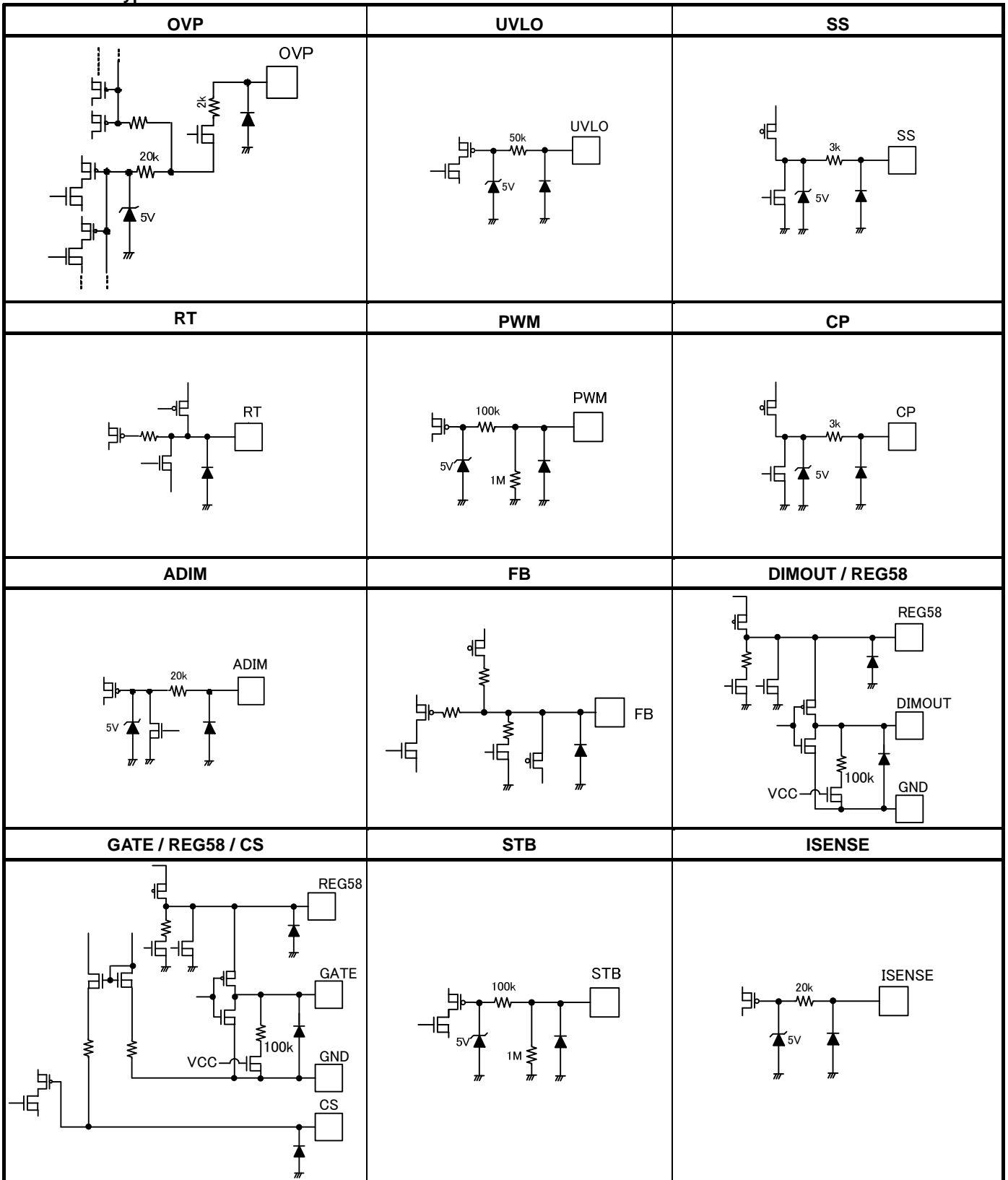


Figure 5. Pin ESD Type

2.3 Block Diagram

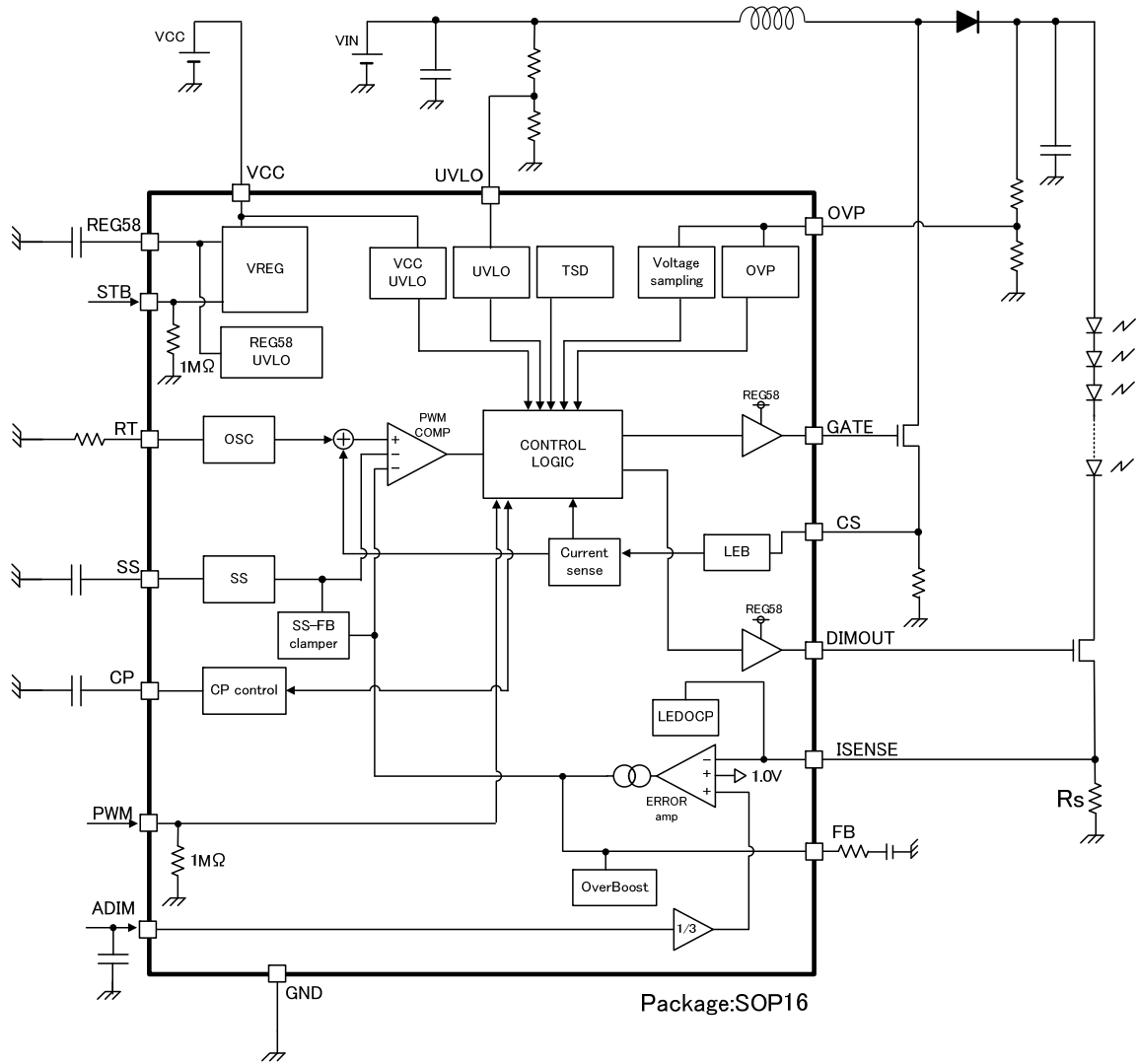


Figure 6. Block Diagram

2.4 Typical Performance Curves (Reference data)

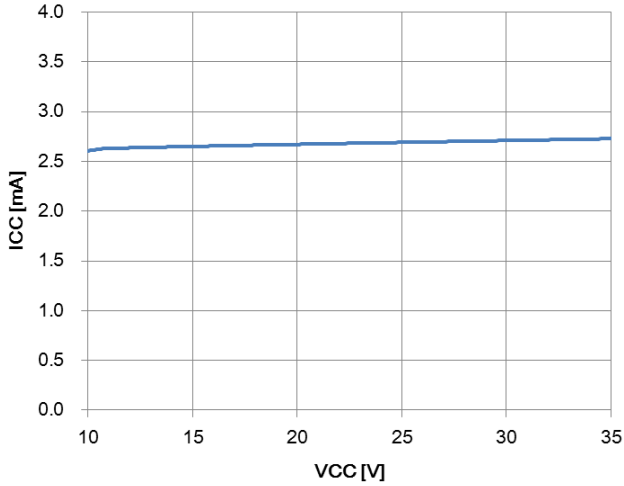


Figure 7. Circuit Current (operating mode)

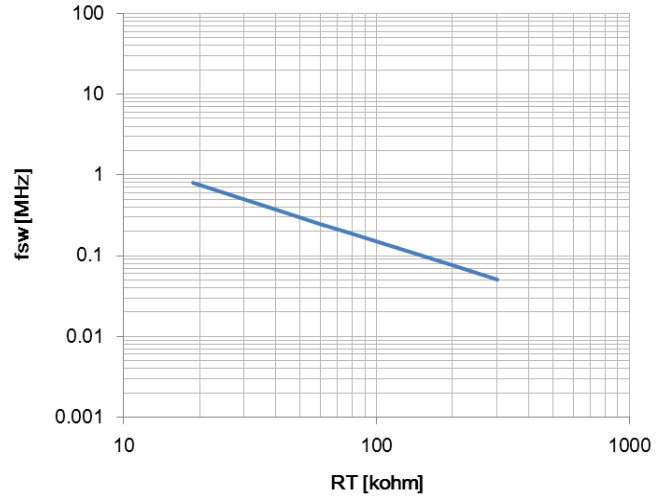


Figure 8. Fsw vs RT

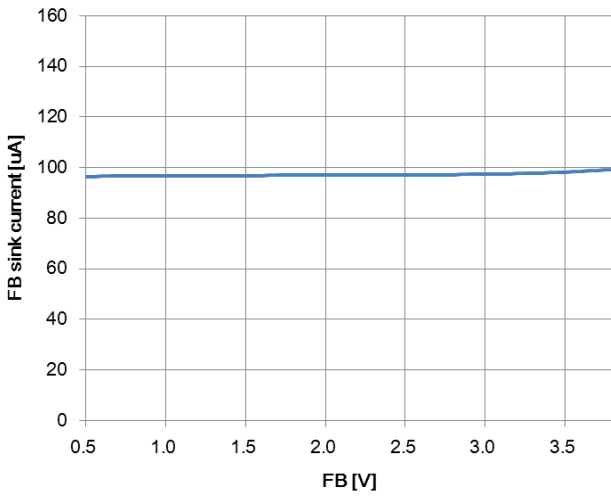


Figure 9. FB sink current vs FB voltage

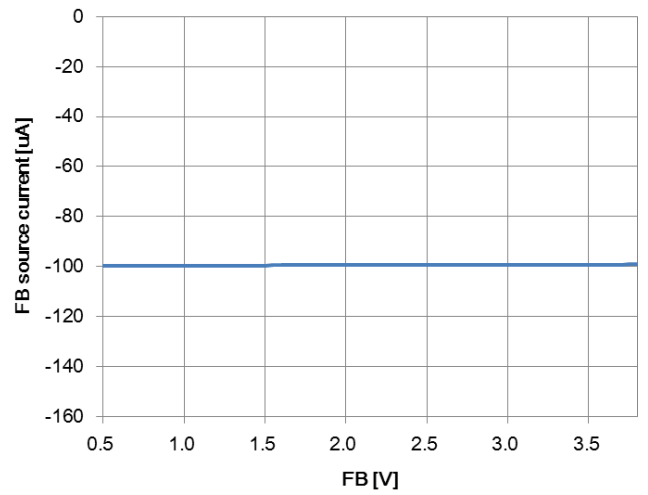


Figure 10. FB source current vs FB voltage

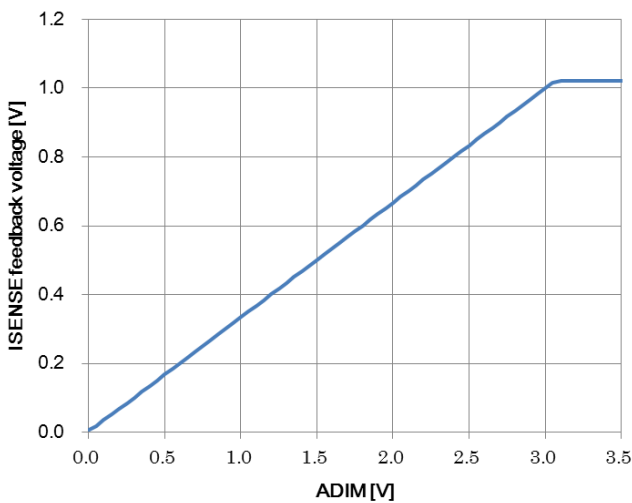


Figure 11. ISENSE feedback voltage vs ADIM voltage



## 2.5 Pin Function

**OPin 1: VCC**

This is the power supply pin of the IC. Input range is from 9V to 35V.  
The operation starts at more than 7.5V(typ) and shuts down at less than 7.2V(typ)

**OPin 2: STB**

This is the ON/OFF setting terminal of the IC. Input reset-signal to this terminal to reset IC from latch-off.  
At startup, internal bias starts at high level, and then PWM DCDC boost starts after PWM rise edge inputs.  
The high level of the STB pin can set the enable of the retaining of the output voltage. Please refer the section "2.8 the Retaining Function of The Output Voltage".

| State                         | STB input voltage |
|-------------------------------|-------------------|
| Enable of the keep voltage    | STB=8.5V to 19.0V |
| Disenable of the keep voltage | STB=2.0V to 6.5V  |

Note: IC status (IC ON/OFF) transits depending on the voltage inputted to STB terminal. Avoid the use of intermediate level (from 0.8V to 2.0V).

In order to discharge output voltage while STB=L and REG58UVLO=H, DIMOUT can assert High, depending on PWM logic. About discharge behavior at end, please refer to section "3.5.3 Timing Chart" or section "3.2.2 Shutdown Method and REG58 Capacitance Setting".

**OPin 3: OVP**

The OVP terminal is the input for over-voltage protection. If OVP is more than 3.0V(typ), the over-voltage protection (OVP) will work. At the moment of these detections, it sets GATE=L, DIMOUT=L and starts to count up the abnormal interval. If OVP detection continued to count four GATE clocks, IC reaches latch off. (Please refer to "3.5.5 Timing Chart")  
The OVP pin is high impedance, because the internal resistance is not connected to a certain bias.  
Even if OVP function is not used, pin bias is still required because the open connection of this pin is not a fixed potential.  
The setting example is separately described in the section "3.2.7 OVP Setting".  
As PWM=L interval, IC operates to keep the OVP pin voltage therefore the output voltage. Please refer the section "2.8 the Retaining Function of The Output Voltage".

**OPin 4: UVLO**

Under Voltage Lock Out pin is the input voltage of the power stage. , IC starts the boost operation if UVLO is more than 3.0V(typ) and stops if lower than 2.7V(typ).  
The UVLO pin is high impedance, because the internal resistance is not connected to a certain bias.  
Even if UVLO function is not used, pin bias is still required because the open connection of this pin is not a fixed potential.  
The setting example is separately described in the section "3.2.6 UVLO Setting"

**OPin 5: SS**

This is the pin which sets the soft start interval of DC/DC converter. It performs the constant current charge of 3.0  $\mu$ A to external capacitance  $C_{ss}$ . The switching duty of GATE output will be limited during 0V to 3.7V of the SS voltage.  
So the soft start interval  $T_{ss}$  can be expressed as follows

$$T_{ss} = 1.23 \times 10^6 \times C_{ss} \quad C_{ss}: \text{the external capacitance of the SS pin.}$$

The logic of SS pin asserts low is defined as the latch-off state or PWM is not input high level after STB reset release.  
When SS capacitance is under 1nF, take note if the in-rush current during startup is too large, or if over boost detection (FBMAXI) mask timing is too short.  
Please refer to soft start behavior in the section "3.5.4 Timing Chart".

**OPin 6: PWM**

This is the PWM dimming signal input terminal. The high / low level of PWM pins are the following.

| State | PWM input voltage |
|-------|-------------------|
| PWM=H | PWM=1.5V to 18.0V |
| PWM=L | PWM=-0.3V to 0.8V |

**OPin 7: CP**

Timer pin for counting the abnormal state of the over boost protection (FBMAX). If the abnormal state is detected, the CP pin starts charging the external capacitance by 3 $\mu$ A. As the CP voltage reaches 3.0V, IC will be latched off. (GATE=L, DIMOUT=L).  
Please refer to section "3.2.8 Interval Until Latch Off Setting", for detailed explanation.

**OPin 8: ADIM**

This is the input pin for analog dimming signal. The ISENSE feedback point is set as 1/3 of this pin bias. If more than 3.0V is input, ISENSE feedback voltage is clamped to limit to flow LED large current. In this condition, the input current is caused. Please refer to <ISENSE> terminal explanation.

**OPin 9: RT**

This is the DC/DC switching frequency setting pin. DCDC frequency is decided by connected resistor.

○The relationship between the frequency and RT resistance value (ideal)

$$R_{RT} = \frac{15000}{f_{SW} [kHz]} [k\Omega]$$

The oscillation setting ranges from 50kHz to 800kHz.

The setting example is separately described in the section "3.2.5 DCDC Oscillation Frequency Setting"

The fail logic indicating the abnormal state can be obtained by using the right circuit example. The gate capacitor of M1 is limited to 200pF. RE1C001VN is recommended as M1. The RT pin output the 2.0V(typ.) in the normal state and drops to 0V in the latch off state. The fail voltage may be momentary unstable as REG58 drops to 0V. But this can be prevented by connecting capacitor C1.

Please refer to section "2.7 Behavior List of the Protect Functions" or "3.5 Timing Chart".

**OPin 10: FB**

This is the output terminal of error amplifier.

FB pin rises with the same slope as the SS pin during the soft-start period.

After soft -start completion (SS>3.7V), it operates as follows.

When PWM=H, it detects ISENSE terminal voltage and outputs error signal compared to analog dimming signal (ADIM). When PWM=L, IC holds the OVP voltage at the edge of PWM=H to L, and operates to hold the adjacent voltage. Please refer to section "3.5 Timing Chart".

It detects over boost (FBMAX) over FB=4.0V(typ). After the SS completion, if FB>4.0V and PWM=H continues 4clk GATE, the CP charge is starts. After that, only the FB>4.0V is monitored, if CP charge continues to the CP=3.0V, IC will be latched off. (Please refer to section "3.5.6 Timing Chart".)

The loop compensation setting is described in section "3.4 Loop Compensation".

**OPin 11: ISENSE**

This is the input terminal for the current detection. Error amplifier compares the lower one among 1/3 of the voltage terminal ADIM analog dimming and 3.0V(typ). And it detects abnormal LED overcurrent at ISENSE=3.0V(typ) over. If GATE terminal continues during four CLKs (equivalent to 40us at fosc = 100kHz), it becomes latch-off. (Please refer to section "3.5.7 Timing Chart".)

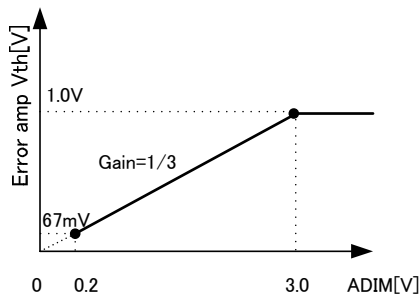


Figure 13. Relationship of the feedback voltage and ADIM

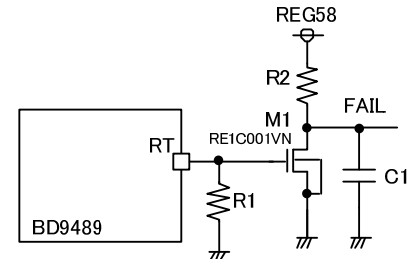


Figure 12. RT terminal circuit example

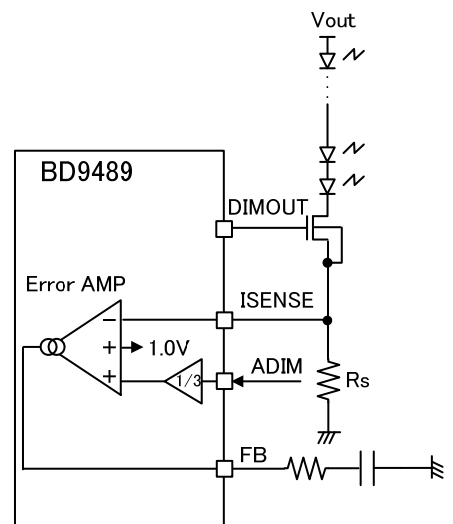
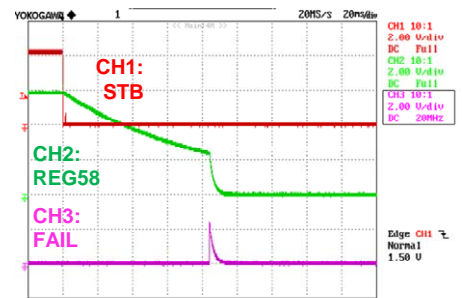


Figure 14. ISENSE terminal circuit example

**OPin 12: GND**

This is the GND pin of the IC.

**OPin 13: DIMOUT**

This is the output pin for external dimming NMOS. The table below shows the rough output logic of each operation state, and the output H level is REG58. Please refer to “3.5 Timing Chart” for detailed explanations, because DIMOUT logic has an exceptional behavior. Please insert the resistor  $R_{DIM}$  between the dimming MOS gate to improve the over shoot of LED current, as PWM turns from low to high.

| Status   | DIMOUT output     |
|----------|-------------------|
| Normal   | Same logic to PWM |
| Abnormal | GND Level         |

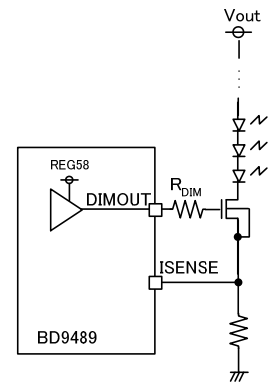


Figure 15. DIMOUT terminal circuit example

**OPin 14: GATE**

This is the output terminal for driving the gate of the boost MOSFET. The high level is REG58. Frequency can be set by the resistor connected to RT. Refer to <RT> pin description for the frequency setting. When PWM=L, IC holds the OVP voltage at the edge of PWM=H to L, and operates to hold the adjacent voltage. Please refer to section “3.5 Timing Chart”.

When PWM=L, IC outputs the necessary boost pulse to startup or to keep the output voltage. Please refer to section “2.8 The Retaining Function of The Output Voltage”.

As the retaining of the output voltage is enable, the GATE pulse is not output at the boundary of PWM logic such as High to Low, or as Low to High.

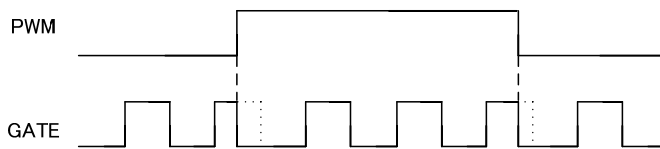


Figure16. The GATE waveform as PWM dimming

As the retaining of the output voltage is disable, the GATE pulse is synchronized with the timing of PWM=L -> H

**OPin 15: CS**

The CS pin has two functions.

1. DC / DC current mode Feedback terminal

The inductor current is converted to the CS pin voltage by the sense resistor  $R_{CS}$ . This voltage compared to the voltage set by error amplifier controls the output pulse.

2. Inductor current limit (OCP) terminal

The CS terminal also has an over current protection (OCP). If the voltage is more than 0.4V(typ.), the switching operation will be stopped compulsorily. And the next boost pulse will be restarted to normal frequency. In addition, the CS voltage is more than 1.0V(typ.) during four GATE clocks, IC will be latch off. As above OCP operation, if the current continues to flow nevertheless GATE=L because of the destruction of the boost MOS, IC will stops the operation completely.

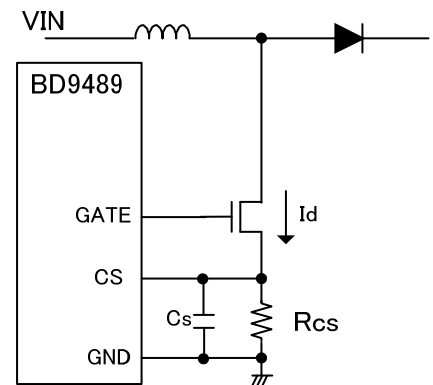


Figure 17. CS terminal circuit example

Both of the above functions are enabled after 300ns (typ) when GATE pin asserts high, because the Leading Edge Blanking function (LEB) is included into this IC to prevent the effect of noise.

Please refer to section “3.3.1 OCP Setting / Calculation Method for the Current Rating of DCDC Parts”, for detailed explanation.

If the capacitance  $C_s$  in the right figure is increased to a micro order, please be careful that the limited value of NMOS drain current  $I_d$  is more than the simple calculation. Because the current  $I_d$  flows not only through  $R_{cs}$  but also through  $C_s$ , as the CS pin voltage moves according to  $I_d$ .

**OPin 16: REG58**

This is the 5.8V(typ.) output pin. Available current is 15mA (min).

And this terminal is also used as timer for discharging DCDC output capacitor.

Please refer to section “3.2.2 Shutdown Method and REG58 Capacitance Setting”, for detailed explanation.

## 2.6 Detection Condition List of the Protect Functions (TYP Condition)

| Protect Function | Detection Pin | Detect Condition    |         |         | Release Condition | Timer Operation | Protection Type    |
|------------------|---------------|---------------------|---------|---------|-------------------|-----------------|--------------------|
|                  |               | Detection Condition | PWM     | SS      |                   |                 |                    |
| FBMAX            | FB            | FB > 4.0V           | H(4clk) | SS>3.7V | FB < 4.0V         | CP charge       | Latch off          |
| LED OCP          | ISENSE        | ISENSE > 3.0V       | -       | -       | ISENSE < 3.0V     | 4clk            | Latch off          |
| RT GND SHORT     | RT            | RT<VRT×90%          | -       | -       | Release RT=GND    | NO              | Restart by release |
| RT HIGH SHORT    | RT            | RT>5V               | -       | -       | Release RT=HIGH   | NO              | Restart by release |
| UVLO             | UVLO          | UVLO<2.7V           | -       | -       | UVLO>3.0V         | NO              | Restart by release |
| REG58UVLO        | REG58         | REG58<2.3V          | -       | -       | REG58>2.6V        | NO              | Restart by release |
| VCC UVLO         | VCC           | VCC<7.2V            | -       | -       | VCC>7.5V          | NO              | Restart by release |
| OVP              | OVP           | OVP>3.0V            | -       | -       | OVP<2.8V          | 4clk            | Latch off          |
| OCP              | CS            | CS>0.4V             | -       | -       | -                 | NO              | Pulse by Pulse     |
| OCP LATCH        | CS            | CS>1.0V             | -       | -       | CS<1.0V           | 4clk            | Latch off          |

To reset the latch type protection, please set STB logic to 'L' once. Otherwise the detection of VCCUVLO, REG58UVLO is required.

The clock number of timer operation corresponds to the boost pulse clock.

## 2.7 Behavior List of the Protect Function

| Protect Function | Operation of the Protect Function |                                   |                       |                           |
|------------------|-----------------------------------|-----------------------------------|-----------------------|---------------------------|
|                  | DC/DC Gate Output                 | Dimming Transistor (DIMOUT) Logic | SS Pin                | RT pin (FAILB logic)      |
| FBMAX            | Stops after latch                 | L after latch                     | discharge after latch | L after latch             |
| LED OCP          | Stops immediately                 | H immediately, L after latch      | discharge after latch | L after latch             |
| RT GND SHORT     | Stops immediately                 | immediately L                     | Not discharge         | -                         |
| RT HIGH SHORT    | Stops immediately                 | immediately L                     | Not discharge         | -                         |
| STB              | Stops immediately                 | L after REG58UVLO detects         | discharge immediately | L after REG58UVLO detects |
| UVLO             | Stops immediately                 | immediately L                     | discharge immediately | H (2.0V)                  |
| REG58UVLO        | Stops immediately                 | immediately L                     | discharge immediately | H (2.0V)                  |
| VCC UVLO         | Stops immediately                 | immediately L                     | discharge immediately | H (2.0V)                  |
| OVP              | Stops immediately                 | immediately L                     | discharge after latch | L after latch             |
| OCP              | Stops immediately                 | Normal operation                  | Not discharge         | H (2.0V)                  |
| OCP LATCH        | Stops after latch                 | L after latch                     | discharge after latch | L after latch             |

Please refer to section "3.5 Timing Chart" for details.

2.8 The Retaining Function of The Output Voltage

In the conventional method, as PWM=L, IC operates no boost pulse (GATE=L), no LED load (DIMOUT=L), FB is the high impedance. But if PWM=L continues for a long time, Vout and FB is discharged gradually. And at the timing of PWM=H again, the problem is caused such as the in-rush current to the output capacitor Cout.

To solve this problem, IC built in the retaining function of the output voltage VOUT during PWM=L. As the high level of the STB pin is set in the following table, IC holds the output voltage (OVP pin voltage), the FB voltage at the negative edge of PWM. Based on those hold values, IC output the boost pulse and keep the output voltage nevertheless PWM=L.

| State                         | STB input voltage |
|-------------------------------|-------------------|
| Enable of the keep voltage    | STB=8.5V to 19.0V |
| Disenable of the keep voltage | STB=2.0V to 6.5V  |

OThe operation of the retaining function of the output voltage

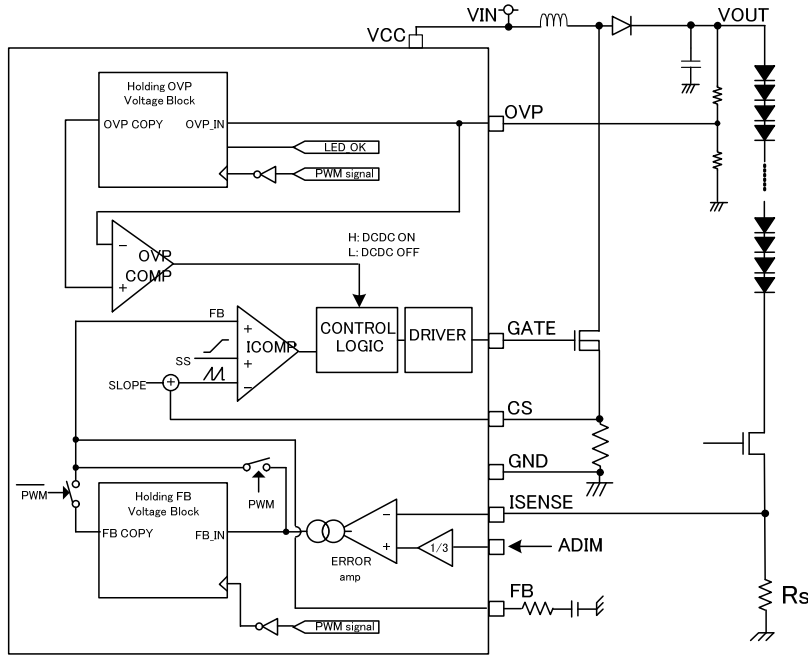


Figure 18. The block diagram of the retaining function

IC holds the OVP terminal voltage VOVP and FB terminal voltage VFB at the timing PWM=High turns to Low. We defines those as VOVPkeep, VFBkeep. The OVP terminal voltage is smaller than VOVPkeep, the boost pulse is output even if the interval PWM=Low. The pulse width is decided by the VFBkeep. This function enables IC keep the output voltage VOUT as PWM=0% and decrease the in-rush current when PWM asserts high again. And that enables the fast startup in low PWM duty.

The resolution of the holding the FB and OVP terminal voltage is 0.1V.

This retaining function of the output voltage is described as below focusing the startup and the low duty PWM.

OThe startup operation of the retaining function of the output voltage

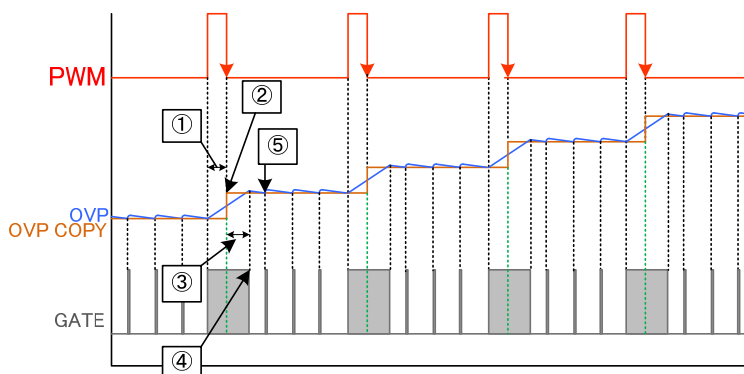


Figure 19. the startup operation of the retaining function

As the startup, the retaining function of the output voltage operates as following to boost the output with less influence of PWM duty.

1. IC operates the boost normally as PWM=High.
2. At the timing that PWM turns from High to Low, the OVP voltage is memorized into IC. VOVPkeep IC holds is above voltage of the resolution. For instance, if OVP terminal voltage is 2.43V, the copied voltage into IC is 2.5V.
3. IC compares VOVPkeep and the OVP terminal voltage, if OVP is smaller than VOVPkeep, the boost pulse is output. That is, the quick startup is realized by boosting to the higher voltage as one LSB than the present OVP during PWM=Low.
4. If OVP is larger than VOVPkeep, the boost pulse is stopped.
5. Even if the output voltage is discharged during PWM=Low, that is retained by the boost pulse which try to keep the OVP voltage close to VOVPkeep, on the other hand.

#### OThe low duty PWM operation of the retaining function of the output voltage

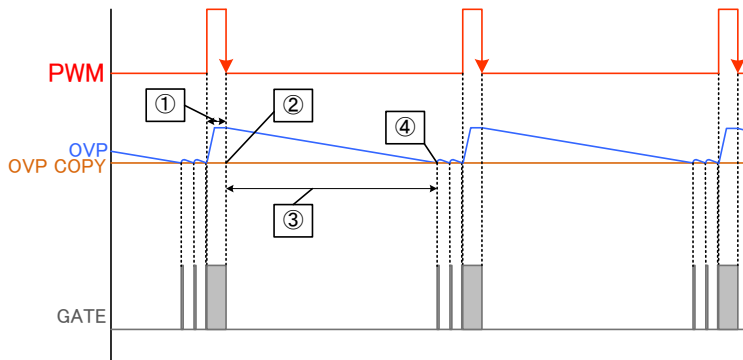


Figure 20. The low duty PWM operation of the retaining function

In the method the boost pulse is output only as PWM=H, the output voltage is decreased as the low PWM or PWM=0%. On the other hand, this product retains the output voltage VOUT by generating the boost pulse during PWM=L.

1. IC operates the boost normally as PWM=High.
2. At the timing that PWM turns from High to Low, the OVP voltage is memorized into IC. VOVPkeep IC holds is below voltage of the resolution. For instance, if OVP terminal voltage is 2.43V, the copied voltage into IC is 2.4V.
3. The output voltage VOUT is discharged by the load such as the divided resistor of the OVP terminal.
4. If OVP is smaller than VOVPkeep, the boost pulse is output. If OVP is larger than VOVPkeep, the boost pulse is stopped.

As PWM is 0%, the number 4 item state lasts continuously, the output voltage do not decrease by the discharge.

If the interval of PWM=H is smaller than four GATE clock after the soft start is completed, this sampling operation is stopped. (On the other hand, the boost pulse is output during PWM=L.)

#### OThe BIT rule of sampling OVP voltage

There are two cases sampling above voltage of the resolution and below voltage of that in the previous remark. The condition which voltage will be sampled is described below.

The case sampling above voltage of LSB

- The state LED current is not enough (LED\_OK=L)
- The state OVP is detecting

The case sampling below voltage of LSB

- The state LED current is enough (LED\_OK=H)
- The state OVP is released

Once LED\_OK=H is asserted, the logic LED\_OK=H is latched till the reset.

Note: The reason sampling above voltage of LSB

The OVP detection stops DCDC at OVP=3V. If the below voltage of LSB is sampled as PWM turns to low, IC keeps 2.9V. This tends to release OVP detection. This is why the above voltage is sampled in the OVP detection.

3.1 Application Circuit Example

Introduce an example application using the BD9489F.

3.1.1 Basic Application Example

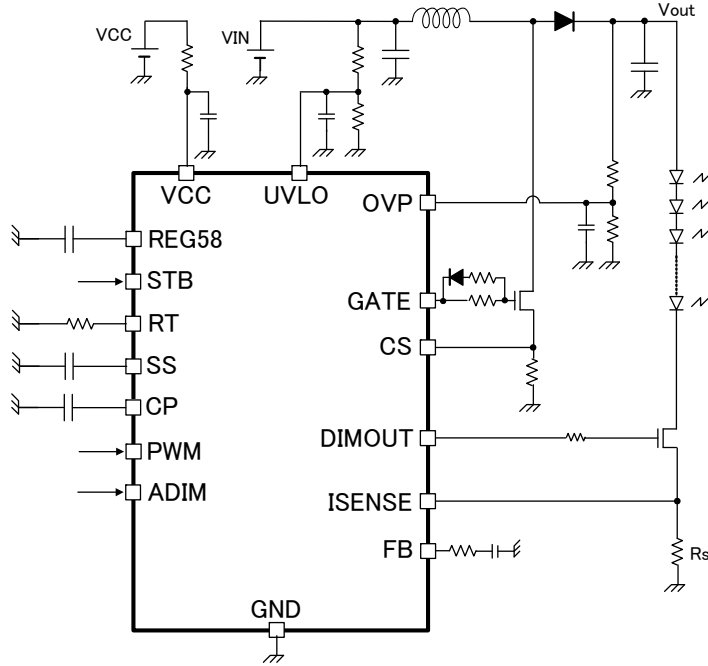


Figure 21. Basic application example

3.1.2 Analog Dimming or PWM Dimming Examples

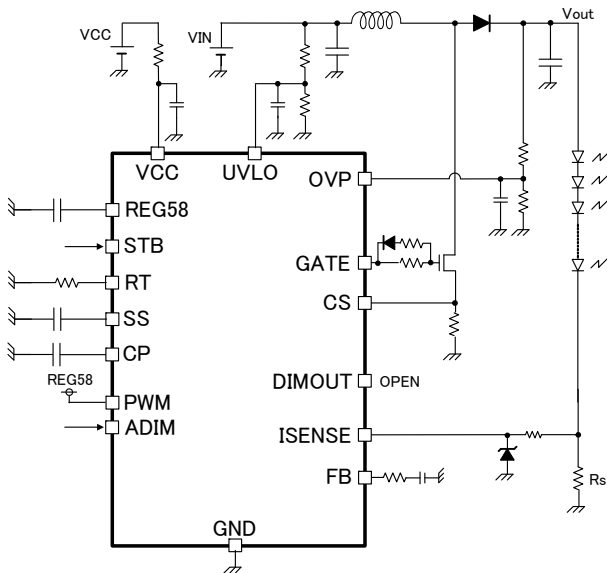


Figure 22. Example circuit for analog dimming

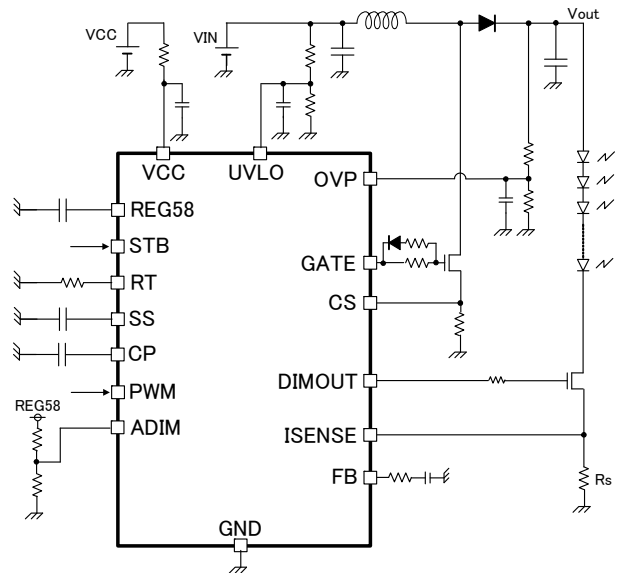


Figure 23. Example circuit for PWM dimming



## 3.2 External Components Selection

### 3.2.1 Start Up Operation and Soft Start External Capacitance Setting

The below explanation is the start up sequence of this IC

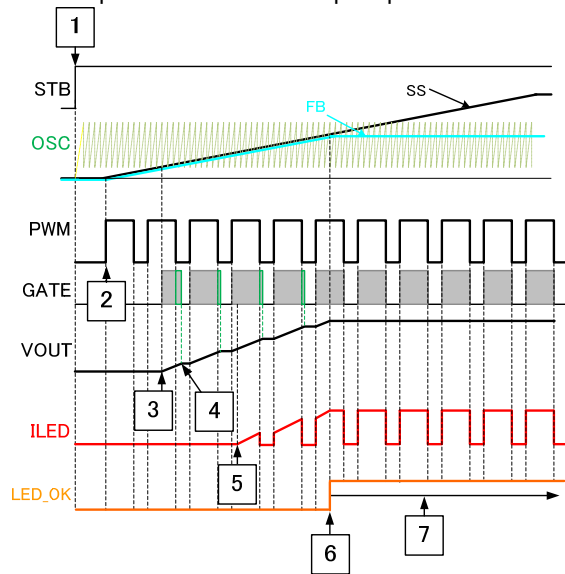


Figure 24. Startup waveform

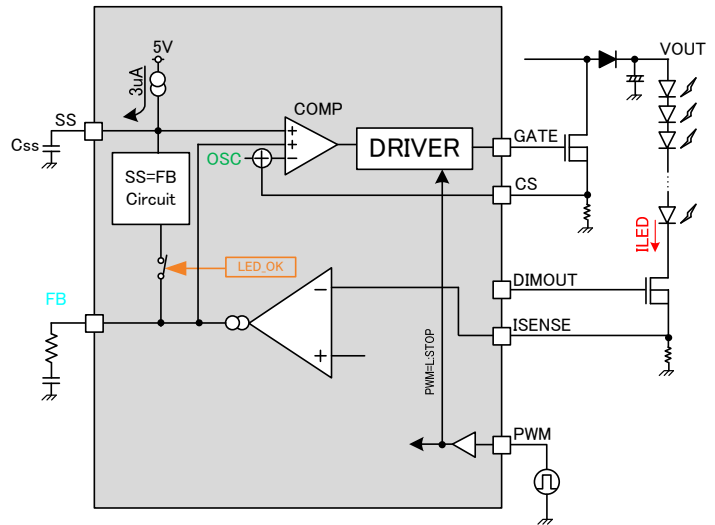


Figure 25. Circuit behavior at startup

#### ○Explanation of start up sequence

1. Reference voltage REF58 starts by STB=H.
2. SS starts to charge at the time of first PWM=H. At this moment, the SS voltage of slow-start starts to equal FB voltage, and the circuit becomes FB=SS regardless of PWM logic.
3. When FB=SS reaches the lower point of internal sawtooth waveform, GATE terminal outputs pulse and starts to boost VOUT.
4. The retaining function of the output voltage enables the quick startup by boosting the VOUT to a certain level nevertheless PWM=L. Please refer the section "2.8 The Retaining Function of The Output Voltage".
5. It boosts VOUT and VOUT reaches the voltage to be able to flow LED current.
6. If LED current flows over decided level, FB=SS circuit disconnects and startup behavior completes.
7. Then it works normal operation by feedback of ISENSE terminal. If LED current doesn't flow when SS becomes over 3.7V, SS=FF circuit completes forcibly and FBMAX protection starts.

#### ○Method of setting SS external capacitance

According to the sequence described above, start time  $T_{ss}$  that startup completes with FB=SS condition is the time that FB voltage reaches the feedback point.

The capacitance of SS terminal is defined as  $C_{ss}$  and the feedback voltage of FB terminal is defined as  $V_{FB}$ . The equality on  $T_{FB}$  is as follows.

$$T_{ss} = \frac{C_{ss}[\mu F] \times V_{FB}[V]}{3[\mu A]} \quad [\text{sec}]$$

If  $C_{ss}$  is set to a very small value, rush current flows into the inductor at startup.

On the contrary, if  $C_{ss}$  is enlarged too much, LED will light up gradually.

Since  $C_{ss}$  differs in the constant set up with the characteristic searched for and differs also by factors, such as a voltage rise ratio, an output capacitance, DCDC frequency, and LED current, please confirm with the system.

#### 【Setting example】

When  $C_{ss}=0.1\mu F$ ,  $I_{ss}=3\mu A$ , and startup completes at  $V_{FB}=3.7V$ , SS setting time is as follows.

$$T_{ss} = \frac{0.1 \times 10^{-6} [F] \times 3.7 [V]}{3 \times 10^{-6} [A]} = 0.123 \quad [\text{sec}]$$



**3.2.2 Shutdown Method and REG58 Capacitance Setting**

When this IC shuts down, VOUT discharge function works. Indicated below is the sequence.

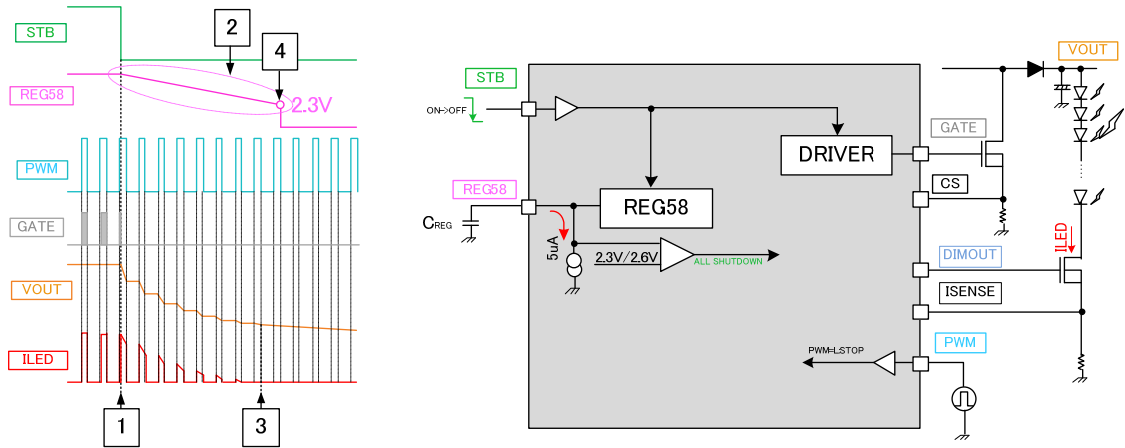


Figure 26. The waveform and diagram at shutdown

**OSequence explanation of shutdown**

1. When STB=L, GATE and REG58 stop.
2. While STB=L and REG58UVLO=H, DIMOUT asserts the same logic of PWM. And VOUT is discharged until REG58=5.8V reaches 2.3V by -5μA(typ.).
3. When VOUT is discharged enough by ILED, ILED doesn't get to flow.
4. When REG58 voltage reaches under 2.3V(typ), whole system is shutdown.

**OSetting method of REG58 capacitance**

When REG58 terminal capacitance is defined as C<sub>REG</sub>, shutdown time T<sub>OFF</sub> is decided by the following equation.

$$T_{OFF} = \frac{C_{REG}[\mu F] \times (5.8 - 2.3) [V]}{5 [\mu A]} \quad [sec]$$

When discharge function is used, PWM signal must be continuously inputted after STB=L.

VOUT discharge time is longest when PWM is set on minimum DUTY.

Please set C<sub>REG</sub> capacitance value with margin so that the system is shutdown after VOUT is discharged enough.

Please refer "1.6External Components Recommended Range" when setting C<sub>REG</sub> capacitance.

**3.2.3 VCC Series Resistance Setting**

Here are the following effects of inserting series resistor R<sub>vcc</sub> into VCC line.

(i) In order to drop the voltage VCC, it is possible to suppress the heat generation of the IC.

(ii) It can limit the inflow current to VCC line.

However, if resistance R<sub>VCC</sub> is set bigger, VCC voltage becomes under minimum operation voltage (VCC<9V). R<sub>VCC</sub> must be set to an appropriate series resistance.

IC's inflow current line I<sub>IN</sub> has the following inflow lines.

- IC's circuit current...ICC
- Current of RREG connected to REG58...IREG
- Current to drive FET's Gate...I<sub>GATE</sub>

These decide the voltage ΔV at R<sub>VCC</sub>.

VCC terminal voltage at that time can be expressed as follows.

$$VCC[V] = VIN[V] - (ICC[A] + IDCDC[A] + IREG[A]) \times RVCC[\Omega] > 9[V]$$

Here, judgement is the 9V minimum operation voltage.

Please consider a sufficient margin when setting the series resistor of VCC.

**[setting example]**

Above equation is translated as follows.

$$RVCC[\Omega] < \frac{VIN[V] - 9[V]}{ICC[A] + IDCDC[A] + IREG[A]}$$

When VIN=24V, ICC=2.0mA, RREG=10kΩ and IDCDC=2mA, R<sub>VCC</sub>'s value is calculated as follows.

$$RVCC[\Omega] < \frac{24[V] - 9[V]}{0.002[A] + 0.002[A] + 5.8[V]/10000[\Omega]} = 3.26[k\Omega]$$

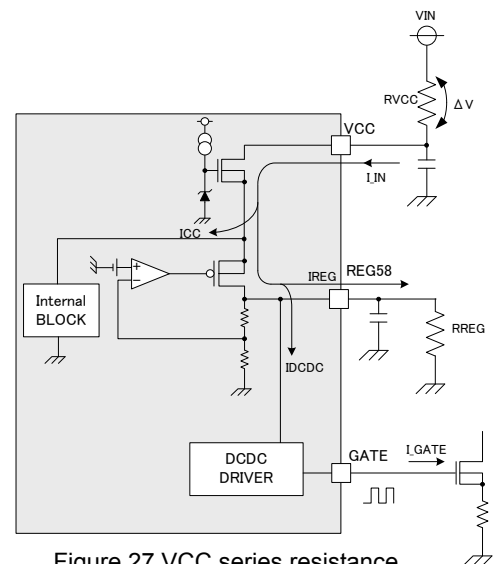


Figure 27.VCC series resistance circuit example

(ICC is 2.6mA(typ.)) . Please set each values with tolerance and margin.

**3.2.4 LED current setting**

LED current can be adjusted by setting the resistance  $R_s$  [ $\Omega$ ] which connects to ISENSE pin and ADIM[V].

**Relationship between  $R_s$  and  $I_{LED}$  current**

With DC dimming (ADIM<3.0V)

$$R_{ISENSE} = \frac{1}{3} \cdot \frac{ADIM[V]}{I_{LED}[A]} [\Omega]$$

Without DC dimming (ADIM>3.0V)

$$R_{ISENSE} = \frac{1.015[V]}{I_{LED}[A]} [\Omega]$$

**【setting example】**

If  $I_{LED}$  current is 200mA and ADIM is 2.0V, we can calculate  $R_{ISENSE}$  as below.

$$R_{ISENSE} = \frac{1}{3} \cdot \frac{ADIM[V]}{I_{LED}[A]} = \frac{1}{3} \cdot \frac{2.0[V]}{0.2[A]} = 3.33[\Omega]$$

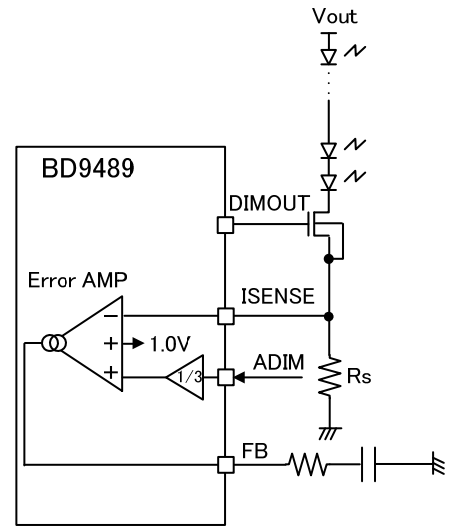


Figure 28. LED current setting example

**3.2.5 DCDC Oscillation Frequency Setting**

$R_{RT}$  which connects to RT pin sets the oscillation frequency  $f_{sw}$  of DCDC.

**Relationship between frequency  $f_{sw}$  and  $R_{RT}$  resistance (ideal)**

$$R_{RT} = \frac{15000}{f_{sw} [kHz]} [k\Omega]$$

**【setting example】**

When DCDC frequency  $f_{sw}$  is set to 200kHz,  $R_{RT}$  is as follows.

$$R_{RT} = \frac{15000}{f_{sw} [kHz]} = \frac{15000}{200[kHz]} = 75 [k\Omega]$$

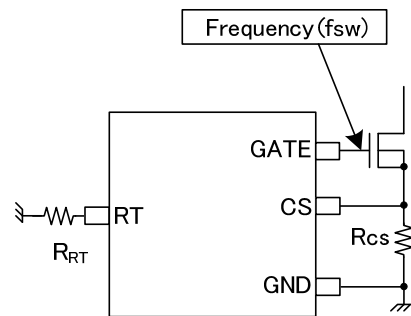


Figure 29. RT terminal setting example

### 3.2.6 UVLO Setting

Under Voltage Lock Out pin is the input voltage of the power stage. IC starts boost operation if UVLO is more than 3.0V(typ.) and stops if lower than 2.7V(typ.).

The UVLO pin is high impedance, because the internal resistance is not connected to a certain bias.

So, the bias by the external components is required, because the open connection of this pin is not a fixed potential.

Detection voltage is set by dividing resistors R1 and R2. The resistor values can be calculated by the formula below.

#### OVLLO detection equation

As VIN decreases, R1 and R2 values are set in the following formula by the VIN<sub>DET</sub> that UVLO detects.

$$R1 = R2[\text{k}\Omega] \times \frac{(\text{VIN}_{\text{DET}}[\text{V}] - 2.7[\text{V}])}{2.7[\text{V}]} \quad [\text{k}\Omega]$$

#### OVLLO release equation

R1 and R2 setting is decided by the equation above. The equation of UVLO release voltage is as follows.

$$\text{VIN}_{\text{CAN}} = 3.0\text{V} \times \frac{(R1[\text{k}\Omega] + R2[\text{k}\Omega])}{R2[\text{k}\Omega]} \quad [\text{V}]$$

#### 【setting example】

If the normal input voltage, VIN is 24V, the detect voltage of UVLO is 18V, R2 is 30kΩ, R1 is calculated as follows.

$$R1 = R2[\text{k}\Omega] \times \frac{(\text{VIN}_{\text{DET}}[\text{V}] - 2.7[\text{V}])}{2.7[\text{V}]} = 30[\text{k}\Omega] \times \frac{(18[\text{V}] - 2.7[\text{V}])}{2.7[\text{V}]} = 170.0 \quad [\text{k}\Omega]$$

By using these R1 and R2, the release voltage of UVLO, VIN<sub>CAN</sub>, can be calculated too as follows.

$$\text{VIN}_{\text{CAN}} = 3.0[\text{V}] \times \frac{(R1[\text{k}\Omega] + R2[\text{k}\Omega])}{R2[\text{k}\Omega]} = 3.0[\text{V}] \times \frac{170[\text{k}\Omega] + 30[\text{k}\Omega]}{30[\text{k}\Omega]} [\text{V}] = 20.0 \quad [\text{V}]$$

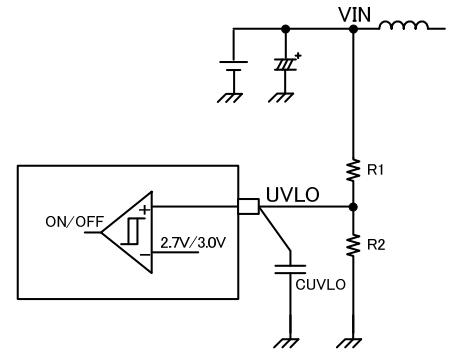


Figure 30. UVLO setting example

### 3.2.7 OVP Setting

The OVP terminal is the input for over-voltage protection of output voltage.

The OVP pin is high impedance, because the internal resistance is not connected to a certain bias.

Detection voltage of VOUT is set by dividing resistors R1 and R2. The resistor values can be calculated by the formula below.

#### OVP detection equation

If VOUT is boosted abnormally, VOVP<sub>DET</sub>, the detect voltage of OVP, R1, R2 can be expressed by the following formula.

$$R1 = R2[\text{k}\Omega] \times \frac{(\text{VOVP}_{\text{DET}}[\text{V}] - 3.0[\text{V}])}{3.0[\text{V}]} \quad [\text{k}\Omega]$$

#### OVP release equation

By using R1 and R2 in the above equation, the release voltage of OVP, VOVP<sub>CAN</sub> can be expressed as follows.

$$\text{VOVP}_{\text{CAN}} = 2.8\text{V} \times \frac{(R1[\text{k}\Omega] + R2[\text{k}\Omega])}{R2[\text{k}\Omega]} \quad [\text{V}]$$

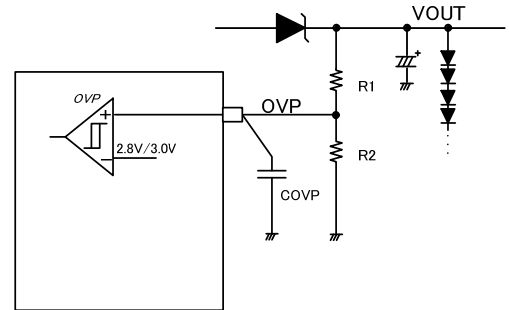


Figure 31. OVP setting example

#### 【setting example】

If the normal output voltage, VOUT is 40V, the detect voltage of OVP is 48V, R2 is 10kΩ, R1 is calculated as follows.

$$R1 = R2[\text{k}\Omega] \times \frac{(\text{VOVP}_{\text{DET}}[\text{V}] - 3.0[\text{V}])}{3.0[\text{V}]} = 10[\text{k}\Omega] \times \frac{(48[\text{V}] - 3[\text{V}])}{3[\text{V}]} = 150[\text{k}\Omega]$$

By using these R1 and R2, the release voltage of OVP, VOVP<sub>CAN</sub> can be calculated as follows.

$$\text{VOVP}_{\text{CAN}} = 2.8[\text{V}] \times \frac{(R1[\text{k}\Omega] + R2[\text{k}\Omega])}{R2[\text{k}\Omega]} = 2.8[\text{V}] \times \frac{10[\text{k}\Omega] + 150[\text{k}\Omega]}{10[\text{k}\Omega]} [\text{V}] = 44.8[\text{V}]$$

### 3.2.8 Interval Until Latch Off Setting

About over boost protection (FBMAX), the capacitance value of CP terminal can set the time of latch-off. About the behavior from abnormal detection to latch-off, please refer to the section “3.5.6 Timing Chart”.

The condition FB>4.0V(typ.) and PWM=H continues more than four GATE clocks, the CP terminal charge is started by 3μA. After that, only the FB voltage is monitored. As the CP voltage reaches to 3.0V(typ.), IC will be latched off.

The time LATCH<sub>TIME</sub> to reach to latch-off is set by CP terminal capacitance as follows.

$$\text{LATCH}_{\text{TIME}} = \frac{C_{\text{CP}}[\mu\text{F}] \cdot 3.0[\text{V}]}{3.0[\mu\text{A}]} \quad [\text{sec}]$$

#### 【setting example】

If the capacitor of CP pin is 0.47μF, the timer latch interval is as follows.

$$\text{LATCH}_{\text{TIME}} = \frac{0.47[\mu\text{F}] \cdot 3.0[\text{V}]}{3.0[\mu\text{A}]} = 470[\text{msec}]$$

3.3 DCDC Parts Selection

3.3.1. OCP Setting / Calculation Method for the Current Rating of DCDC Parts

OCP detection stops the switching when the CS pin voltage is more than 0.4V. The resistor value of CS pin, R<sub>CS</sub> needs to be considered by the coil L current. And the current rating of DCDC external parts is required more than the peak current of the coil.

Shown below are the calculation method of the coil peak current, the selection method of R<sub>CS</sub> (the resistor value of CS pin) and the current rating of the external DCDC parts at Continuous Current Mode.

(the calculation method of the coil peak current, I<sub>peak</sub> at Continuous Current Mode)

At first, since the ripple voltage at CS pin depends on the application condition of DCDC, the following variables are used.

V<sub>out</sub> voltage=V<sub>OUT</sub>[V]

LED total current=I<sub>OUT</sub>[A]

DCDC input voltage of the power stage =V<sub>IN</sub>[V]

Efficiency of DCDC =η[%]

And then, the average input current I<sub>IN</sub> is calculated by the following equation.

$$I_{IN} = \frac{V_{OUT}[V] \times I_{OUT}[A]}{V_{IN}[V] \times \eta[\%]} \quad [A]$$

And the ripple current of the inductor L (ΔI<sub>L</sub>[A]) can be calculated by using DCDC the switching frequency, f<sub>sw</sub>, as follows.

$$\Delta I_L = \frac{(V_{OUT}[V] - V_{IN}[V]) \times V_{IN}[V]}{L[H] \times V_{OUT}[V] \times f_{sw}[Hz]} \quad [A]$$

On the other hand, the peak current of the inductor I<sub>peak</sub> can be expressed as follows.

$$I_{peak} = I_{IN}[A] + \frac{\Delta I_L[A]}{2} \quad [A] \quad \dots (1)$$

Therefore, the bottom of the ripple current I<sub>min</sub> is

$$I_{min} = I_{IN}[A] - \frac{\Delta I_L[A]}{2} \quad \text{or } 0$$

If I<sub>min</sub>>0, the operation mode is CCM (Continuous Current Mode), otherwise the mode is DCM (Discontinuous Current Mode).

(the selection method of R<sub>CS</sub> at Continuous Current Mode)

I<sub>peak</sub> flows into R<sub>CS</sub> and that causes the voltage signal to CS pin. (Please refer to the timing chart at the right)

Peak voltage V<sub>CSpeak</sub> is as follows.

$$V_{CS_{peak}} = R_{CS} \times I_{peak} \quad [V]$$

As this V<sub>CSpeak</sub> reaches 0.4V, the DCDC output stops the switching.

Therefore, R<sub>CS</sub> value is necessary to meet the condition below.

$$R_{CS} \times I_{peak} [V] \ll 0.4[V]$$

(the current rating of the external DCDC parts)

The peak current as the CS voltage reaches OCP level (0.4V) is defined as I<sub>peak\_det</sub>.

$$I_{peak\_det} = \frac{0.4[V]}{R_{CS}[\Omega]} \quad [A] \quad \dots (2)$$

The relationship among I<sub>peak</sub> (equation (1)), I<sub>peak\_det</sub> (equation (2)) and the current rating of parts is required to meet the following

$$I_{peak} \ll I_{peak\_det} \ll \text{The current rating of parts}$$

Please make the selection of the external parts such as FET, Inductor, diode meet the above condition.

[setting example]

Output voltage = V<sub>OUT</sub> [V] = 40V

LED total current = I<sub>OUT</sub> [A] = 0.48V

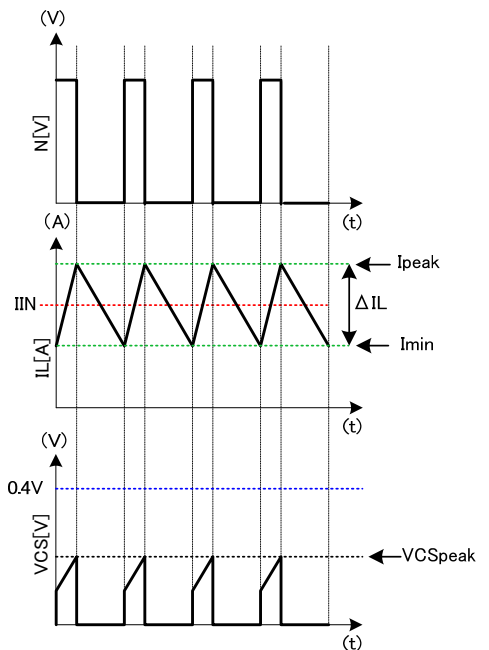
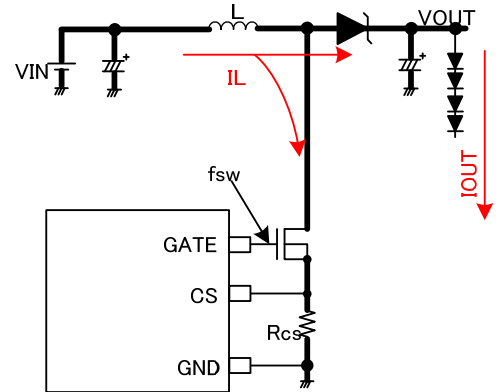


Figure 32. Coil current waveform

DCDC input voltage of the power stage =  $V_{IN}$  [V] = 24V

Efficiency of DCDC =  $\eta$  [%] = 90%

Averaged input current  $I_{IN}$  is calculated as follows.

$$I_{IN}[A] = \frac{V_{OUT}[V] \times I_{OUT}[A]}{V_{IN}[V] \times \eta[\%]} = \frac{40[V] \times 0.48[A]}{24[V] \times 90[\%]} = 0.89 \quad [A]$$

If the switching frequency,  $f_{sw} = 200\text{kHz}$ , and the inductor,  $L=100\mu\text{H}$ , the ripple current of the inductor L ( $\Delta I_L$ [A]) can be calculated as follows.

$$\Delta I_L = \frac{(V_{OUT}[V] - V_{IN}[V]) \times V_{IN}[V]}{L[H] \times V_{OUT}[V] \times f_{sw}[Hz]} = \frac{(40[V] - 24[V]) \times 24[V]}{100 \times 10^{-6}[H] \times 40[V] \times 200 \times 10^3[Hz]} = 0.48 \quad [A]$$

Therefore the inductor peak current,  $I_{peak}$  is

$$I_{peak} = I_{IN}[A] + \frac{\Delta I_L[A]}{2} [A] = 0.89[A] + \frac{0.48[A]}{2} = 1.13 \quad [A] \quad \dots \text{calculation result of the peak current}$$

If  $R_{cs}$  is assumed to be  $0.3\Omega$

$$V_{CS\_peak} = R_{cs} \times I_{peak} = 0.3[\Omega] \times 1.13[A] = 0.339 \quad [V] \ll 0.4V \quad \dots R_{cs} \text{ value confirmation}$$

The above condition is met.

And  $I_{peak\_det}$ , the current OCP works, is

$$I_{peak\_det} = \frac{0.4[V]}{0.3[\Omega]} = 1.33 \quad [A]$$

If the current rating of the used parts is 2A,

$$I_{peak} \ll I_{peak\_det} \ll \text{The current rating} \quad = 1.13[A] \ll 1.33[A] \ll 2.0[A] \quad \dots \text{current rating confirmation of DCDC parts}$$

This inequality meets the above relationship. The parts selection is proper.

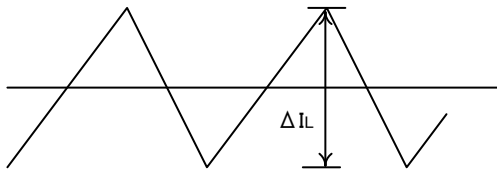
And  $I_{MIN}$ , the bottom of the IL ripple current, can be calculated as follows.

$$I_{MIN} = I_{IN}[A] - \frac{\Delta I_L[A]}{2} [A] = 1.13[A] - 0.48[A] = 0.65[A] \gg 0$$

This inequality implies that the operation is continuous current mode.

**3.3.2. Inductor Selection**

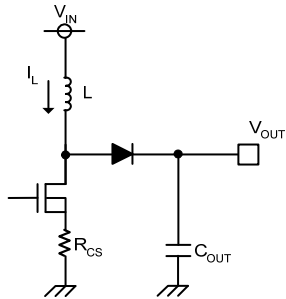
The inductor value affects the input ripple current, as shown the previous section 3.3.1.



$$\Delta I_L = \frac{(V_{OUT}[V] - V_{IN}[V]) \times V_{IN}[V]}{L[H] \times V_{OUT}[V] \times f_{SW}[Hz]} \quad [A]$$

$$I_{IN} = \frac{V_{OUT}[V] \times I_{OUT}[A]}{V_{IN}[V] \times \eta[\%]} \quad [A]$$

$$I_{peak} = I_{IN}[A] + \frac{\Delta I_L[A]}{2} \quad [A]$$



Where  
 L: coil inductance [H]                      V<sub>OUT</sub>: DCDC output voltage [V]  
 V<sub>IN</sub>: input voltage [V]  
 I<sub>OUT</sub>: output load current (the summation of LED current) [A]  
 I<sub>IN</sub>: input current [A]                      f<sub>sw</sub>: oscillation frequency [Hz]

Figure 33. Inductor current waveform and diagram

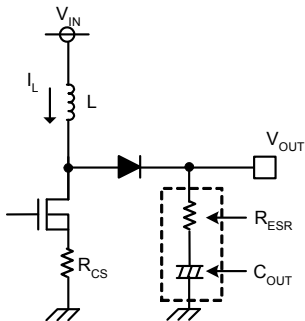
In continuous current mode, ΔIL is set to 30% to 50% of the output load current in many cases.

In using smaller inductor, the boost is operated by the discontinuous current mode in which the coil current returns to zero at every period.

\*The current exceeding the rated current value of inductor flown through the coil causes magnetic saturation, results in decreasing in efficiency. Inductor needs to be selected to have such adequate margin that peak current does not exceed the rated current value of the inductor.

\*To reduce inductor loss and improve efficiency, inductor with low resistance components (DCR, ACR) needs to be selected

**3.3.3. Output Capacitance Cout Selection**



Output capacitor needs to be selected in consideration of equivalent series resistance required to even the stable area of output voltage or ripple voltage. Be aware that set LED current may not be flown due to decrease in LED terminal voltage if output ripple component is high.

Output ripple voltage □V<sub>OUT</sub> is determined by Equation (4):

$$\Delta V_{out} = \Delta I_L \times R_{ESR}[V] \quad \dots \dots \dots (4)$$

When the coil current is charged to the output capacitor as MOS turns off, much output ripple is caused. Much ripple voltage of the output capacitor may cause the LED current

Figure 34. Output capacitor diagram                      ripple.

\* Rating of capacitor needs to be selected to have adequate margin against output voltage.

\*To use an electrolytic capacitor, adequate margin against allowable current is also necessary. Be aware that the LED current is larger than the set value transitionally in case that LED is provided with PWM dimming especially.

**3.3.4. MOSFET Selection**

There is no problem if the absolute maximum rating is larger than the rated current of the inductor L, or is larger than the sum of the tolerance voltage of C<sub>OUT</sub> and the rectifying diode V<sub>F</sub>. The product with small gate capacitance (injected charge) needs to be selected to achieve high-speed switching.

\* One with over current protection setting or higher is recommended.

\* The selection of one with small on resistance results in high efficiency.

**3.3.5. Rectifying Diode Selection**

A schottky barrier diode which has current ability higher than the rated current of L, reverse voltage larger than the tolerance voltage of C<sub>OUT</sub>, and low forward voltage V<sub>F</sub> especially needs to be selected.

3.4. Loop Compensation

A current mode DCDC converter has each one pole (phase lag)  $f_p$  due to CR filter composed of the output capacitor and the output resistance (= LED current) and zero (phase lead)  $f_z$  by the output capacitor and the ESR of the capacitor. Moreover, a step-up DCDC converter has RHP zero (right-half plane zero point)  $f_{ZRHP}$  which is unique with the boost converter. This zero may cause the unstable feedback. To avoid this by RHP zero, the loop compensation that the cross-over frequency  $f_c$ , set as follows, is suggested.

**$f_c = f_{ZRHP} / 5$  ( $f_{ZRHP}$ : RHP zero frequency)**

Considering the response speed, the calculated constant below is not always optimized completely. It needs to be adequately verified with an actual device.

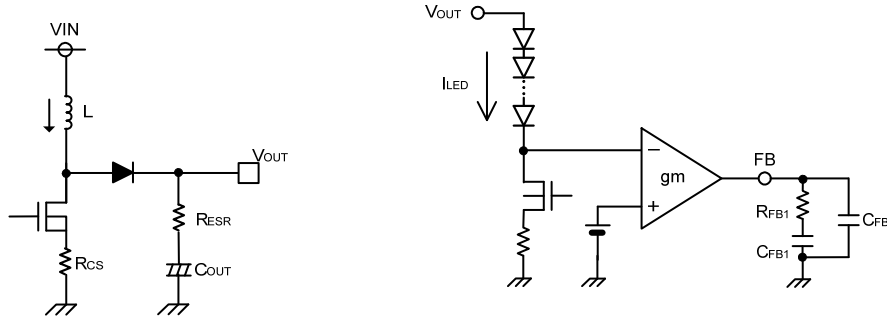


Figure 35. Output stage and error amplifier diagram

- i. Calculate the pole frequency  $f_p$  and the RHP zero frequency  $f_{ZRHP}$  of DC/DC converter

$$f_p = \frac{I_{LED}}{2\pi \times V_{OUT} \times C_{OUT}} \text{ [Hz]} \qquad f_{ZRHP} = \frac{V_{OUT} \times (1-D)^2}{2\pi \times L \times I_{LED}} \text{ [Hz]}$$

Where  $I_{LED}$  = the summation of LED current,  $D = \frac{V_{OUT} - V_{IN}}{V_{OUT}}$  (Continuous Current Mode)

- ii. Calculate the phase compensation of the error amp output ( $f_c = f_{ZRHP}/5$ )

$$R_{FB1} = \frac{f_{RHZP} \times R_{CS} \times I_{LED}}{5 \times f_p \times gm \times V_{OUT} \times (1-D)} \text{ [\Omega]}$$

$$C_{FB1} = \frac{1}{2\pi \times R_{FB1} \times f_c} = \frac{5}{2\pi \times R_{FB1} \times f_{ZRHP}} \text{ [F]}$$

$$gm = 4.0 \times 10^{-4} \text{ [S]}$$

Above equation is described for lighting LED without the oscillation. The value may cause much error if the quick response for the abrupt change of dimming signal is required.

To improve the transient response,  $R_{FB1}$  needs to be increased, and  $C_{FB1}$  needs to be decreased. It needs to be adequately verified with an actual device in consideration of variation from parts to parts since phase margin is decreased.



## 3.5. Timing Chart

## 3.5.1 PWM Start up 1 (Input PWM Signal After Input STB Signal)

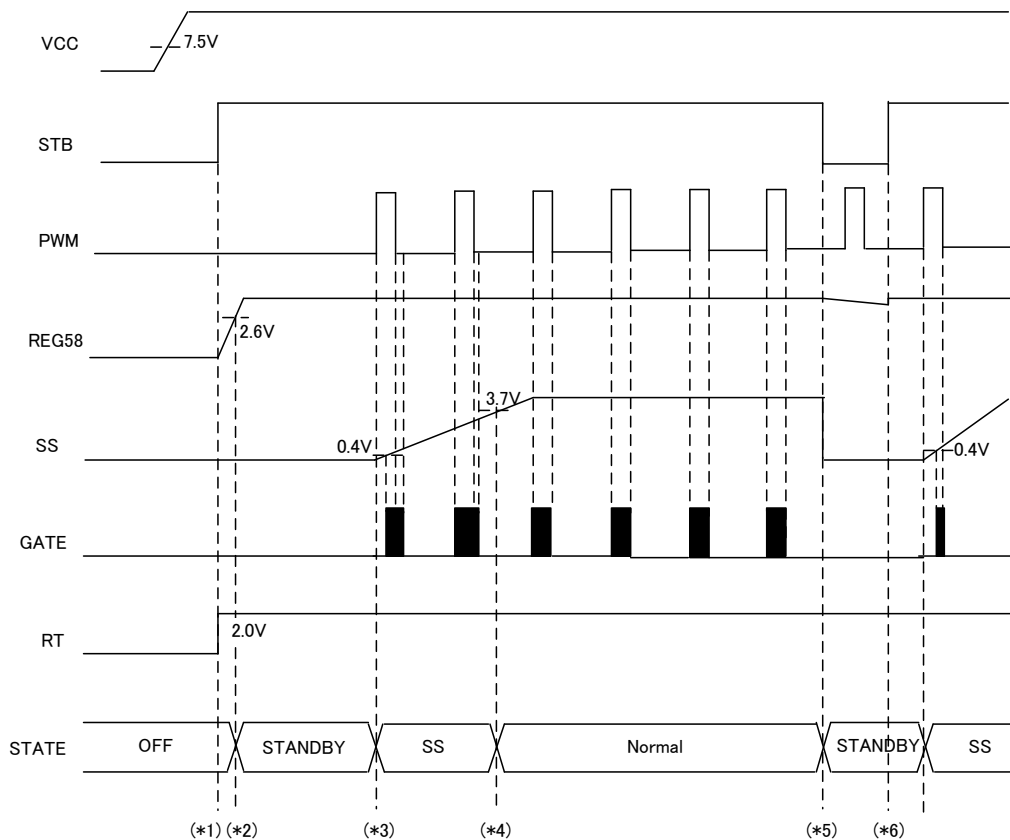


Figure 36. PWM Start up 1 (Input PWM Signal After Input STB Signal)

- (\*1)...REG58 starts up when STB is changed from Low to High. In the state where the PWM signal is not inputted, SS terminal is not charged and DCDC doesn't start to boost, either.
- (\*2)...When REG58 is more than 2.6V, the reset signal is released.
- (\*3)...The charge of the pin SS starts at the positive edge of PWM=L to H, and the soft start starts. And while the SS is less than 0.4V, the pulse does not output. The pin SS continues charging in spite of the assertion of PWM or OVP level. The GATE pulse is output by the retaining function of the output voltage, till the OVP level is reached to the certain level, even if PWM=L. Please refer the section "2.8 the Retaining Function of The Output Voltage" in detail.
- (\*4)...The soft start interval will end if the voltage of the pin SS,  $V_{SS}$  reaches 3.7V. By this time, it boosts  $V_{OUT}$  to the voltage where the set LED current flows. The abnormal detection of FBMAX starts to be monitored.
- (\*5)...As STB=L, the boost operation is stopped instantaneously. (Discharge operation continues in the state of STB=L and REGUVLO=L. Please refer to section 3.5.3)
- (\*6)...In this diagram, before the charge period is completed, STB is changed to High again. As STB=H again, the boost operation restarts the next PWM=H. It is the same operation as the timing of (\*2). (For capacitance setting of SS terminal, please refer to the section 3.2.1.

## 3.5.2 PWM Start Up 2 (Input STB Signal after Inputted PWM Signal)

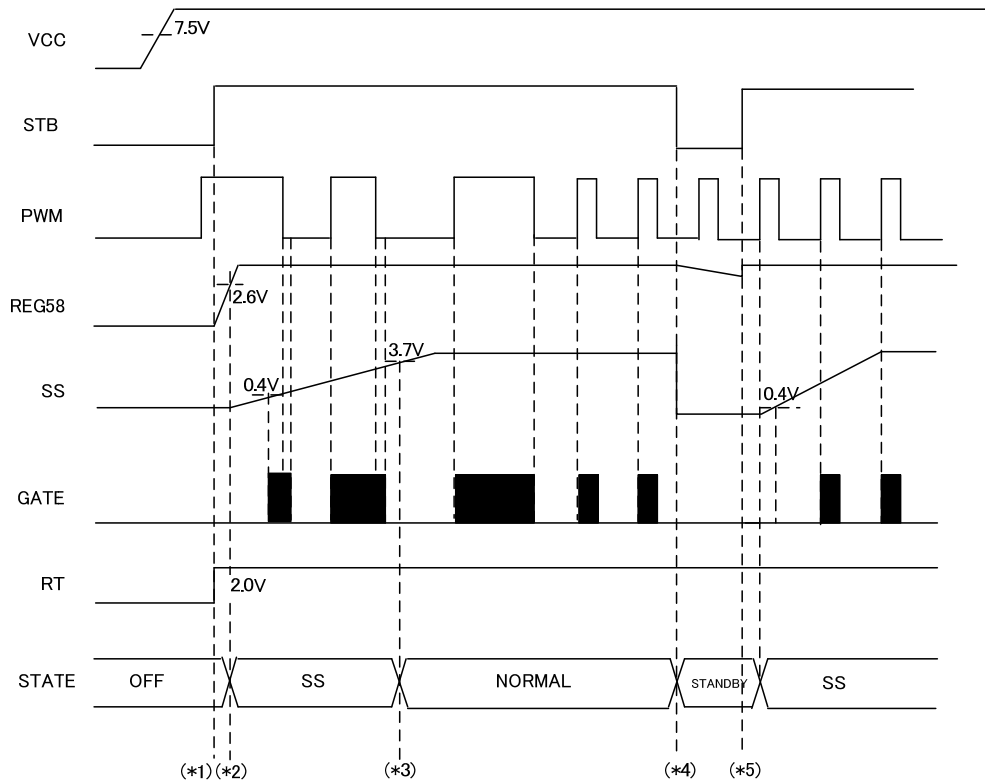


Figure 37. PWM Start Up 2 (Input STB Signal after Inputted PWM Signal)

- (\*1)...REG58 starts up when STB=H.
- (\*2)...When REG58UVLO releases or PWM is inputted to the edge of PWM=L→H, SS charge starts and soft start period is started. And while the SS is less than 0.4V, the pulse does not output. The pin SS continues charging in spite of the assertion of PWM or OVP level. Please refer the section "2.8 the Retaining Function of The Output Voltage" in detail.
- (\*3)...The soft start interval will end if the voltage of the pin SS,  $V_{SS}$  reaches 3.7V. By this time, it boosts  $V_{OUT}$  to the point where the set LED current flows. The abnormal detection of FBMAX starts to be monitored.
- (\*4)...As STB=L, the boost operation is stopped instantaneously (GATE=L, SS=L). (Discharge operation works in the state of STB=L and REG58UVLO=H. Please refer to the section 3.5.3)
- (\*5)...In this diagram, before the discharge period is completed, STB is changed to High again. As STB=H again, operation will be the same as the timing of (\*1).

## 3.5.3 Turn Off

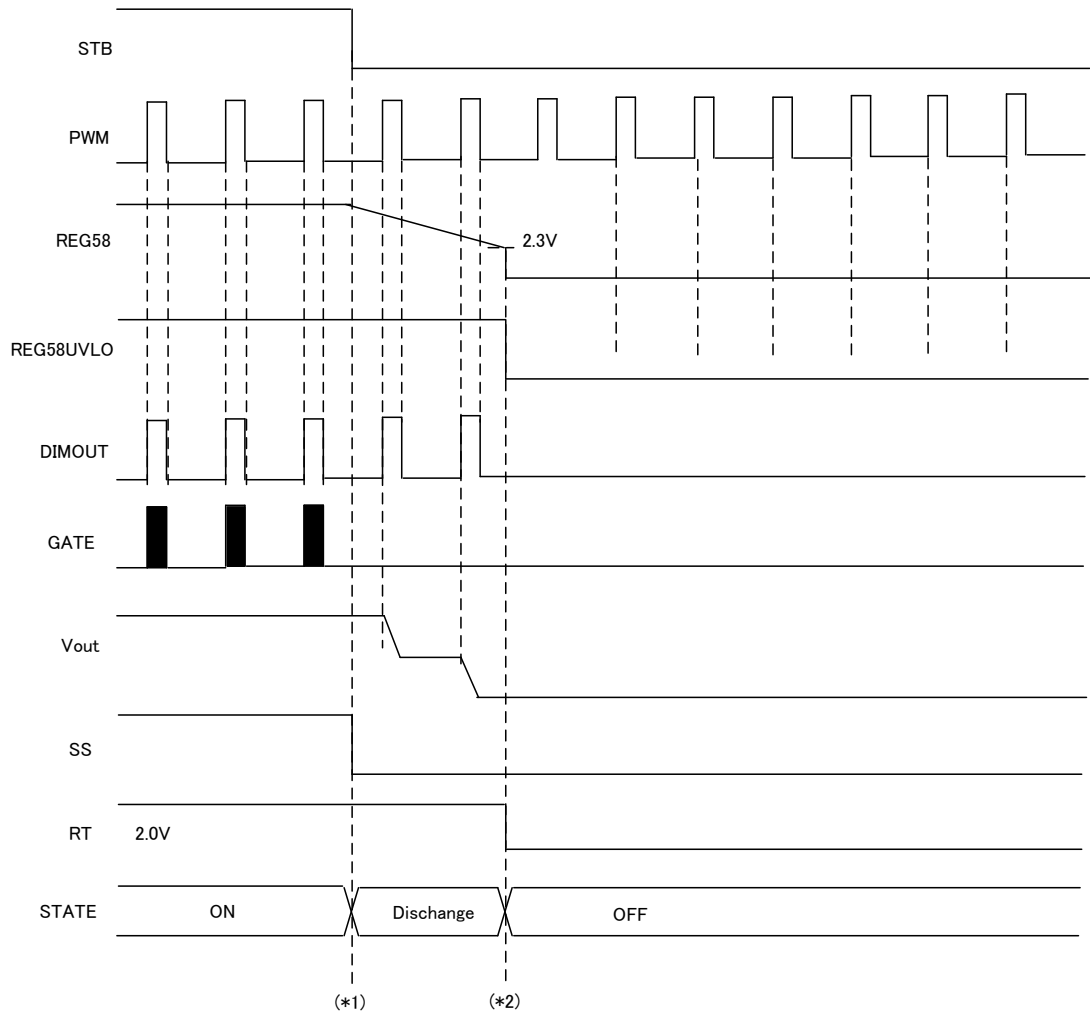


Figure 38. Turn Off

(\*1)...As STB=H→L, boost operation stops and REG58 starts to discharge.

(\*2)...While STB=L, REG58UVLO=H, DIMOUT becomes same as PWM. REG58=5.8V is discharged by -5µA until REG58=2.3V, and then IC becomes OFF state. REG58 is discharged rapidly and RT becomes 0V at the same time. V<sub>OUT</sub> is discharged completely until this time. It should be set to avoid a sudden brightness.

About capacitance value setting of REG58, please refer to the section 3.2.2.

## 3.5.4 Soft Start Function

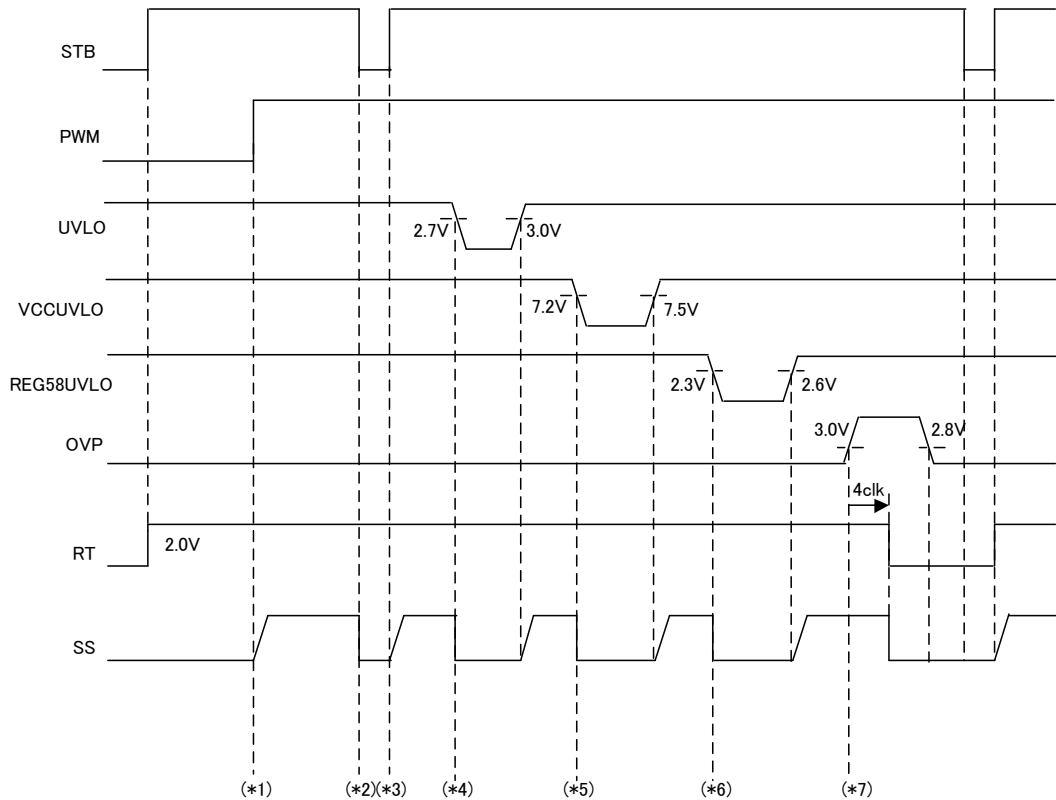


Figure 39. Soft Start Function

- (\*1)...The SS pin charge does not start by just STB=H. PWM=H is required to start the soft start. In the low SS voltage, the GATE pin duty depends on the SS voltage. And while the SS is less than 0.4V, the pulse does not output.
- (\*2)...By the time STB=L, the SS pin is discharged immediately. As REG58UVLO=H, RT is still High.
- (\*3)...As the STB recovered to STB=H, The SS charge starts immediately by the logic PWM=H in this chart.
- (\*4)...The SS pin is discharged immediately by the UVLO=L.
- (\*5)...The SS pin is discharged immediately by the VCCUVLO=L.
- (\*6)...The SS pin is discharged immediately by the REG58UVLO=L.
- (\*7)...The SS pin is not discharged by the abnormal detection of the latch off type such as OVP until the latch off.

## 3.5.5 OVP Detection

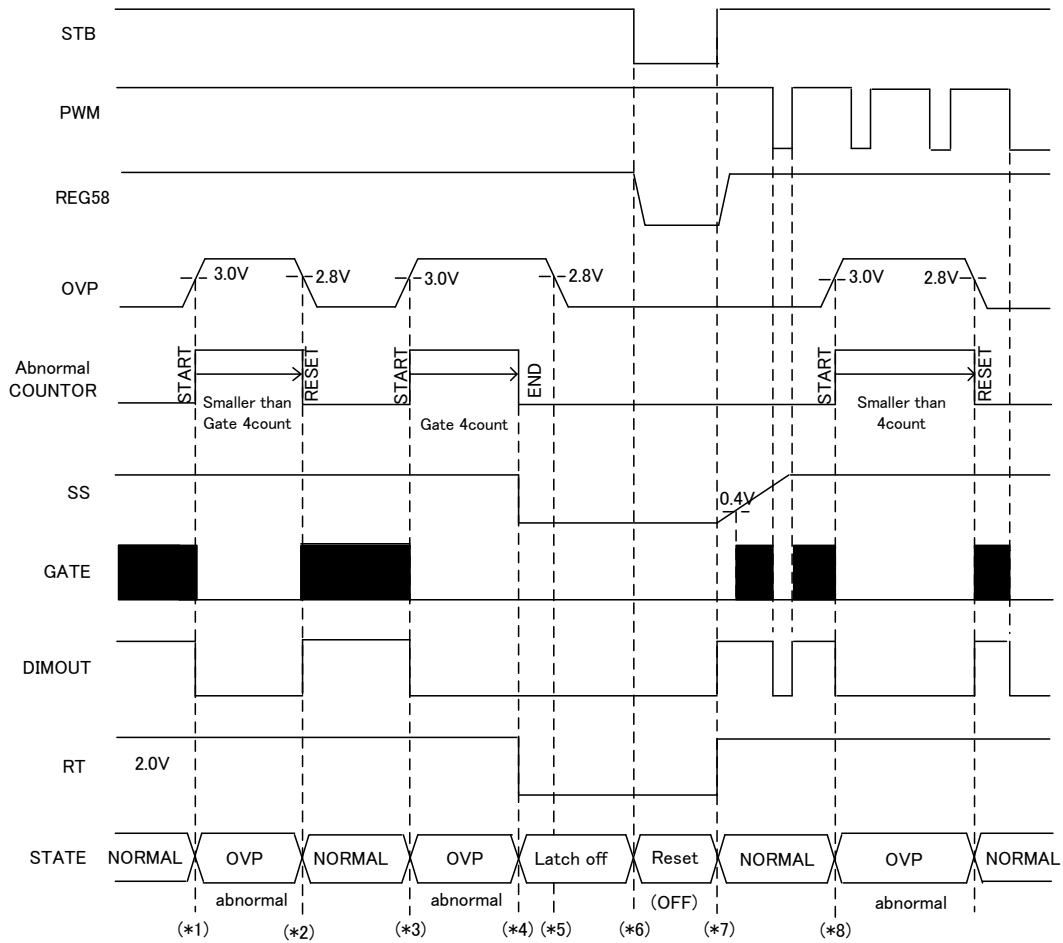


Figure 40. OVP Detection

- (\*1)...As OVP is detected, the output GATE=L, DIMOUT=L, and the abnormal counter starts.
- (\*2)...If OVP is released within 4 clocks of abnormal counter of the GATE pin frequency, the boost operation restarts.
- (\*3)...As the OVP is detected again, the boost operation is stopped.
- (\*4)...As the OVP detection continues up to 4 count by the abnormal counter, IC will be latched off.
- (\*5)... Once IC is latched off, the boost operation doesn't restart even if OVP is released.
- (\*6)...The STB=L input can make IC reset.
- (\*7)...It normally starts as STB turns Low to High.
- (\*8)...The operation of the OVP detection is not related to the logic of PWM.

## 3.5.6 FBMAX Detection

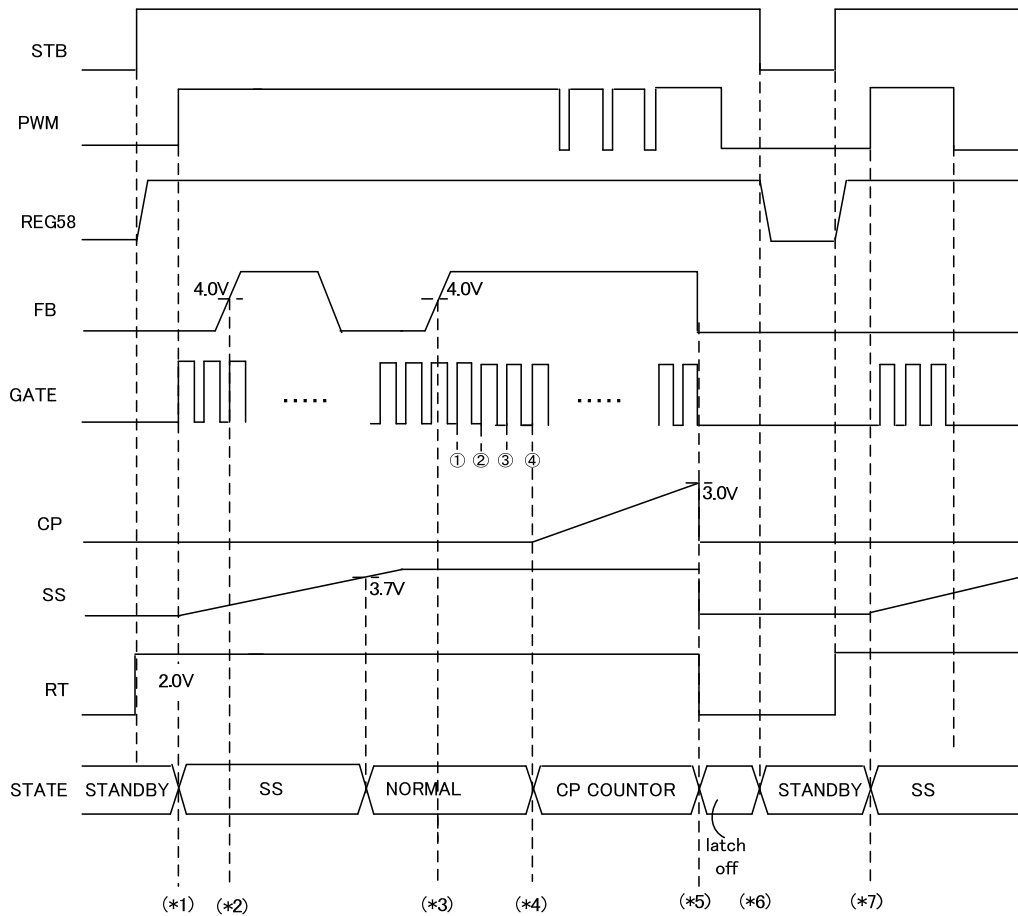


Figure 41. FBMAX Detection

(\*2)···During the soft start, it is not judged to the abnormal state even if the  $FB=H$  ( $FB>4.0V$ ).

(\*3)···When the  $PWM=H$  and  $FB=H$ , the abnormal counter doesn't start immediately.

(\*4)···The CP charge will start if the  $PWM=H$  and the  $FB=H$  detection continues up to 4 clocks of the GATE frequency. Once the count starts, only FB level is monitored.

(\*5)···When the FBMAX detection continues till the CP charge reaches 3.0V, IC will be latched off. The latch off interval can be calculated by the external capacitance of CP pin. (Please refer to the section 3.2.8.)

(\*6)···The latch off state can be reset by the  $STB=L$ .

(\*7)···It is normally started by  $PWM=L$  to  $H$ , in this figure.

## 3.5.7 LED OCP Detection

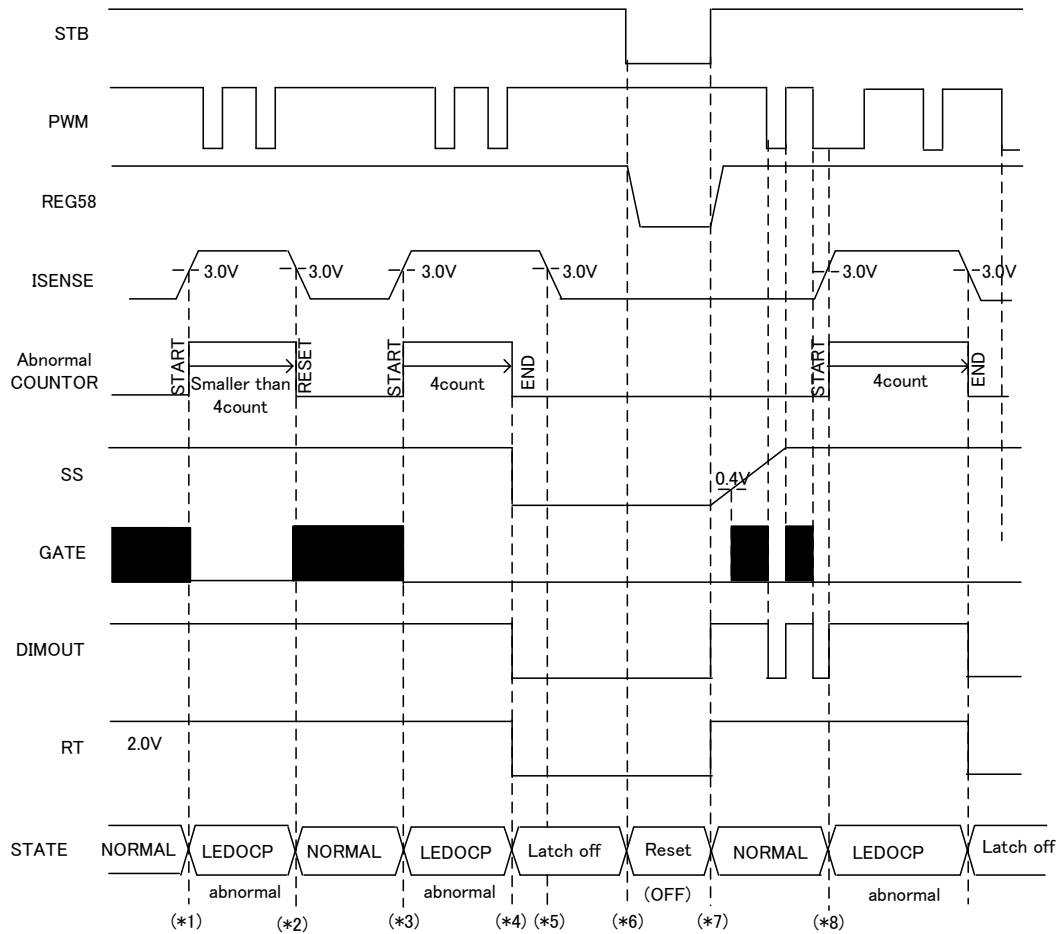


Figure 42. LED OCP Detection

- (\*1)...If  $I_{SENSE} > 3.0V$ , LEDOCP is detected, and GATE becomes L. To detect LEDOCP continuously, The DIMOUT is compulsorily high, regardless of the PWM dimming signal.
- (\*2)...When the LEDOCP releases within 4 counts of the GATE frequency, the boost operation restarts.
- (\*3)...As the LEDOCP is detected again, the boost operation is stopped.
- (\*4)...If the LEDOCP detection continues up to 4 counts of GATE frequency, IC will be latched off.
- (\*5)...Once IC is latched off, the boost operation doesn't restart even if the LEDOCP releases.
- (\*6)...The latch off state can be reset by the  $STB=L$ .
- (\*7)...It normally starts by  $STB=L$  to H.
- (\*8)...The operation of the LEDOCP detection is not related to the logic of the PWM.

## Operational Notes

### 1. Reverse Connection of Power Supply

Connecting the power supply in reverse polarity can damage the IC. Take precautions against reverse polarity when connecting the power supply, such as mounting an external diode between the power supply and the IC's power supply terminals.

### 2. Power Supply Lines

Design the PCB layout pattern to provide low impedance supply lines. Separate the ground and supply lines of the digital and analog blocks to prevent noise in the ground and supply lines of the digital block from affecting the analog block. Furthermore, connect a capacitor to ground at all power supply pins. Consider the effect of temperature and aging on the capacitance value when using electrolytic capacitors.

### 3. Ground Voltage

Ensure that no pins are at a voltage below that of the ground pin at any time, even during transient condition.

### 4. Ground Wiring Pattern

When using both small-signal and large-current ground traces, the two ground traces should be routed separately but connected to a single ground at the reference point of the application board to avoid fluctuations in the small-signal ground caused by large currents. Also ensure that the ground traces of external components do not cause variations on the ground voltage. The ground lines must be as short and thick as possible to reduce line impedance.

### 5. Thermal Consideration

Should by any chance the power dissipation rating be exceeded the rise in temperature of the chip may result in deterioration of the properties of the chip. The absolute maximum rating of the Pd stated in this specification is when the IC is mounted on a 70mm x 70mm x 1.6mm glass epoxy board. In case of exceeding this absolute maximum rating, increase the board size and copper area to prevent exceeding the Pd rating.

### 6. Recommended Operating Conditions

These conditions represent a range within which the expected characteristics of the IC can be approximately obtained. The electrical characteristics are guaranteed under the conditions of each parameter.

### 7. Rush Current

When power is first supplied to the IC, it is possible that the internal logic may be unstable and inrush current may flow instantaneously due to the internal powering sequence and delays, especially if the IC has more than one power supply. Therefore, give special consideration to power coupling capacitance, power wiring, width of ground wiring, and routing of connections.

### 8. Testing on Application Boards

When testing the IC on an application board, connecting a capacitor directly to a low-impedance output pin may subject the IC to stress. Always discharge capacitors completely after each process or step. The IC's power supply should always be turned off completely before connecting or removing it from the test setup during the inspection process. To prevent damage from static discharge, ground the IC during assembly and use similar precautions during transport and storage.

### 9. Inter-pin Short and Mounting Errors

Ensure that the direction and position are correct when mounting the IC on the PCB. Incorrect mounting may result in damaging the IC. Avoid nearby pins being shorted to each other especially to ground, power supply and output pin. Inter-pin shorts could be due to many reasons such as metal particles, water droplets (in very humid environment) and unintentional solder bridge deposited in between pins during assembly to name a few.



## Operational Notes – continued

**10. Unused Input Terminals**

Input terminals of an IC are often connected to the gate of a MOS transistor. The gate has extremely high impedance and extremely low capacitance. If left unconnected, the electric field from the outside can easily charge it. The small charge acquired in this way is enough to produce a significant effect on the conduction through the transistor and cause unexpected operation of the IC. So unless otherwise specified, unused input terminals should be connected to the power supply or ground line.

**11. Regarding the Input Pin of the IC**

This monolithic IC contains P+ isolation and P substrate layers between adjacent elements in order to keep them isolated. P-N junctions are formed at the intersection of the P layers with the N layers of other elements, creating a parasitic diode or transistor. For example (refer to figure below):

When  $GND > Pin A$  and  $GND > Pin B$ , the P-N junction operates as a parasitic diode.

When  $GND > Pin B$ , the P-N junction operates as a parasitic transistor.

Parasitic diodes inevitably occur in the structure of the IC. The operation of parasitic diodes can result in mutual interference among circuits, operational faults, or physical damage. Therefore, conditions that cause these diodes to operate, such as applying a voltage lower than the GND voltage to an input pin (and thus to the P substrate) should be avoided.

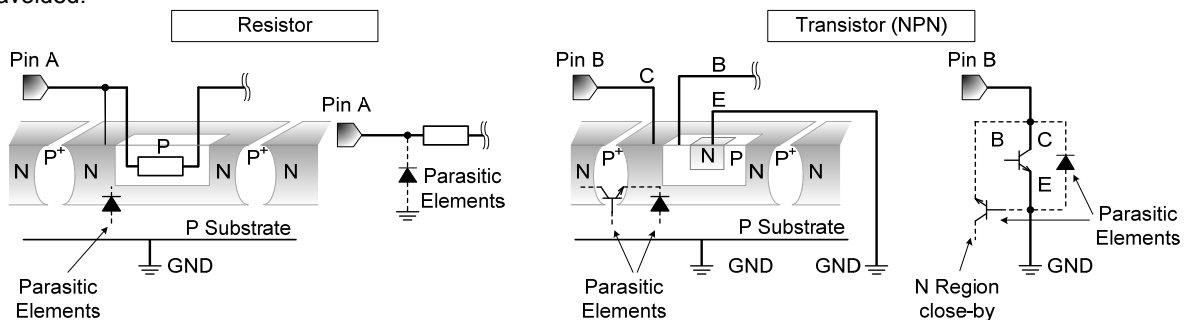


Figure 43. Example of monolithic IC structure

**12. Ceramic Capacitor**

When using a ceramic capacitor, determine the dielectric constant considering the change of capacitance with temperature and the decrease in nominal capacitance due to DC bias and others.

**13. Area of Safe Operation (ASO)**

Operate the IC such that the output voltage, output current, and power dissipation are all within the Area of Safe Operation (ASO).

**14. Thermal Shutdown Circuit(TSD)**

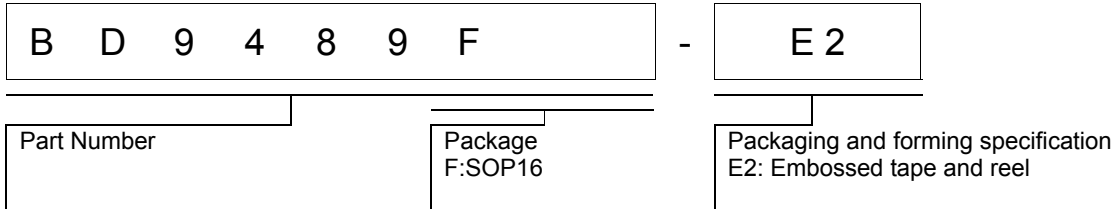
This IC has a built-in thermal shutdown circuit that prevents heat damage to the IC. Normal operation should always be within the IC's power dissipation rating. If however the rating is exceeded for a continued period, the junction temperature ( $T_j$ ) will rise which will activate the TSD circuit that will turn OFF all output pins. When the  $T_j$  falls below the TSD threshold, the circuits are automatically restored to normal operation.

Note that the TSD circuit operates in a situation that exceeds the absolute maximum ratings and therefore, under no circumstances, should the TSD circuit be used in a set design or for any purpose other than protecting the IC from heat damage.

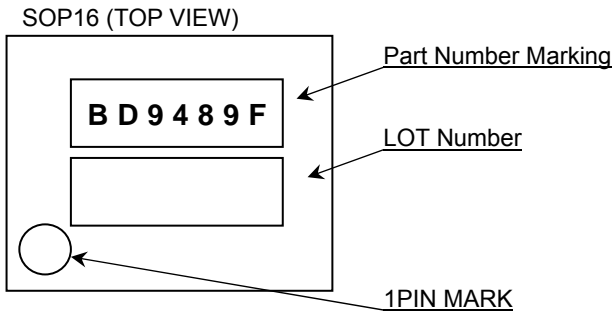
**15. Over Current Protection Circuit (OCP)**

This IC incorporates an integrated overcurrent protection circuit that is activated when the load is shorted. This protection circuit is effective in preventing damage due to sudden and unexpected incidents. However, the IC should not be used in applications characterized by continuous operation or transitioning of the protection circuit.

Ordering Information

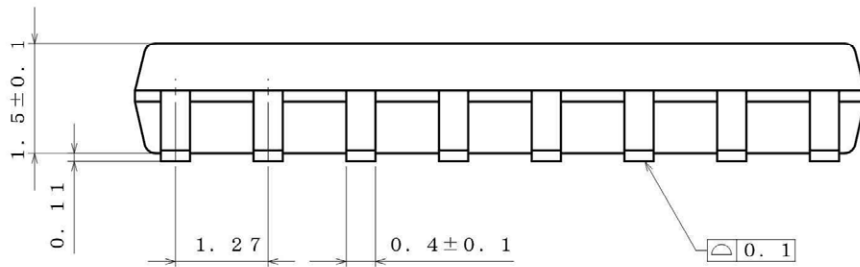
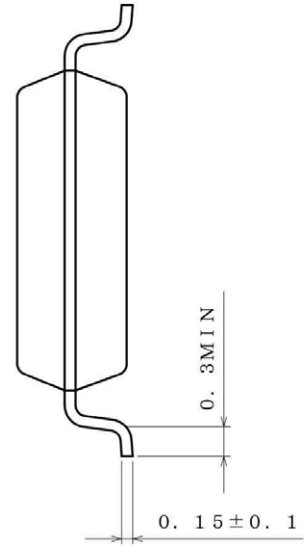
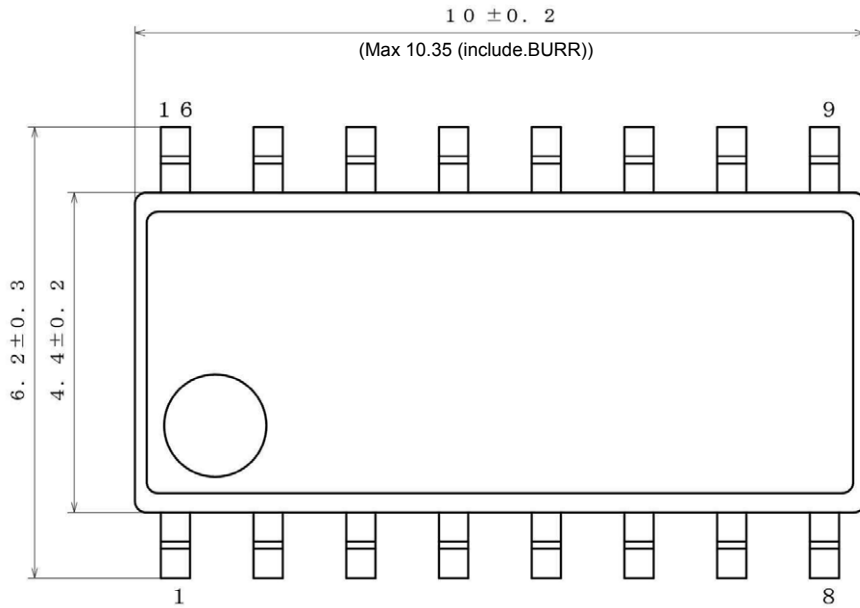


Marking Diagrams

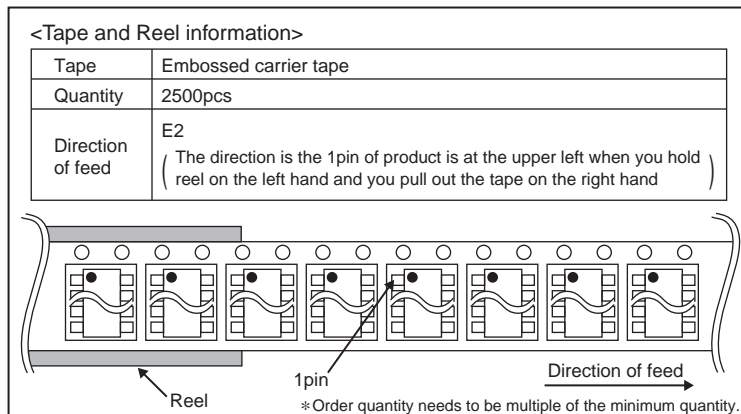


Physical Dimension, Tape and Reel Information

|              |       |
|--------------|-------|
| Package Name | SOP16 |
|--------------|-------|



(UNIT : mm)  
PKG : SOP16  
Drawing No. : EX114-5001



## Revision History

| Date        | Revision | Changes  |
|-------------|----------|--|
| 19 May 2014 | 001      | New Release  |
| 29 Oct 2014 | 002      | P11:Change REG58 available current 15mA.   |
| 15.Feb.2016 | 003      | p.2 add 1.6 External Components Recommended Range<br>Pin Configuration 1.6→1.7<br>Physical Dimension and Marking Diagram 1.7→1.8<br>p.3 Electrical Characteristics 1.8→1.9<br>p.4 Electrical Characteristics 1.8→1.9<br>p.17 add REG58 capacitance setting |

# Notice

## Precaution on using ROHM Products

- Our Products are designed and manufactured for application in ordinary electronic equipments (such as AV equipment, OA equipment, telecommunication equipment, home electronic appliances, amusement equipment, etc.). If you intend to use our Products in devices requiring extremely high reliability (such as medical equipment <sup>(Note 1)</sup>, transport equipment, traffic equipment, aircraft/spacecraft, nuclear power controllers, fuel controllers, car equipment including car accessories, safety devices, etc.) and whose malfunction or failure may cause loss of human life, bodily injury or serious damage to property ("Specific Applications"), please consult with the ROHM sales representative in advance. Unless otherwise agreed in writing by ROHM in advance, ROHM shall not be in any way responsible or liable for any damages, expenses or losses incurred by you or third parties arising from the use of any ROHM's Products for Specific Applications.

(Note1) Medical Equipment Classification of the Specific Applications

| JAPAN     | USA       | EU         | CHINA     |
|-----------|-----------|------------|-----------|
| CLASS III | CLASS III | CLASS II b | CLASS III |
| CLASS IV  |           | CLASS III  |           |

- ROHM designs and manufactures its Products subject to strict quality control system. However, semiconductor products can fail or malfunction at a certain rate. Please be sure to implement, at your own responsibilities, adequate safety measures including but not limited to fail-safe design against the physical injury, damage to any property, which a failure or malfunction of our Products may cause. The following are examples of safety measures:
  - Installation of protection circuits or other protective devices to improve system safety
  - Installation of redundant circuits to reduce the impact of single or multiple circuit failure
- Our Products are designed and manufactured for use under standard conditions and not under any special or extraordinary environments or conditions, as exemplified below. Accordingly, ROHM shall not be in any way responsible or liable for any damages, expenses or losses arising from the use of any ROHM's Products under any special or extraordinary environments or conditions. If you intend to use our Products under any special or extraordinary environments or conditions (as exemplified below), your independent verification and confirmation of product performance, reliability, etc. prior to use, must be necessary:
  - Use of our Products in any types of liquid, including water, oils, chemicals, and organic solvents
  - Use of our Products outdoors or in places where the Products are exposed to direct sunlight or dust
  - Use of our Products in places where the Products are exposed to sea wind or corrosive gases, including Cl<sub>2</sub>, H<sub>2</sub>S, NH<sub>3</sub>, SO<sub>2</sub>, and NO<sub>2</sub>
  - Use of our Products in places where the Products are exposed to static electricity or electromagnetic waves
  - Use of our Products in proximity to heat-producing components, plastic cords, or other flammable items
  - Sealing or coating our Products with resin or other coating materials
  - Use of our Products without cleaning residue of flux (even if you use no-clean type fluxes, cleaning residue of flux is recommended); or Washing our Products by using water or water-soluble cleaning agents for cleaning residue after soldering
  - Use of the Products in places subject to dew condensation
- The Products are not subject to radiation-proof design.
- Please verify and confirm characteristics of the final or mounted products in using the Products.
- In particular, if a transient load (a large amount of load applied in a short period of time, such as pulse. is applied, confirmation of performance characteristics after on-board mounting is strongly recommended. Avoid applying power exceeding normal rated power; exceeding the power rating under steady-state loading condition may negatively affect product performance and reliability.
- De-rate Power Dissipation depending on ambient temperature. When used in sealed area, confirm that it is the use in the range that does not exceed the maximum junction temperature.
- Confirm that operation temperature is within the specified range described in the product specification.
- ROHM shall not be in any way responsible or liable for failure induced under deviant condition from what is defined in this document.

## Precaution for Mounting / Circuit board design

- When a highly active halogenous (chlorine, bromine, etc.) flux is used, the residue of flux may negatively affect product performance and reliability.
- In principle, the reflow soldering method must be used on a surface-mount products, the flow soldering method must be used on a through hole mount products. If the flow soldering method is preferred on a surface-mount products, please consult with the ROHM representative in advance.

For details, please refer to ROHM Mounting specification

### Precautions Regarding Application Examples and External Circuits

1. If change is made to the constant of an external circuit, please allow a sufficient margin considering variations of the characteristics of the Products and external components, including transient characteristics, as well as static characteristics.
2. You agree that application notes, reference designs, and associated data and information contained in this document are presented only as guidance for Products use. Therefore, in case you use such information, you are solely responsible for it and you must exercise your own independent verification and judgment in the use of such information contained in this document. ROHM shall not be in any way responsible or liable for any damages, expenses or losses incurred by you or third parties arising from the use of such information.

### Precaution for Electrostatic

This Product is electrostatic sensitive product, which may be damaged due to electrostatic discharge. Please take proper caution in your manufacturing process and storage so that voltage exceeding the Products maximum rating will not be applied to Products. Please take special care under dry condition (e.g. Grounding of human body / equipment / solder iron, isolation from charged objects, setting of Ionizer, friction prevention and temperature / humidity control).

### Precaution for Storage / Transportation

1. Product performance and soldered connections may deteriorate if the Products are stored in the places where:
  - [a] the Products are exposed to sea winds or corrosive gases, including Cl<sub>2</sub>, H<sub>2</sub>S, NH<sub>3</sub>, SO<sub>2</sub>, and NO<sub>2</sub>
  - [b] the temperature or humidity exceeds those recommended by ROHM
  - [c] the Products are exposed to direct sunshine or condensation
  - [d] the Products are exposed to high Electrostatic
2. Even under ROHM recommended storage condition, solderability of products out of recommended storage time period may be degraded. It is strongly recommended to confirm solderability before using Products of which storage time is exceeding the recommended storage time period.
3. Store / transport cartons in the correct direction, which is indicated on a carton with a symbol. Otherwise bent leads may occur due to excessive stress applied when dropping of a carton.
4. Use Products within the specified time after opening a humidity barrier bag. Baking is required before using Products of which storage time is exceeding the recommended storage time period.

### Precaution for Product Label

A two-dimensional barcode printed on ROHM Products label is for ROHM's internal use only.

### Precaution for Disposition

When disposing Products please dispose them properly using an authorized industry waste company.

### Precaution for Foreign Exchange and Foreign Trade act

Since concerned goods might be fallen under listed items of export control prescribed by Foreign exchange and Foreign trade act, please consult with ROHM in case of export.

### Precaution Regarding Intellectual Property Rights

1. All information and data including but not limited to application example contained in this document is for reference only. ROHM does not warrant that foregoing information or data will not infringe any intellectual property rights or any other rights of any third party regarding such information or data.
2. ROHM shall not have any obligations where the claims, actions or demands arising from the combination of the Products with other articles such as components, circuits, systems or external equipment (including software).
3. No license, expressly or implied, is granted hereby under any intellectual property rights or other rights of ROHM or any third parties with respect to the Products or the information contained in this document. Provided, however, that ROHM will not assert its intellectual property rights or other rights against you or your customers to the extent necessary to manufacture or sell products containing the Products, subject to the terms and conditions herein.

### Other Precaution

1. This document may not be reprinted or reproduced, in whole or in part, without prior written consent of ROHM.
2. The Products may not be disassembled, converted, modified, reproduced or otherwise changed without prior written consent of ROHM.
3. In no event shall you use in any way whatsoever the Products and the related technical information contained in the Products or this document for any military purposes, including but not limited to, the development of mass-destruction weapons.
4. The proper names of companies or products described in this document are trademarks or registered trademarks of ROHM, its affiliated companies or third parties.

**General Precaution**

1. Before you use our Products, you are requested to carefully read this document and fully understand its contents. ROHM shall not be in any way responsible or liable for failure, malfunction or accident arising from the use of any ROHM's Products against warning, caution or note contained in this document.
2. All information contained in this document is current as of the issuing date and subject to change without any prior notice. Before purchasing or using ROHM's Products, please confirm the latest information with a ROHM sales representative.
3. The information contained in this document is provided on an "as is" basis and ROHM does not warrant that all information contained in this document is accurate and/or error-free. ROHM shall not be in any way responsible or liable for any damages, expenses or losses incurred by you or third parties resulting from inaccuracy or errors of or concerning such information.

# Mouser Electronics

Authorized Distributor

Click to View Pricing, Inventory, Delivery & Lifecycle Information:

[ROHM Semiconductor:](#)

[BD9489F-GE2](#)