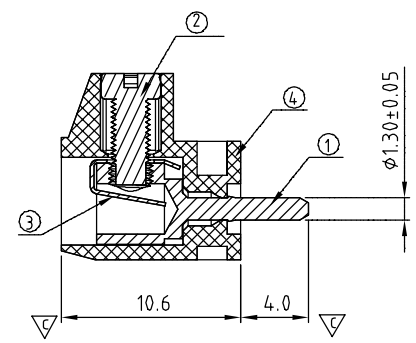
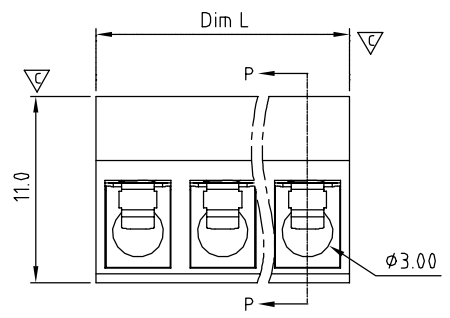
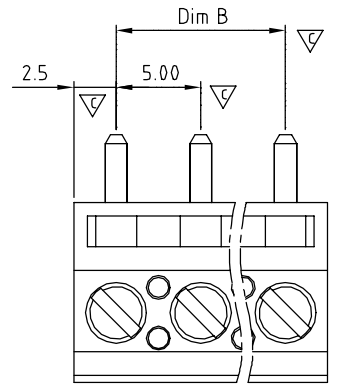


SIGN	DATE	DESCRIPTION	APPROVER
△	03/09`13	update the drawing	Guoxue
THIS IS CAD DRAWING, DO NOT REVISE MANUALLY!!!			



Material

- Item①Terminal: Brass(CuZn), Tin plated.
- Item②Terminal screw: Steel,“-” slot type Zinc plated.
- Item③ Wire guard :stainless steel
- Item④ Terminal(housing): Thermoplastic (UL94V-0)

Electrical

- Voltage rating: 300V
- Current rating: 15A
- Solid wire(AWG): 14-22
- Stranded wire(AWG): 14-22
- Torque: 3.5Lb-In
- Screw: M2.6
- Wire strip length: 5-6mm
- Withstanding Voltage: 1.6KV
- Operating temperature: -40°C to +115°C
- Soldering temperature: 260°C±5°C/5 Sec

- △ Safety Approval: us
- Critical dimension: ▽

E7 xx 01x 0 xxxx G

- | | | |
|-------------|---------------------|---|
| Solid Block | | G RoHS compliant (lead<4%)
In copper Alloy |
| 02 2 Poles | | |
| 03 3 Poles | | |
| | | |
| 20 20 Poles | | |
| | Color | 0000: "@ " Logo |
| | 0 Black (RAL9005) | 000A: "ANYTEK" Mark |
| | 2 Red (RAL3001/D) | Any special item by customer request. |
| | 3 Orange(RAL2011/P) | please contact sales department. |
| | 4 Yellow(RAL1018/A) | |
| | 5 Green(RAL6018/T) | |
| | 6 Blue (RAL5015/A) | |
| | 8 Grey(RAL7035/D) | |
| | 9 White(RAL1102) | |
| | C Green(RAL6018/U) | |

N=Number of poles

DIM		TOL		
		2P-6P	7P-13P	14P-20P
Dim L	NX5.0	±0.15	±0.25	±0.35
Dim B	(N-1)X5.0	±0.10	±0.20	±0.30

ANYTEK				CUSTOMER COPY			
ALL RIGHTS RESERVED. REPRODUCTION OR ISSUE TO THIRD PARTIES IN ANY FORM WHATSOEVER IS NOT PERMITTED WITHOUT WRITTEN AUTHORITY FROM THE PROPRIETOR. PROPERTY OF ANYTEK TECHNOLOGY CO., LTD							
TITLE	E7-5.0mm series			DWG NO.	8E70001		
PART NO.	E7xx01x0xxxxG			DWG NO.	8E70001		
APPROVED	CHECKED	DESIGNED	DRAWN	CUST NO.	Tolerance		
		Guoxue 2013.03.09	Guoxue 2013.03.09		X. ±0.50		
					X.X ±0.30		
					X.XX ±0.10		
					X° ±1°		
				SHEET: 01/01	REV.: C		

Mouser Electronics

Authorized Distributor

Click to View Pricing, Inventory, Delivery & Lifecycle Information:

[Amphenol:](#)

[E70201500000G](#) [E70301500000G](#) [E70401500000G](#) [E70501500000G](#) [E70601500000G](#) [E70701500000G](#)
[E70801500000G](#) [E70901500000G](#) [E71001500000G](#) [E71101500000G](#) [E71201500000G](#) [E71301500000G](#)
[E71401500000G](#) [E71501500000G](#) [E71601500000G](#) [E71701500000G](#) [E71801500000G](#) [E71901500000G](#)
[E72001500000G](#)