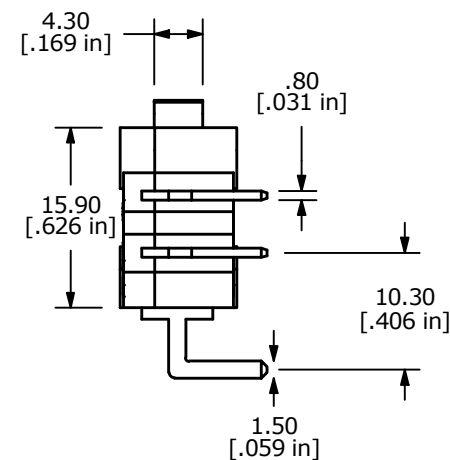
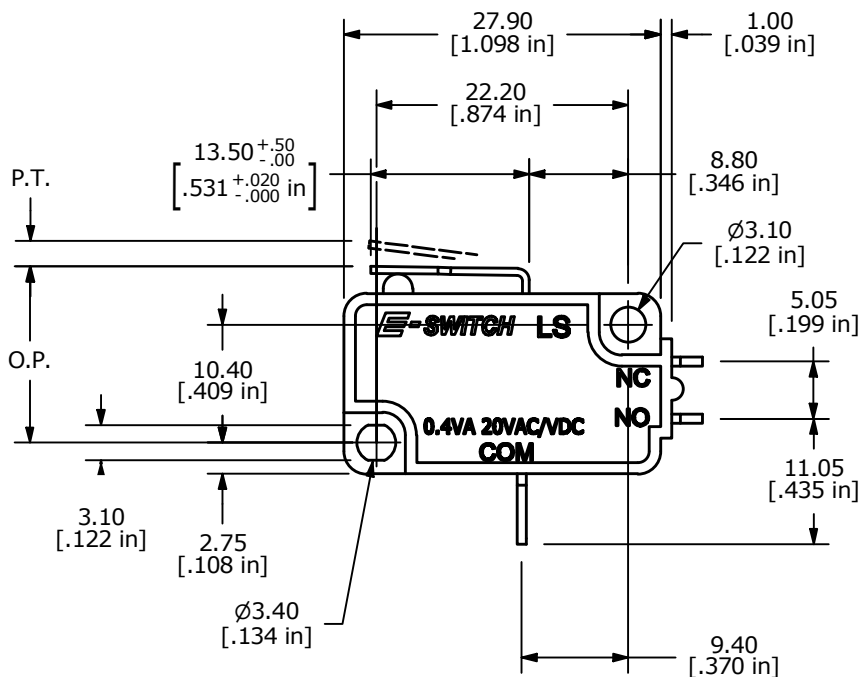
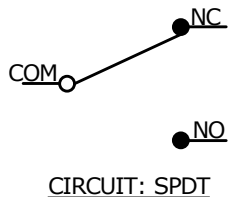


O.P. (MM)	P.T. (MM)
15.3±0.5	1.5 MAX.

O.P. = OPERATING POINT  
P.T. = PRE-TRAVEL



NOTES:

1. ALL DIMENSIONS IN MM [INCH]
2. GENERAL TOLERANCE: X.X±0.4  
X.XX±0.25
- ▲ 3. RATING: 0.4VA @20 VDC or VAC MAX.
- ▲ 4. OPERATING FORCE: 250 ± 60 GRAMS
5. OPERATING TEMP: -25°C TO 85°C
6. ELECTRICAL LIFE: 50,000 CYCLES MIN.
7. MECHANICAL LIFE: 1,000,000 CYCLES TYP.
8. INSULATION RESISTANCE: 100 MEGA-OHMS MIN @ 500VDC.
9. DIELECTRIC STRENGTH: 1500VAC 1 MINUTE (INITIAL VALUE)
10. CONTACT RESISTANCE: 100 MILLI -OHMS MAX.
11. ▲ DENOTES CRITICAL PARAMETER.

REV	ECO NO	DESCRIPTION	DATE	BY
B	ECO-100844	REMOVE VDE RATING AND LOGO	05/03/22	JS



OBJECT ID  
000021097

TITLE LS085R101F250V1A		SCALE 3:2	DATE 11/12/2014	DR RC	DWG Q950113	REV B
---------------------------	--	--------------	--------------------	----------	----------------	----------

# Mouser Electronics

Authorized Distributor

Click to View Pricing, Inventory, Delivery & Lifecycle Information:

[E-Switch:](#)

[LS085R101F250V1A](#)