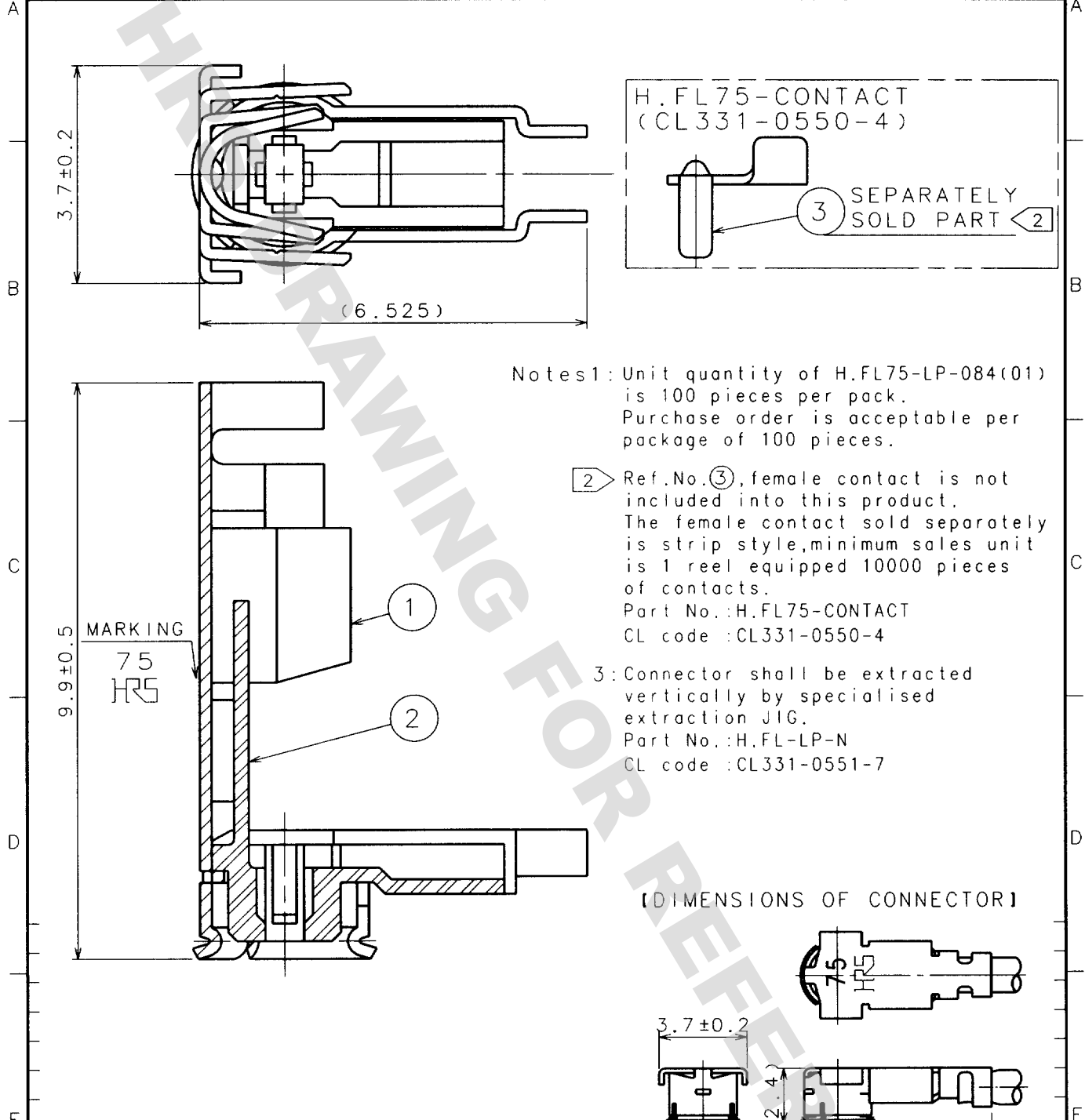


DRAWING FOR REFERENCE: This is subject to change without notice
08/11/2012

1				2				3				4			
COUNT	DESCRIPTION OF REVISIONS			BY	CHKD	DATE	COUNT	DESCRIPTION OF REVISIONS			BY	CHKD	DATE		
△							△								
△							△								
△							△								



NO.	MATERIAL	FINISH, REMARKS	NO.	MATERIAL	FINISH, REMARKS
3	PHOSPHOR BRONZE	GOLD PLATING			
2	PBT	(BLACK), UL94V-0			
1	PHOSPHOR BRONZE	SILVER PLATING			

CODE NO. (OLD) CL		DRAWN <i>R. Yamane</i> 98.7.22	DESIGNED <i>R. Yamane</i> 98.7.22	CHECKED <i>M. Yamane</i> 98.7.22	APPROVED <i>Kobayashi</i> 98.7.23	RELEASED
DRAWING NO. EDC4-133531-01		PART NO. H.FL75-LP-084(01)				
SCALE 10:1		CODE NO. CL331-0541-3-01				1/1
UNITS mm		HRS HIROSE ELECTRIC CO., LTD.				

TO
RF

Mouser Electronics

Authorized Distributor

Click to View Pricing, Inventory, Delivery & Lifecycle Information:

[Hirose Electric:](#)

[H.FL75-LP-084\(01\)](#)