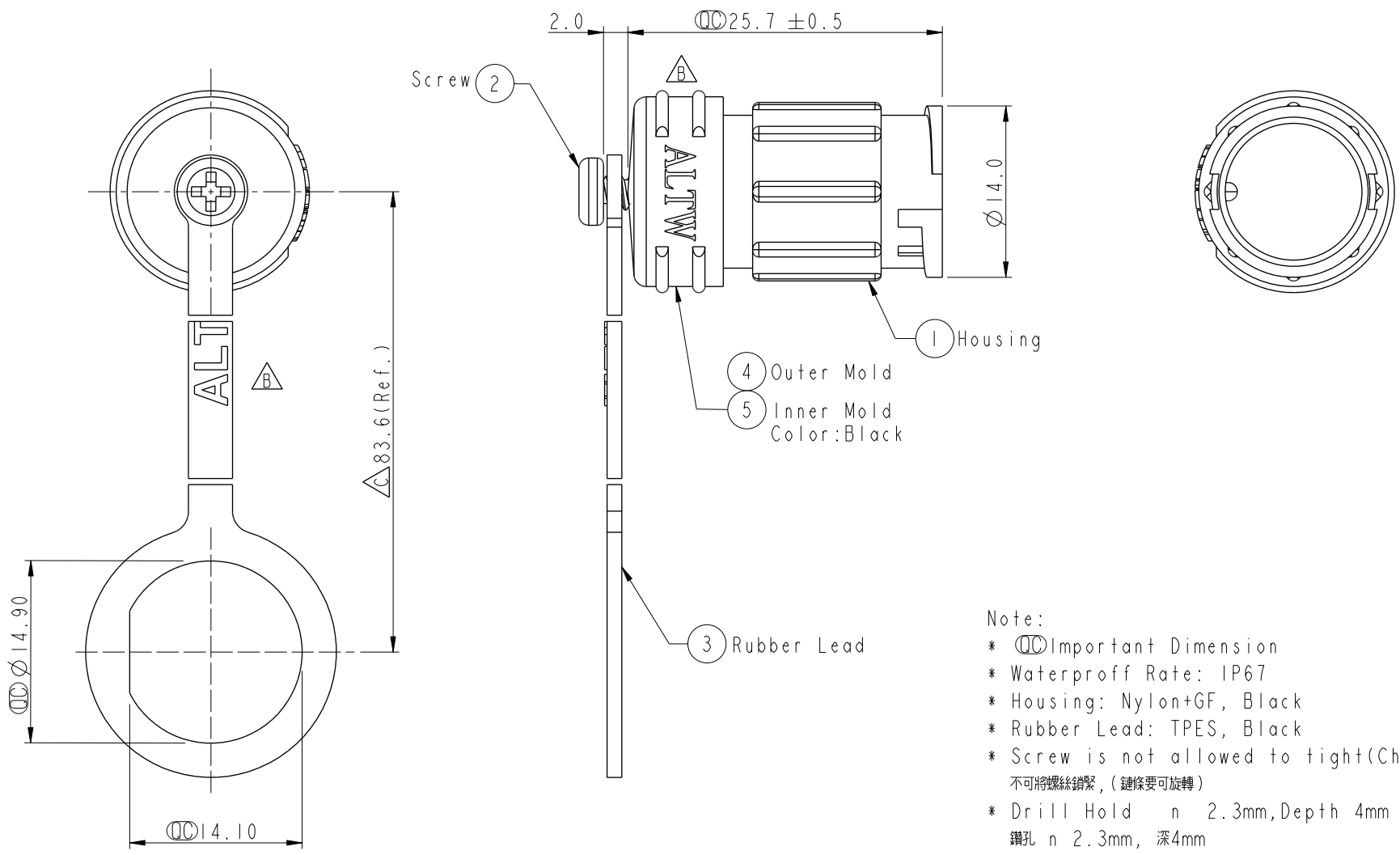


| REV. | ECN NO.         | DATE       | SIGN  | DESCRIPTION               |
|------|-----------------|------------|-------|---------------------------|
| A    | Initial Release | 2013/09/11 | Vicky | Old Item No. CAP-WABCFLC1 |
| B    | LEN1510313      | 2015/01/06 | Ruru  | Change Logo               |
| C    | C230202         | 2023/02/16 | Vicky | $\triangle C$ X2          |



Note:

- \*  $\varnothing$  Important Dimension
- \* Waterproff Rate: IP67
- \* Housing: Nylon+GF, Black
- \* Rubber Lead: TPES, Black
- \* Screw is not allowed to tight(Chain be revolve)  
不可將螺絲鎖緊, (鏈條要可旋轉)
- \* Drill Hold n 2.3mm, Depth 4mm  
鑽孔 n 2.3mm, 深4mm

|           |               |          |
|-----------|---------------|----------|
| UNIT: mm  | $\varnothing$ | $\nabla$ |
| TOLERANCE |               |          |
| .X        | $\pm 0.25$    |          |
| .XX       | $\pm 0.1$     |          |
| .XXX      | $\pm 0.05$    |          |
| ANGLES    | $\pm 1^\circ$ |          |

|   |                |                                 |  |
|---|----------------|---------------------------------|--|
| TITLE<br>ACC, CERES, WP CAP<br>2LOCK, W/RB LEAD |                | $\triangle C$                   |  |
| SCALE<br>2:1                                    | SIZE<br>A4     | SHEET<br>1 OF 1                 |  |
| REV.<br>C                                       | WC-REV.<br>A.1 | $\varnothing$ : Inspection item |  |

**Amphenol LTW**  
安費諾亮泰企業股份有限公司

|                          |                    |                    |
|--------------------------|--------------------|--------------------|
| ITEM NO.<br>CAP-WABFLPC1 | DRAWN BY<br>Ruru   | DATE<br>2015-01-06 |
| DWG NO.<br>CAP-WABFLPC1  | CHECKED BY<br>Rita | DATE<br>2015-01-06 |
| CUSTOMER<br>ALTW         | APPROVED BY<br>Win | DATE<br>2015-01-06 |

THIS DOCUMENT IS SUBJECT TO CHANGE WITHOUT NOTICE. IT IS CONFIDENTIAL AND A PROPERTY OF Amphenol LTW. DISCLOSURE TO THIRD PARTY HAS TO BE AUTHORIZED BY Amphenol LTW.