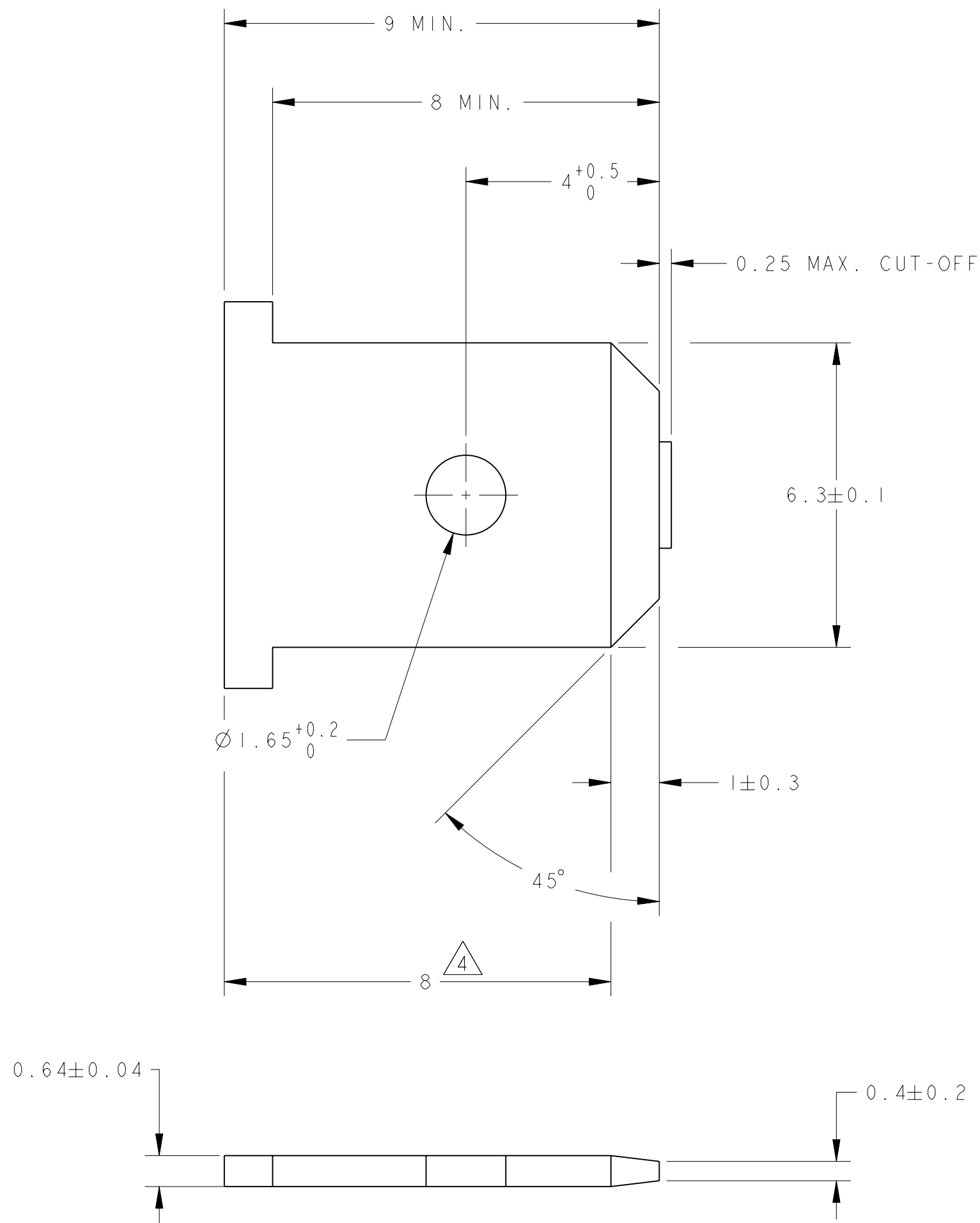


SUGGESTED MATING TAB

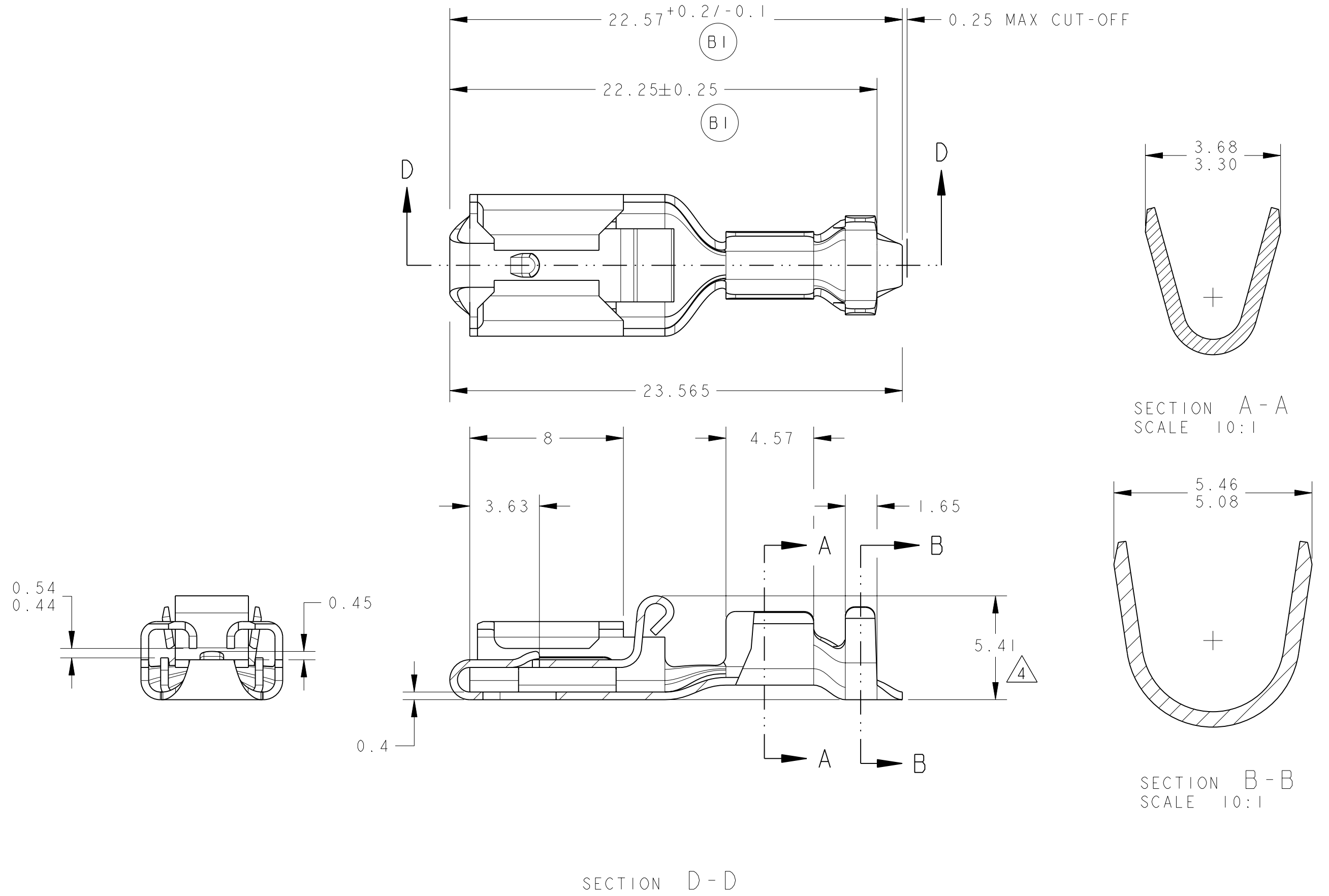


1. MATERIAL:- #2 HARD BRASS OR NICKEL PLATED STEEL.
 2. NO BURRS PERMISSIBLE AT HOLE.
 3. TIN PLATING IS REQUIRED ON BRASS WHEN TERMINAL TEMPERATURE IS OVER 85C.
- △ 4 MUST BE FLAT WITHIN 0.076 OVER THIS LENGTH.
5. HOLE MUST BE SYMMETRICAL ABOUT TAB WITHIN 0.076.

LOC	DIST	REVISIONS					
		P	LTR	DESCRIPTION	DATE	DWN	APVD
IR	-	B		EBA0-0049-04	25AUG2004	MJG	BB
		BI		NOMINAL DIM. CORRECTED AND TOLERANCE ADDED	09JAN2012	PKS	RRP

1. CONTINUOUS STRIP ON REELS.
2. WIRE SIZE IS 20-16 AWG.
3. INSULATION RANGE IS 2.29-3.30 DIA.

△ 4 DIM 5.41mm IN PARALLEL STATE, MAX 6.1mm IN FREE STATE



THIS DRAWING IS A CONTROLLED DOCUMENT.		DWN D.R. TERRY 06APR2001	1337968-1 PART NUMBER	
DIMENSIONS: mm		CHK E. SCOTT 09APR2001	STE TE Connectivity	
TOLERANCES UNLESS OTHERWISE SPECIFIED: LINEAR ±0.5 Ø-PLC ±0.1 1-PLC ±0.1 2-PLC ±0.05 3-PLC ± 4-PLC ± ANGLES ±0.5 FINISH		APVD M. WHELAN 09APR2001	NAME MKI POSITIVE LOCK RECEPTACLE 6.35 (.250) SERIES	
MATERIAL BRASS		PRODUCT SPEC 108-3444 APPLICATION SPEC 114-5029 WEIGHT -	SIZE A20779	DRAWING NO C-1337968
FINISH TIN		CUSTOMER DRAWING	SCALE 5:1	SHEET 1 OF 1 REV BI

Mouser Electronics

Authorized Distributor

Click to View Pricing, Inventory, Delivery & Lifecycle Information:

[TE Connectivity:](#)

[1337968-1](#)