

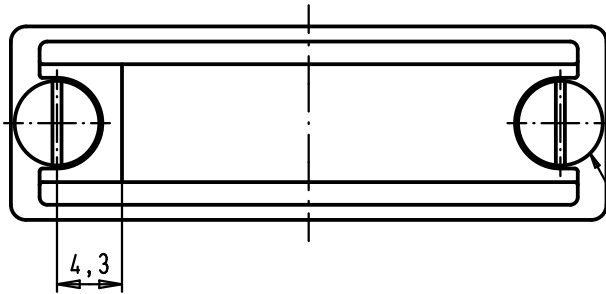
5

4

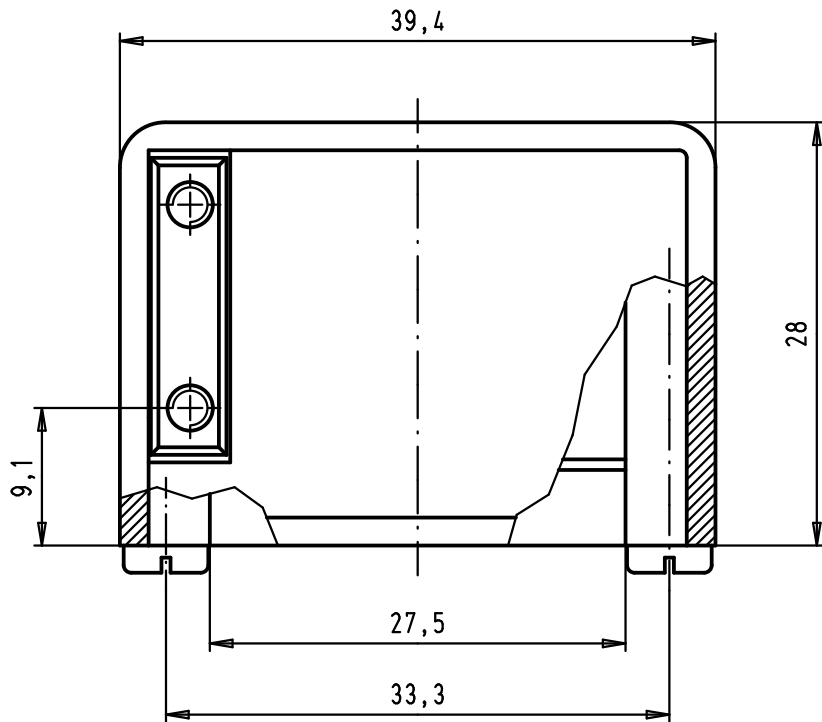
3

2

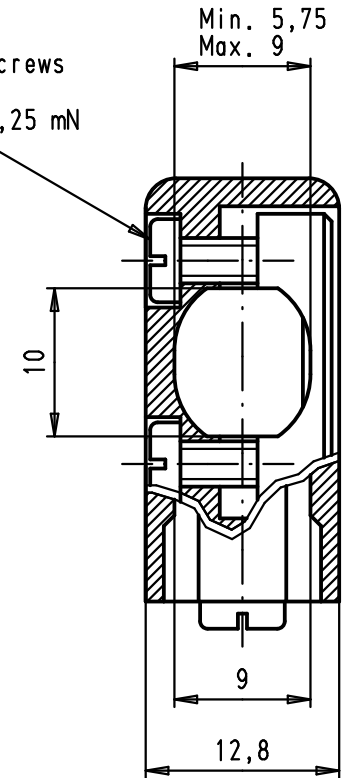
1



Slotted pan head tapping screws
DIN 7971-ST 2,9x6,5-F
screwing torque=35Ncm +/-5Ncm



Slotted pan head tapping screws
DIN 7971-ST 2,2 x 9,5-F
Maximum screwing torque= 0,25 mN



D

C

B

A

09 67 015 0513	Thermoplastic metallized
09 67 015 0511	Thermoplastic grey RAL 7032
Part number	Material

				Det.	Name	<p>All Dim. in mm Orig. Size DIN A 4</p>
			Detail.	28/03/02	CV	
			Insp.	25-MAY-11	JMDV	
EC03223	25-MAY-11	SD	Stand.			
34886	26/02/08	PK	HARTING EURL F-95972 Paris			
29760	28/03/02	CV				
Mod.	Det.	Name				

D-Sub, hood 15 poles for spring or slide locking, side cable entry	Maßstab/ Scale 2:1
TB 09 67 015 051X	Blatt/ Page 1 / 1
Sub.	

Mouser Electronics

Authorized Distributor

Click to View Pricing, Inventory, Delivery & Lifecycle Information:

[HARTING:](#)

[09670150511](#) [09670150513](#)