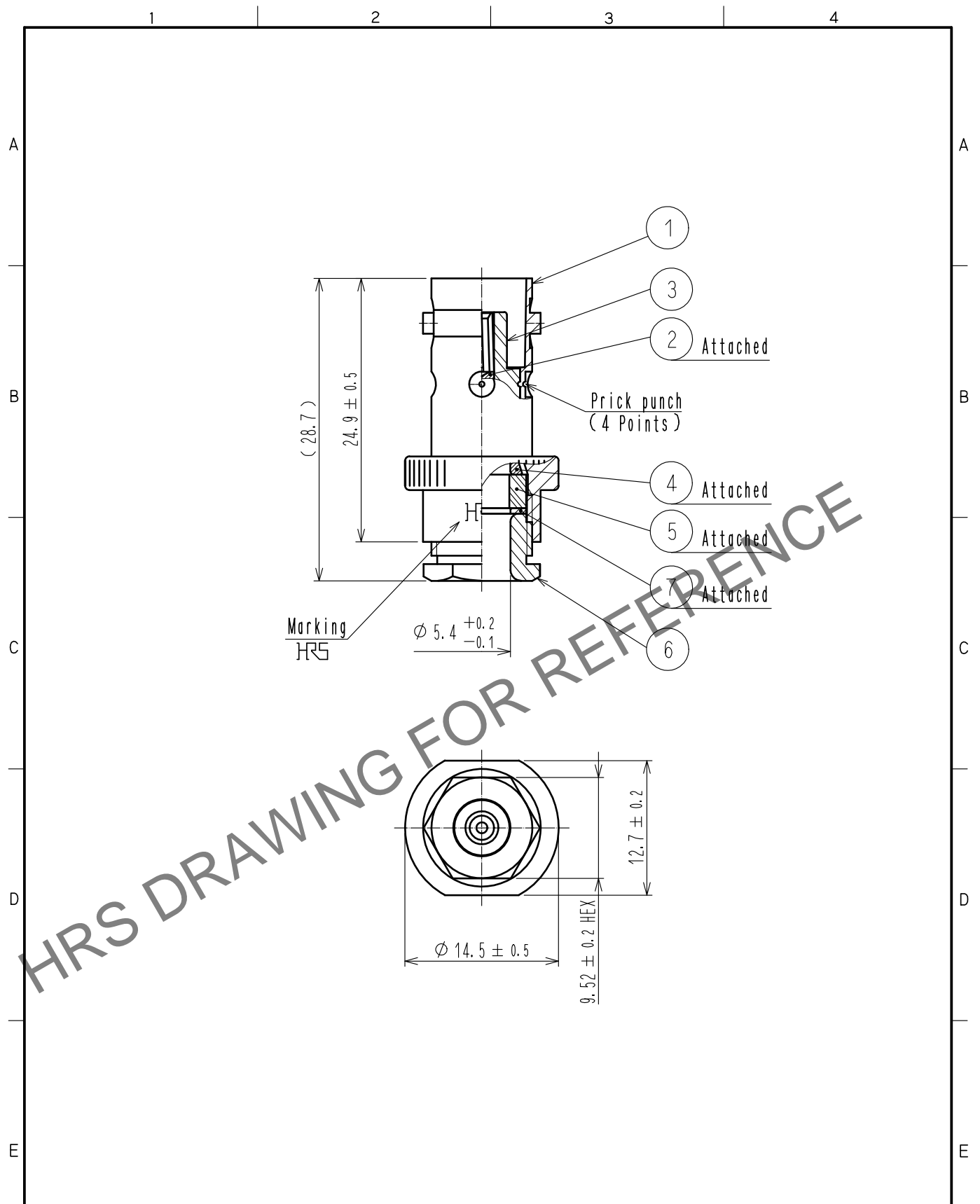


May.1.2024 Copyright 2024 HIROSE ELECTRIC CO., LTD. All Rights Reserved.  
 In case of consideration for using Automotive equipment / device which demand high reliability, kindly contact our sales window correspondents.



4	BRASS	NICKEL PLATING					
3	PTFE		7	BRASS	NICKEL PLATING		
2	BERYLLIUM COPPER	GOLD PLATING	6	BRASS	NICKEL PLATING		
1	BRASS	NICKEL PLATING	5	SILICONE RUBBER			
NO.	MATERIAL	FINISH .	REMARKS	NO.	MATERIAL	FINISH .	REMARKS

UNITS mm		SCALE 2 : 1	COUNT 	DESCRIPTION OF REVISIONS	DESIGNED	CHECKED	DATE	
HIROSE ELECTRIC CO., LTD.				APPROVED : NK. NINOMIYA 20211012 CHECKED : NK. NINOMIYA 20211012 DESIGNED : MT. KANEKO 20211012 DRAWN : NK. OOSHIMA 20211012	DRAWING NO. EDC-000866-41-00 PART NO. UG-89/U(41) CODE NO. CL0302-0034-0-41			1/1

# Mouser Electronics

Authorized Distributor

Click to View Pricing, Inventory, Delivery & Lifecycle Information:

[Hirose Electric:](#)

[UG-89/U\(41\)](#)