

6-CH 43V WLED Driver

General Description

The RT8568A is a high efficiency driver for white LEDs. It is designed for LCD panels that employ an array of LEDs as the lighting source. An integrated current mode boost controller drives six strings in parallel and supports up to 12 WLEDs per string. The internal current sinks support a maximum of $\pm 2\%$ current mismatching for excellent brightness uniformity in each string of LEDs. To provide enough headroom for current sink operation, the boost controller monitors the minimum voltage of the feedback pins and regulates an optimized output voltage for power efficiency.

The RT8568A has a wide input voltage range from 4.2V to 24V and can provide adjustable LED current from 5mA to 40mA. The internal 250m Ω , 43V power switch with current mode control provides cycle-by-cycle over current protection. The RT8568A also integrates PWM dimming function for accurate LED current control. The input PWM dimming frequency can operate from 200Hz to 25kHz without inducing any inrush in LED current or inductor current. The switching frequency of the RT8568A is also adjustable from 500kHz to 2MHz, which allows flexibility between efficiency and component size.

The RT8568A is available in a thin WQFN-20L 4x4 package.

Ordering Information

RT8568A□□	
□	Package Type
QW	: WQFN-20L 4x4 (W-Type)
	(Exposed Pad-Option 2)
□	Lead Plating System
G	: Green (Halogen Free and Pb Free)

Note :

Richtek products are :

- ▶ RoHS compliant and compatible with the current requirements of IPC/JEDEC J-STD-020.
- ▶ Suitable for use in SnPb or Pb-free soldering processes.

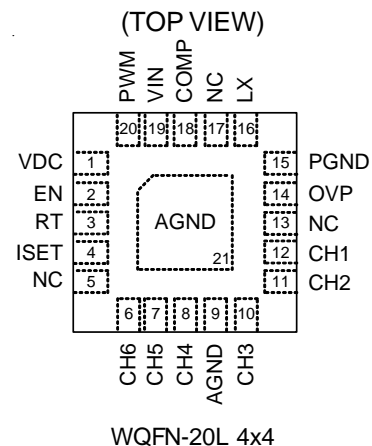
Features

- Wide Input Voltage : 4.2V to 24V
- High Output Voltage : Up to 43V
- Channel Current Programmable : 5mA to 40mA
- Channel Current Regulation with Accuracy $\pm 3\%$ and Matching $\pm 2\%$
- Dimming Controls : External PWM Input Up to 25kHz
- Adjustable Switching Frequency : 500kHz to 2MHz
- Built-In Soft-Start
- Protections
 - ▶ LED Strings Open Detection
 - ▶ Current Limit Protection
 - ▶ Programmable Over Voltage Protection
 - ▶ Over Temperature Protection
- 20-Lead WQFN Package
- RoHS Compliant and Halogen Free

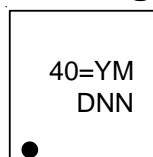
Applications

- UMPC and Notebook Computer Backlight
- GPS, Portable DVD Backlight

Pin Configurations



Marking Information



40= : Product Code
YMDNN : Date Code

Typical Application Circuit

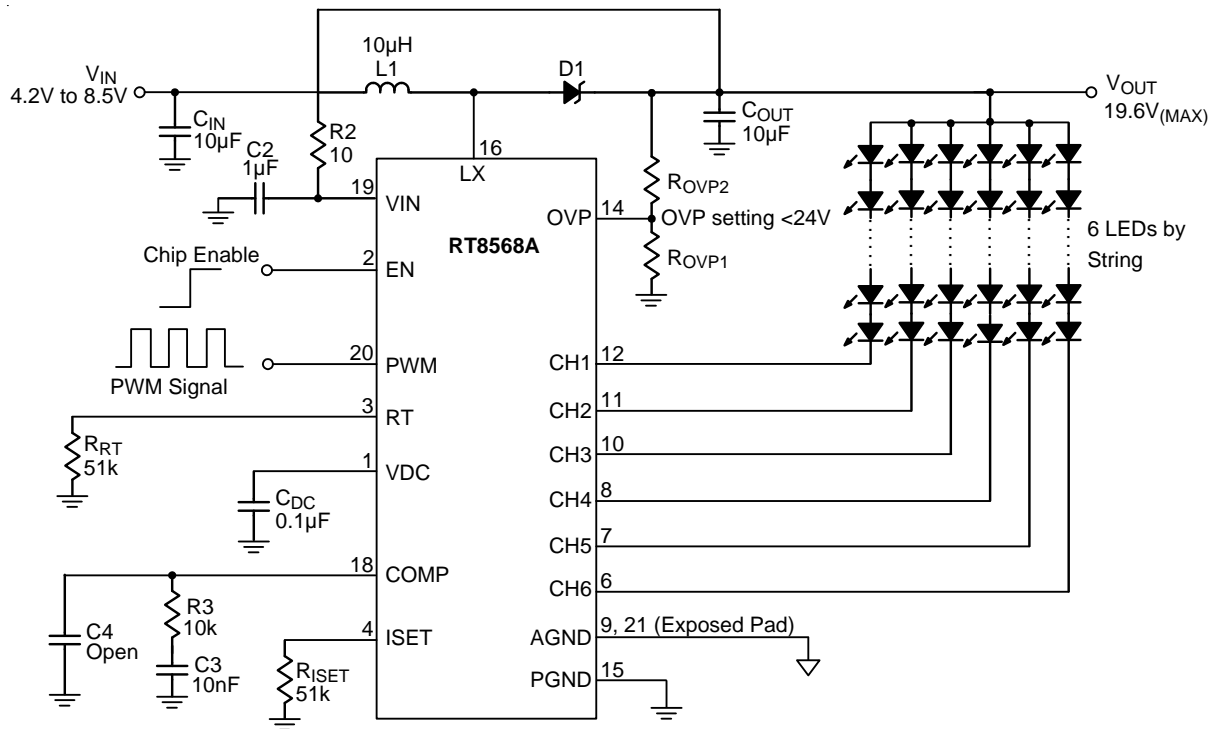


Figure 1. Application Circuit 1

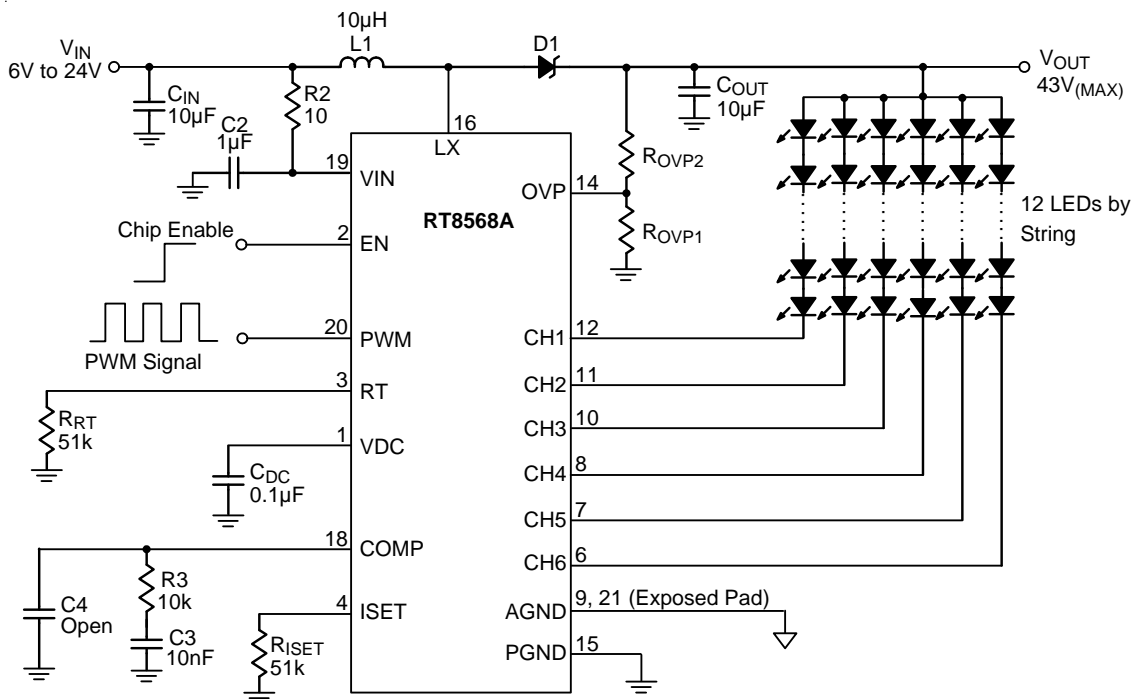


Figure 2. Application Circuit 2

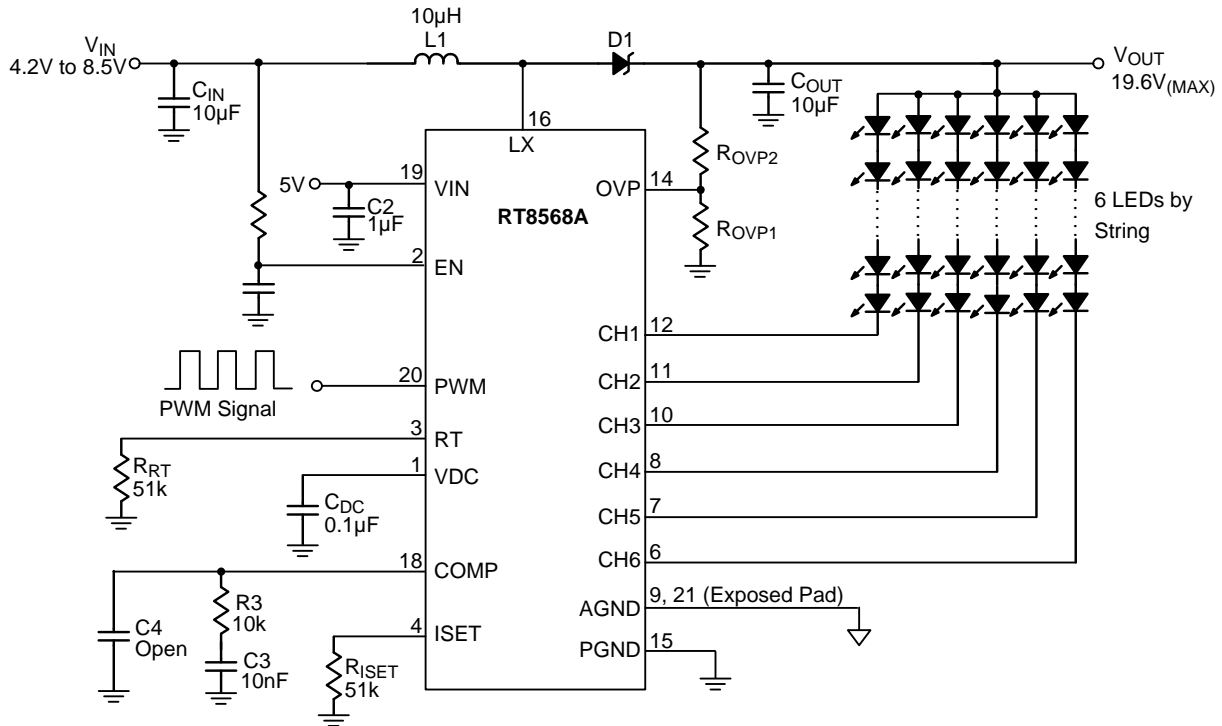
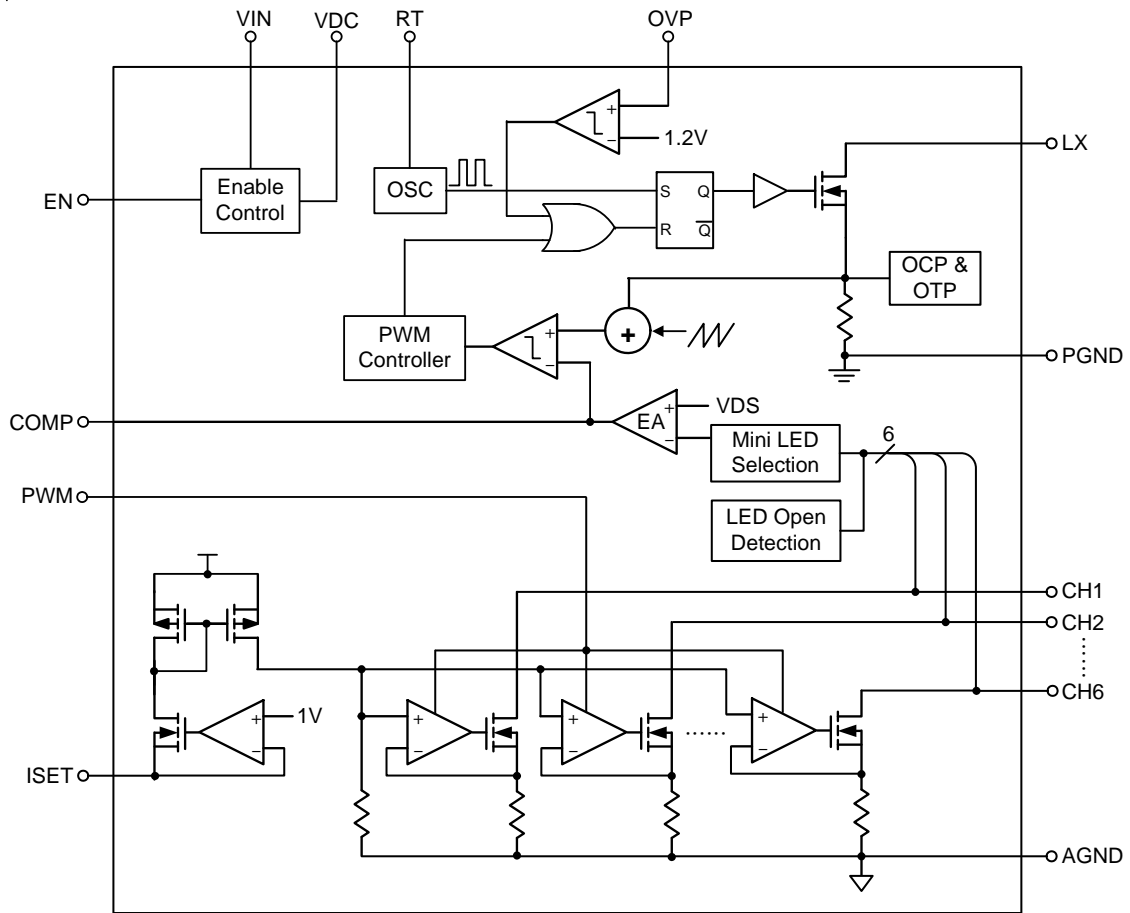


Figure 3. Application Circuit 3

Functional Pin Description

Pin No.	Pin Name	Pin Function
1	VDC	Internal Regulator Voltage. Connect a capacitor to ground.
2	EN	Chip Enable Pin (Active High). Note that this pin is high impedance. There should be a pull low 100kΩ resistor connected to AGND when the control signal is floating.
3	RT	Frequency Set Input. Used to set the switching frequency of the boost converter. Connect a resistor to ground.
4	ISET	LED Current Set Pin. LED Current is Set by the Value of the Resistor RISET Connected from the ISET Pin to ground. Do not short the ISET pin to ground. VISET is typical 1V.
5, 13, 17	NC	No Internal Connection.
6, 7, 8,	CH6 to CH4	Current Sink Regulation Input. This pin should be connected to the cathode of LEDs if used. Otherwise, it should be connected to ground.
9, 21 (Exposed Pad)	AGND	Analog Ground of LED Driver. The exposed pad must be soldered to a large PCB and connected to AGND for maximum power dissipation.
10,11,12	CH3 to CH1	Current Sink Regulation Input. This pin should be connected to the cathode of LEDs if used. Otherwise, it should be connected to ground.
14	OVP	Over Voltage Protection for Boost Converter. The detecting threshold is 1.2V.
15	PGND	Power Ground of Boost Converter.
16	LX	Switching Node for Boost Converter.
18	COMP	Compensation Pin for Error Amplifier. Connect a compensation network to ground.
19	VIN	LED Power Supply Input.
20	PWM	PWM Dimming Control Input.

Function Block Diagram



Absolute Maximum Ratings (Note 1)

- VIN to GND ----- -0.3V to 26.5V
- EN, PWM, VDC, ISET, COMP, RT to GND ----- -0.3V to 26.5V
- LX to GND ----- -0.3V to 48V
- OVP, (CH1 to CH6) to GND ----- -0.3V to 48V
- Power Dissipation, P_D @ $T_A = 25^\circ\text{C}$
 WQFN-20L 4x4 ----- 1.852W
- Package Thermal Resistance (Note 2)
 WQFN-20L 4x4, θ_{JA} ----- 54°C/W
 WQFN-20L 4x4, θ_{JC} ----- 7°C/W
- Lead Temperature (Soldering, 10 sec.) ----- 260°C
- Junction Temperature ----- 150°C
- Storage Temperature Range ----- -65°C to 150°C
- ESD Susceptibility (Note 3)
 HBM ----- 2kV
 MM ----- 200V

Recommended Operating Conditions (Note 4)

- Supply Input Voltage, V_{IN} ----- 4.2V to 24V
- Junction Temperature Range ----- -40°C to 125°C
- Ambient Temperature Range ----- -40°C to 85°C

Electrical Characteristics

($V_{IN} = 4.5\text{V}$, $T_A = 25^\circ\text{C}$, unless otherwise specified)

Parameter	Symbol	Test Conditions	Min	Typ	Max	Unit	
VIN Quiescent Current	I_{VCC}	$V_{COMP} = 0\text{V}$, No Switching	--	2	--	mA	
	I_{VCC_LX}	$V_{COMP} = 2\text{V}$, Switching	--	3	--		
Shutdown Current	I_{SHDN}	$V_{IN} = 4.5\text{V}$, $EN = 0$	--	--	20	μA	
VIN Under Voltage Lockout Threshold	V_{UVLO}	VIN Rising	--	3.8	--	V	
		VIN Falling	--	3.6	--		
Control Input							
EN Input Voltage Threshold	Logic-High	V_{EN_H}	$V_{IN} = 4.2\text{V}$ to 24V	2	--	--	V
	Logic-Low	V_{EN_L}	$V_{IN} = 4.2\text{V}$ to 24V	--	--	0.8	
PWM Input Voltage Threshold	Logic-High	V_{PWM_H}	$V_{IN} = 4.2\text{V}$ to 24V	1.5	--	--	V
	Logic-Low	V_{PWM_L}	$V_{IN} = 4.2\text{V}$ to 24V	--	--	0.6	
Boost Converter							
Switching Frequency	f_{OSC}	$R_{RT} = 25\text{k}\Omega$	--	2	--	MHz	
		$R_{RT} = 51\text{k}\Omega$	0.9	1	1.1		
		$R_{RT} = 100\text{k}\Omega$	--	0.5	--		
LX On Resistance (N-MOSFET)	$R_{DS(ON)}$	$V_{IN} > 4.5\text{V}$	--	0.25	--	Ω	
Minimum On Time	t_{MON}	$f_{OSC} = 1\text{MHz}$	--	120	--	ns	
Maximum Duty	D_{MAX}	$V_{COMP} = 2\text{V}$, Switching	--	94	--	%	
LX Current Limit	I_{LIM}		1.6	2	2.4	A	
Regulated V_{CHx}	V_{CHx}	Highest LED String, $I_{LED} = 20\text{mA}$	--	0.6	--	V	

Parameter	Symbol	Test Conditions	Min	Typ	Max	Unit
LED Current Programming						
LED Current Accuracy	I _{LEDA}	2V > V _{CHx} > 0.6V, R _{ISET} = 51kΩ	-3	--	3	%
LED Current Matching	I _{LEDM}	2V > V _{CHx} > 0.6V, R _{ISET} = 51kΩ, Calculating $\frac{(I_{LEDx} - I_{AVG})}{I_{AVG}} \times 100\%$	--	±0.5	±2	%
ISET Pin Voltage	V _{ISET}		--	1	--	V
Fault Protection						
Over Voltage Threshold	V _{OVP}		--	1.2	--	V
OVP Fault	V _{OVP_FAULT}		--	50	--	mV
Thermal Shutdown Temperature	T _{SD}		--	150	--	°C
LED Channel Under Voltage Threshold	V _{LSD}	No-Connection	--	60	--	mV

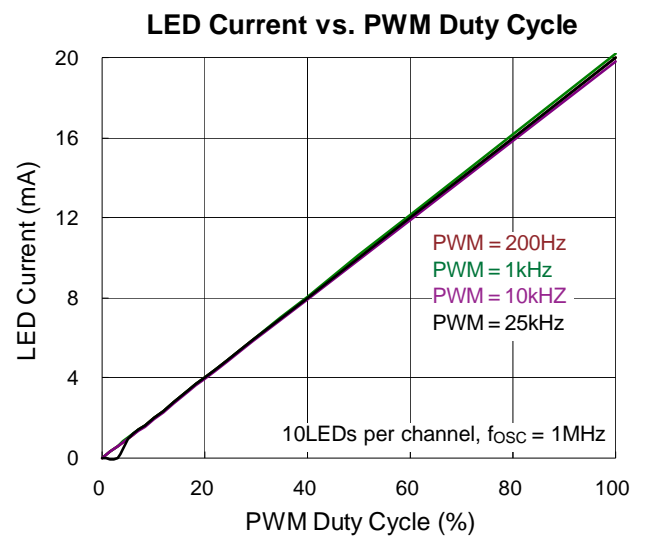
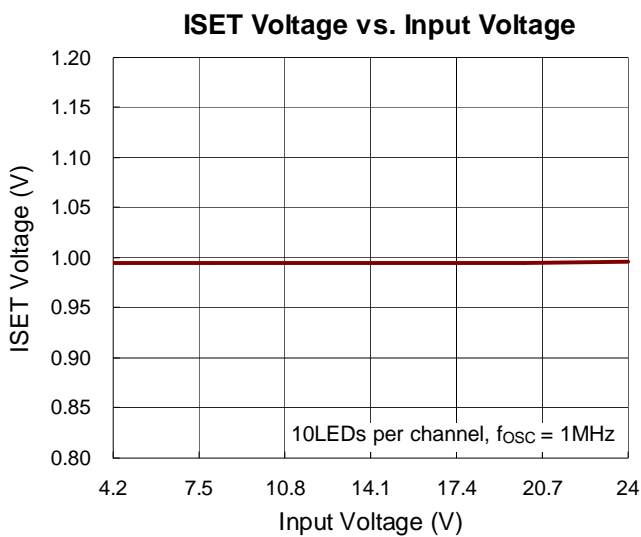
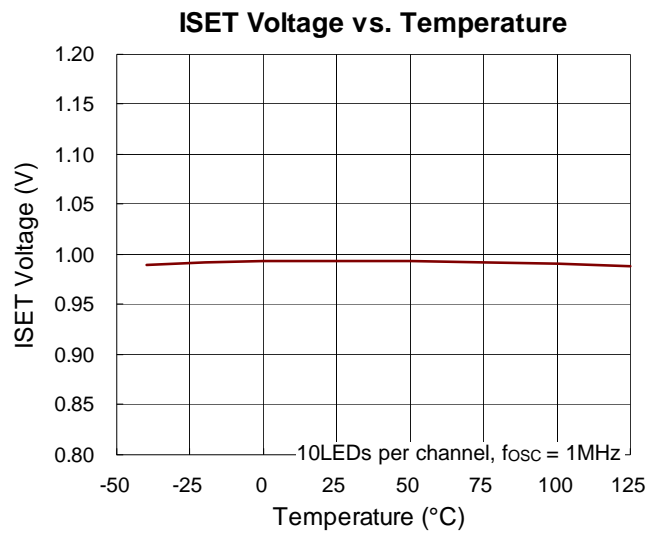
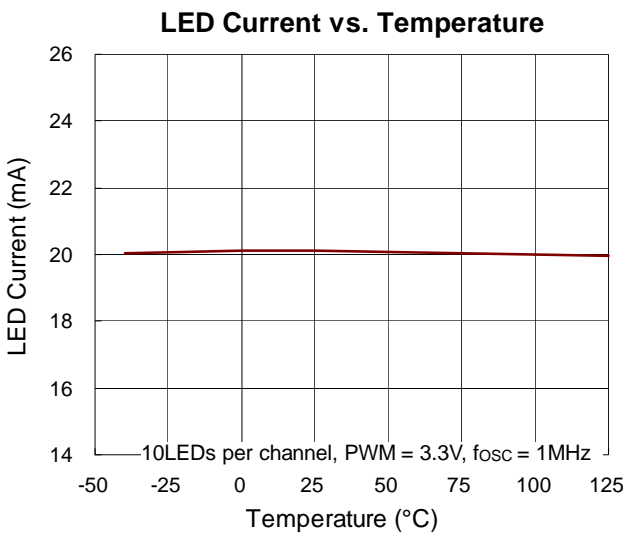
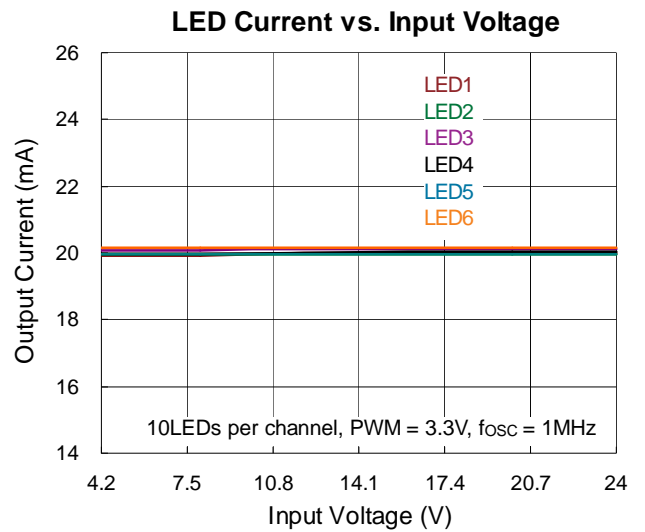
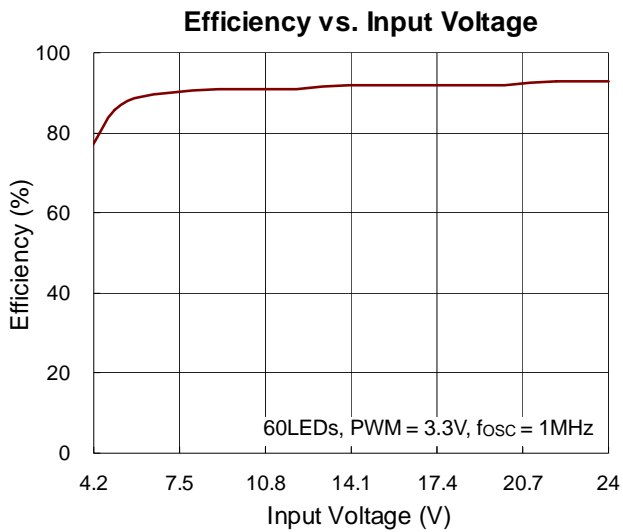
Note 1. Stresses beyond those listed “Absolute Maximum Ratings” may cause permanent damage to the device. These are stress ratings only, and functional operation of the device at these or any other conditions beyond those indicated in the operational sections of the specifications is not implied. Exposure to absolute maximum rating conditions may affect device reliability.

Note 2. θ_{JA} is measured at T_A = 25°C on a high effective thermal conductivity four-layer test board per JEDEC 51-7. θ_{JC} is measured at the exposed pad of the package.

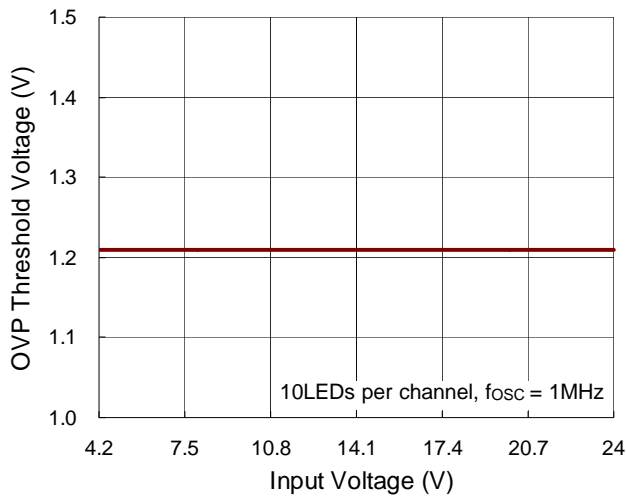
Note 3. Devices are ESD sensitive. Handling precaution is recommended.

Note 4. The device is not guaranteed to function outside its operating conditions.

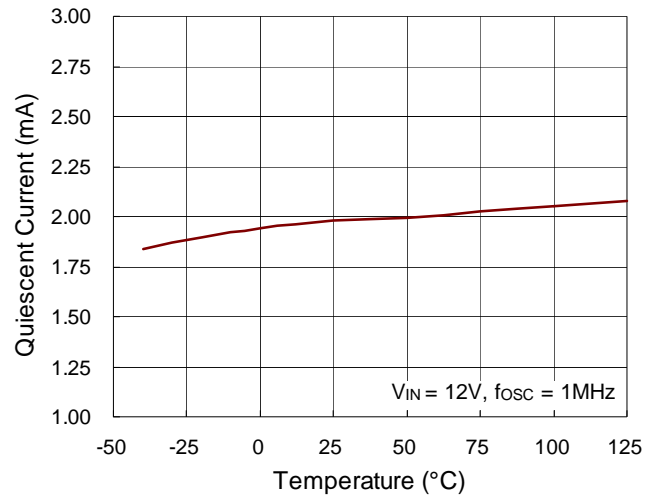
Typical Operating Characteristics



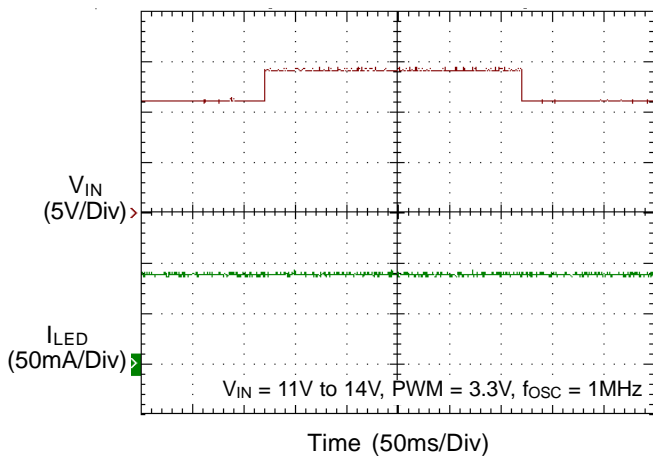
OVP Threshold Voltage vs. Input Voltage



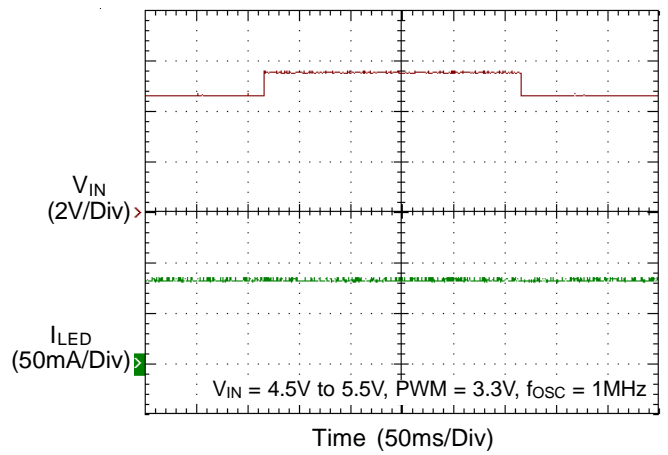
Quiescent Current vs. Temperature



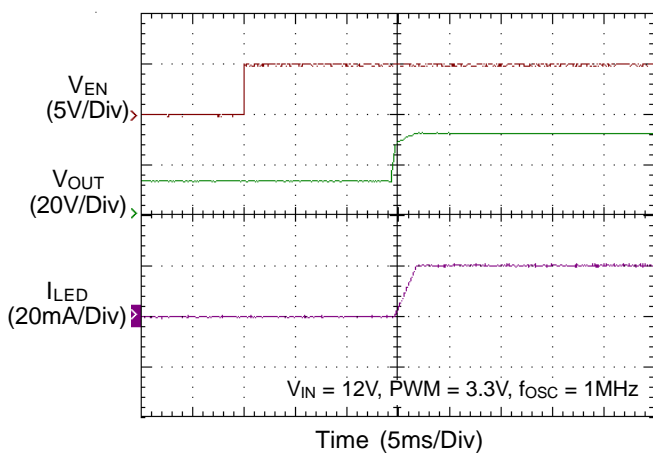
Line Transient Response



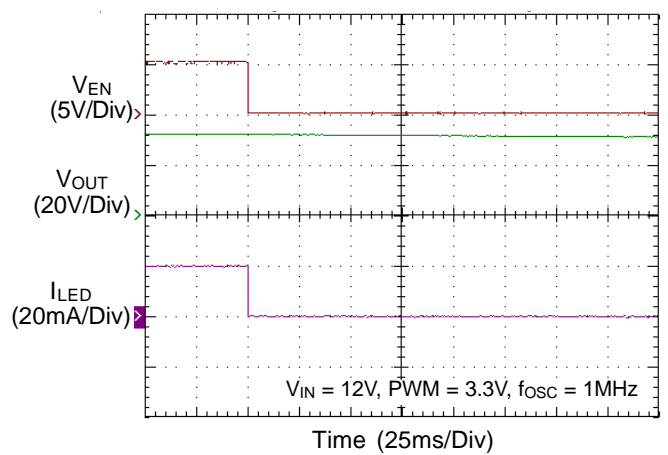
Line Transient Response



Power On from EN



Power Off from EN



Application Information

The RT8568A is a current mode boost converter capable of powering to 72 white LEDs with a programmable current for uniform intensity. The part integrates current sources, soft-start, and easy analog and digital dimming control. The protection block provides the circuitry for over temperature, over voltage and current limit protection features.

Input UVLO

The input operating voltage range of the RT8568A is from 4.2V to 24V. An input capacitor at the VIN pin can reduce ripple voltage. It is recommended to use a ceramic 10µF or larger capacitance as the input capacitor. This IC provides an Under Voltage Lockout (UVLO) function to enhance the stability during startup. The UVLO threshold of the input rising voltage is set at 3.8V typically with a 0.2V hysteresis.

Soft-Start

The function of the soft-start is defined by two periods. The first period is capped at the peak current limit with the time decided by the ratio of V_{OUT} and V_{IN}. However, an external capacitor, V_{OUT}, can also affect the time of charging. The second period is defined by the slowly ramping of the I_{LED} current by the I_{SET} voltage. Thus, the inrush current is limited by the boost converter and current regulator.

Compensation

The control loop can be compensated by adjusting the external components connected to the COMP pin. The COMP pin is the output of the internal error amplifier. The compensation capacitors, C3 and C4, will adjust the integrator zero and pole respectively to maintain stability. Moreover, the resistor, R3, will adjust the frequency integrator gain for fast transient response.

LED Connection

The RT8568A equips 6-CH LED drivers with each channel supporting up to 12 LEDs. The 6 LED strings are connected from V_{OUT} to pin 6, 7, 8, 10, 11, and 12 respectively. If one of the LED channels is not used, the unused LED pin should be opened directly.

Setting and Regulation of LED current

The LED current can be calculated by the following equation :

$$I_{LED} = \frac{1020}{R_{ISET}}$$

where, R_{ISET} is the resistor between the ISET pin and GND.

This setting is the reference for the LED current at CH1 to CH6 and represents the sensed LED current for each string. The DC/DC converter regulates the LED current according to the setting.

Brightness Control

The RT8568A brightness dimming is determined by the signal on the PWM pin with a suggested PWM frequency range from 200Hz to 25kHz. Referring to the following curve, the minimum dimming duty can be as low as 1% for the frequency range from 200Hz to 1kHz. For the frequency range from 1kHz to 10kHz, the dimming duty is at most 5%. If the frequency is increased to 25kHz, the dimming duty will be up to 10%.

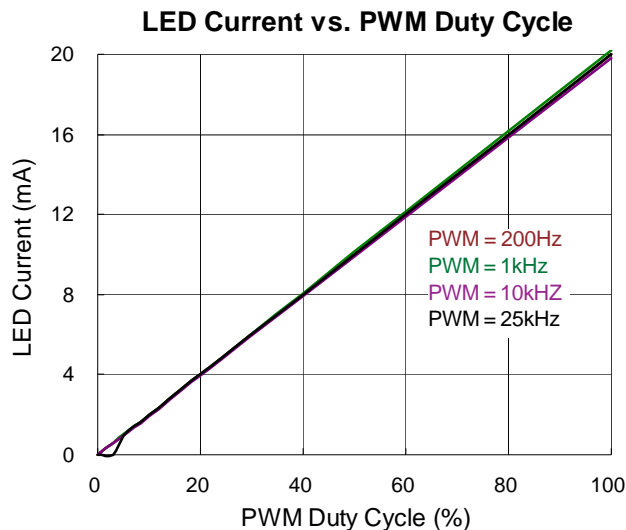


Figure 4

Over Voltage Protection

The RT8568A equips an Over Voltage Protection (OVP) function. When the voltage at the OVP pin reaches a threshold of approximately 1.2V, the MOSFET driver turns off. The MOSFET driver turns on again once the voltage at OVP drops below the threshold voltage. Thus, the

output voltage can be clamped at a certain voltage level. This voltage level can be calculated by the following equation :

$$V_{OUT, OVP} = V_{OVP} \times \left(1 + \frac{R_{OVP1}}{R_{OVP2}}\right)$$

where R_{OVP1} and R_{OVP2} are the resistors in the voltage divider connected to the OVP pin. If at least one string is in normal operation, the controller will automatically ignore the open strings and continue to regulate the current for the string(s) in normal operation.

Current Limit Protection

The RT8568A can limit the peak current to achieve over current protection. The RT8568A senses the inductor current through LX pin in the ON period. The duty cycle depends on the current sense signal summed with the internal slope compensation and compared to the COMP signal. The internal N-MOSFET will be turned off when the current signal is larger than the COMP signal. In the OFF period, the inductor current will descend. The internal MOSFET is turned on by the oscillator in the next starting cycle.

Over Temperature Protection

The RT8568A has an Over Temperature Protection (OTP) function to prevent excessive power dissipation from overheating the device. The OTP will shut down switching operation when the junction temperature exceeds 150°C.

Inductor Selection

The value of the output inductor (L), where the transition from discontinuous to continuous mode occurs is approximated by the following equation :

$$L = \frac{(V_{OUT} - V_{IN}) \times V_{IN}^2}{2 \times I_{OUT} \times f \times V_{OUT}^2}$$

where,

V_{OUT} = maximum output voltage.

V_{IN} = minimum input voltage.

f = operating frequency.

I_{OUT} = sum of current from all LED strings.

η is the efficiency of the power converter.

The boost converter operates in discontinuous mode over the entire input voltage range when the L1 inductor value is less than this value L. With an inductance greater than L, the converter operates in continuous mode at the minimum input voltage and may be discontinuous at higher voltages.

The selected inductor must be selected with saturation current rating greater than the peak current provided by the following equation :

$$I_{PEAK} = \left(\frac{V_{OUT} \times I_{OUT}}{\eta \times V_{IN}}\right) + \left(\frac{V_{IN} \times T}{2 \times L}\right) \times \left(\frac{V_{OUT} - V_{IN}}{V_{OUT}}\right)$$

Diode Selection

Schottky diode is a good choice for any asynchronous boost converter due to its small forward voltage and fast switching Speed. However, when selecting a Schottky diode, important parameters such as power dissipation, reverse voltage rating and pulsating peak current must all be taken into consideration. Choose a suitable diode with reverse voltage rating greater than the maximum output voltage.

Capacitor Selection

The input capacitor reduces current spikes from the input supply and minimizes noise injection to the converter. For most applications, a 10 μ F ceramic capacitor is sufficient. A value higher or lower may be used depending on the noise level from the input supply and the input current to the converter. It is recommended to choose a ceramic capacitor based on the output voltage ripple requirements. The minimum value of the output capacitor C_{OUT} , can be calculated by the following equation :

$$C_{OUT} = \frac{(V_{OUT} - V_{IN}) \times I_{OUT}}{\eta \times V_{RIPPLE} \times V_{OUT} \times f}$$

Thermal Considerations

For continuous operation, do not exceed absolute maximum junction temperature. The maximum power dissipation depends on the thermal resistance of the IC package, PCB layout, rate of surrounding airflow, and difference between junction and ambient temperature. The maximum power dissipation can be calculated by the following formula :

$$P_{D(MAX)} = (T_{J(MAX)} - T_A) / \theta_{JA}$$

where $T_{J(MAX)}$ is the maximum junction temperature, T_A is the ambient temperature, and θ_{JA} is the junction to ambient thermal resistance.

For recommended operating condition specifications of the RT8568A, the maximum junction temperature is 125°C and T_A is the ambient temperature. The junction to ambient thermal resistance, θ_{JA} , is layout dependent. For WQFN-20L 4x4 package, the thermal resistance, θ_{JA} , is 54°C/W on a standard JEDEC 51-7 four-layer thermal test board. The maximum power dissipation at $T_A = 25^\circ\text{C}$ can be calculated by the following formula :

$$P_{D(MAX)} = (125^\circ\text{C} - 25^\circ\text{C}) / (54^\circ\text{C/W}) = 1.852\text{W for}$$

WQFN-20L 4x4 package

The maximum power dissipation depends on the operating ambient temperature for fixed $T_{J(MAX)}$ and thermal resistance, θ_{JA} . For the RT8568A package, the derating curve in Figure 5 allows the designer to see the effect of rising ambient temperature on the maximum power dissipation.

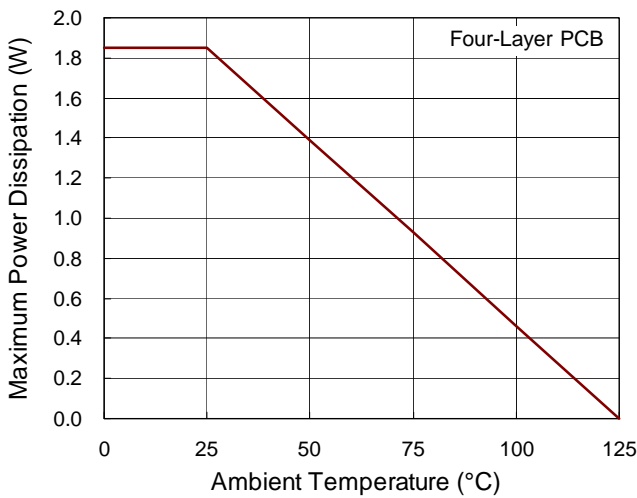


Figure 5. Derating Curve for RT8568A Package

Layout Considerations

PCB layout is very important for designing switching power converter circuits. The following layout guides should be strictly followed for best performance of the RT8568A.

- ▶ The power components L1, D1, C_{IN}, C_{OUT} must be placed as close to the IC as possible to reduce current loop. The PCB trace between power components must be as short and wide as possible.
- ▶ Place L1 and D1 as close to the LX pin as possible. The trace should be as short and wide as possible.
- ▶ The compensation circuit should be kept away from the power loops and shielded with a ground trace to prevent any noise coupling. Place the compensation components as close to the COMP pin as possible.
- ▶ The exposed pad of the chip should be connected to ground plane for thermal consideration.

The compensation circuit should be kept away from The power loops and shielded with a ground trace to prevent any noise coupling.

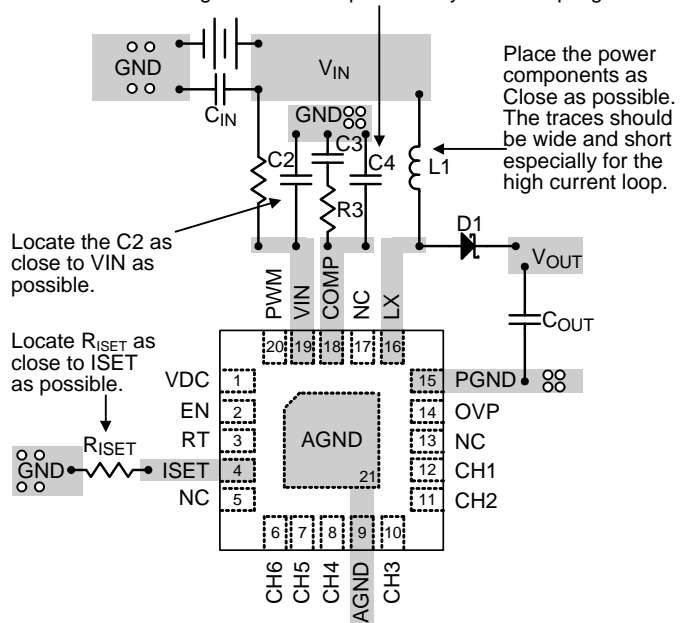
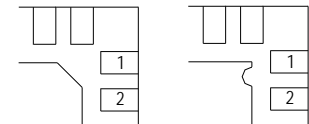
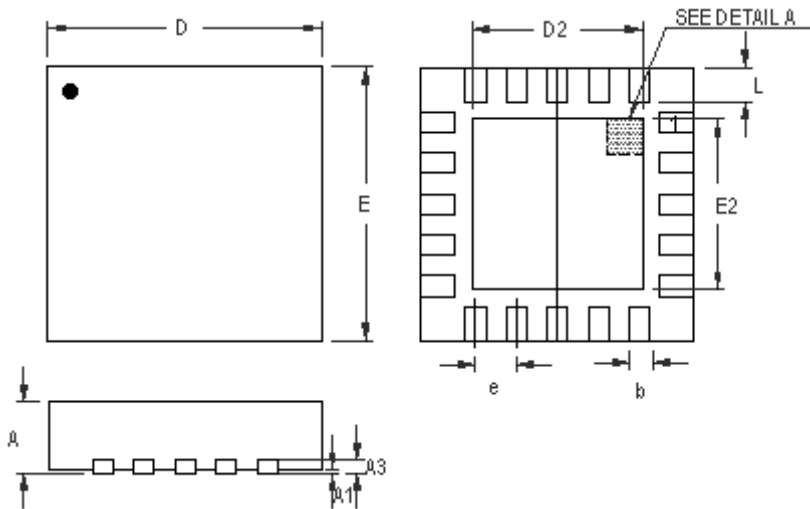


Figure 6. PCB Layout Guide

Outline Dimension



DETAIL A

Pin #1 ID and Tie Bar Mark Options

Note : The configuration of the Pin #1 identifier is optional, but must be located within the zone indicated.

Symbol	Dimensions In Millimeters		Dimensions In Inches		
	Min	Max	Min	Max	
A	0.700	0.800	0.028	0.031	
A1	0.000	0.050	0.000	0.002	
A3	0.175	0.250	0.007	0.010	
b	0.150	0.300	0.006	0.012	
D	3.900	4.100	0.154	0.161	
D2	Option 1	2.650	2.750	0.104	0.108
	Option 2	2.100	2.200	0.083	0.087
E	3.900	4.100	0.154	0.161	
E2	Option 1	2.650	2.750	0.104	0.108
	Option 2	2.100	2.200	0.083	0.087
e	0.500		0.020		
L	0.350	0.450	0.014	0.018	

W-Type 20L QFN 4x4 Package

Richtek Technology Corporation

5F, No. 20, Taiyuen Street, Chupei City
 Hsinchu, Taiwan, R.O.C.
 Tel: (8863)5526789

Richtek products are sold by description only. Richtek reserves the right to change the circuitry and/or specifications without notice at any time. Customers should obtain the latest relevant information and data sheets before placing orders and should verify that such information is current and complete. Richtek cannot assume responsibility for use of any circuitry other than circuitry entirely embodied in a Richtek product. Information furnished by Richtek is believed to be accurate and reliable. However, no responsibility is assumed by Richtek or its subsidiaries for its use; nor for any infringements of patents or other rights of third parties which may result from its use. No license is granted by implication or otherwise under any patent or patent rights of Richtek or its subsidiaries.

Mouser Electronics

Authorized Distributor

Click to View Pricing, Inventory, Delivery & Lifecycle Information:

[Richtek:](#)

[RT8568AGQW](#)