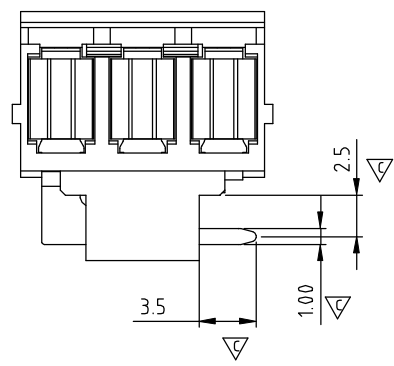
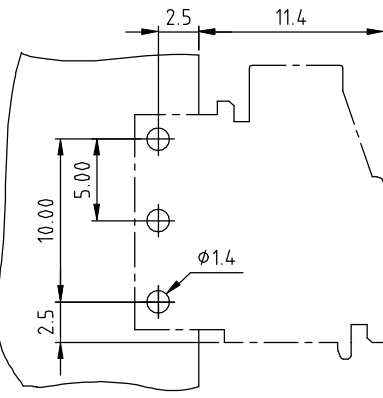
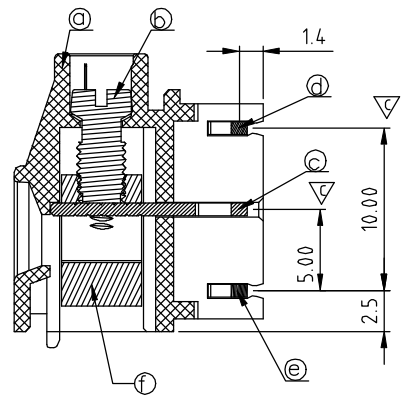
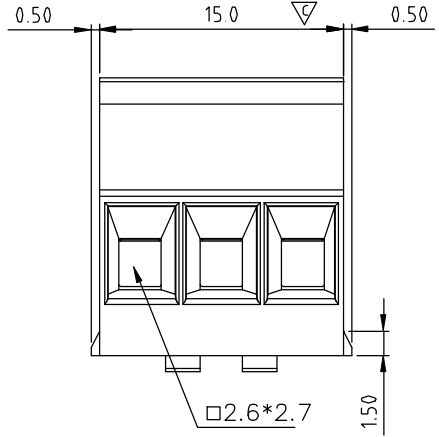
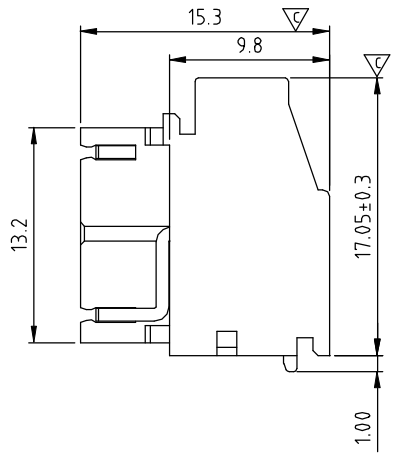
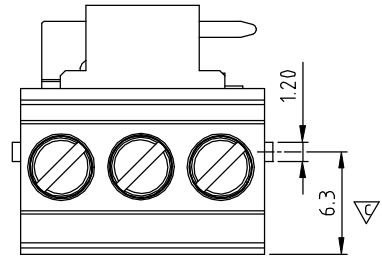


SIGN	DATE	DESCRIPTION	APPROVER
△	07/09'13	update the drawing	Guoxue
<i>THIS IS CAD DRAWING, DO NOT REVISE MANUALLY!!!</i>			



Materials

- Item a Terminal housing : Thermoplastic (UL94V-0)
- Item b Terminal screw : Steel Zinc plating "--" slot type
- Item c Wire guard solder pin 1 : Brass ,Tin plated
- Item d Wire guard solder pin 2 : Brass ,Tin plated
- Item e Wire guard solder pin 3 : Brass ,Tin plated
- Item f Clamp : Brass, Ni Plated

Electrical cULus

- Voltage rating: 300VAC
- Current rating: 10A
- Wire range:
- Solid wire(AWG): 12-30
- Stranded wire(AWG): 12-30
- Torque(Lb-In): 5.0
- Screw: M3
- Wire strip length: 7-8mm
- Withstanding Voltage: 1.6KV
- Operating temperature: -40°C to +115°C
- Soldering temperature: 260°C±5°C/5 Sec
- △ Safety Approval: US
- Critical dimension:

E6 03 0 1 x 0 xxxx G

COLOR	G RoHS compliant (lead<4%) In copper Alloy
0 Black (RAL9005)	0000: "@ " Logo (Standard)
2 Red (RAL3001/D)	000A: "ANYTEK" Mark
3 Orange(RAL2011/P)	Any special item by customer request.
4 Yellow(RAL1018/A)	please contact sales department.
5 Green(RAL6018/T)	
6 Blue (RAL5015/A)	
8 Grey(RAL7035/D)	
9 White(RAL1102)	
C Green(RAL6018/U)	

ANYTEK				CUSTOMER COPY			
<small>ALL RIGHTS RESERVED. REPRODUCTION OR ISSUE TO THIRD PARTIES IN ANY FORM WHATSOEVER IS NOT PERMITTED WITHOUT WRITTEN AUTHORITY FROM THE PROPRIETOR. PROPERTY OF ANYTEK TECHNOLOGY CO., LTD</small>							
TITLE	E6 5.0 SERIES 3P (Right)--Brass			DWG NO.	8E60015		
PART NO.	E60301x0xxxxG			CUST NO.			
APPROVED	CHECKED	DESIGNED	DRAWN			Tolerance	
		Guoxue 2013.07.19	Guoxue 2013.07.19			UNIT: mm	X. ±0.5
				SHEET: 01/01		SCALE: NONE	X.X ±0.3
				REV.: C			X.XX ±0.1
							X° ±1°

P.C.B Layout

Mouser Electronics

Authorized Distributor

Click to View Pricing, Inventory, Delivery & Lifecycle Information:

[Amphenol:](#)

[E60301500000G](#)