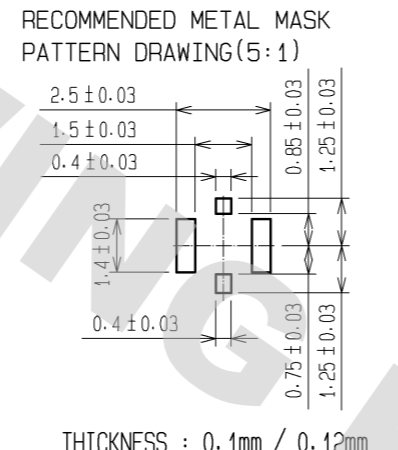
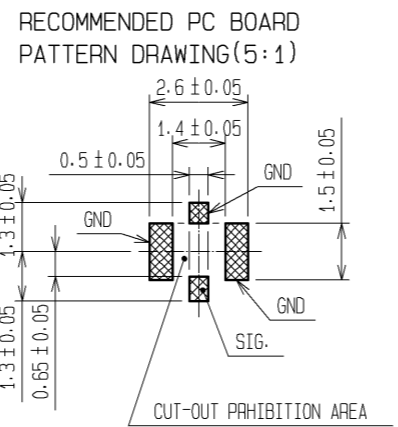
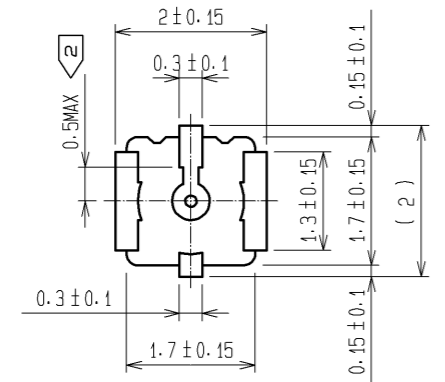
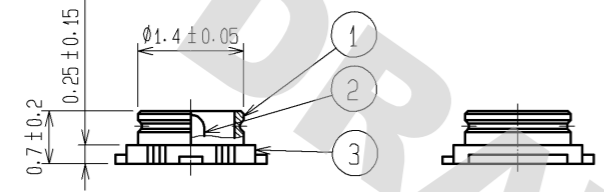
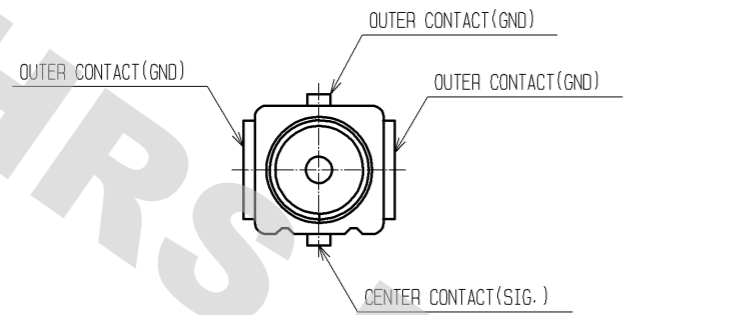


DRAWING FOR REFERENCE: This is subject to change without notice
08/11/2012

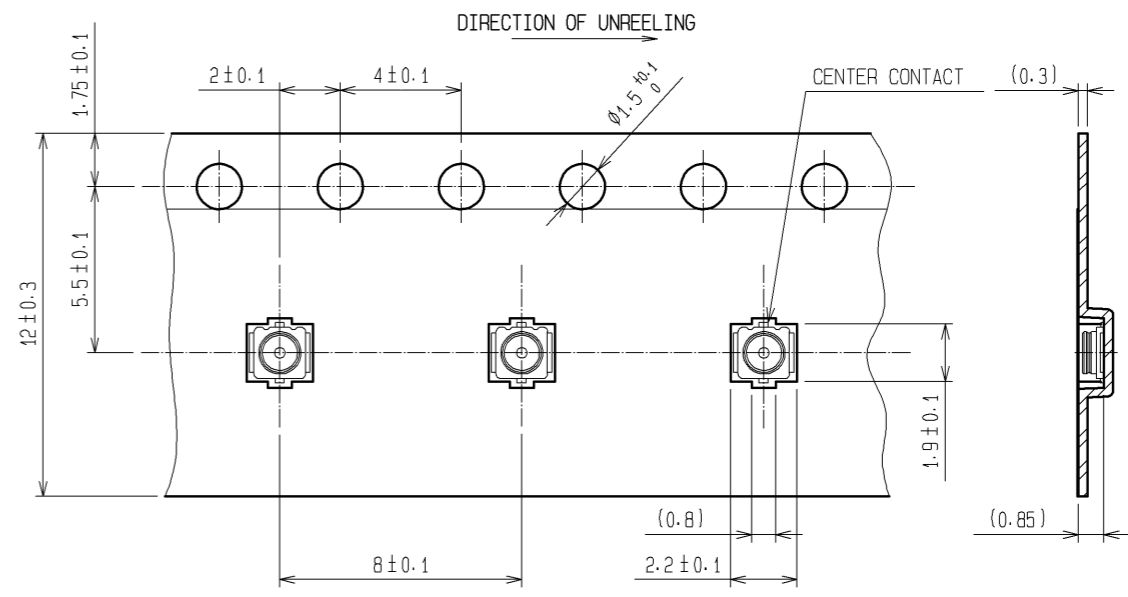
1 2 3 4 5 6 7 8

A
B
C
D
E
F

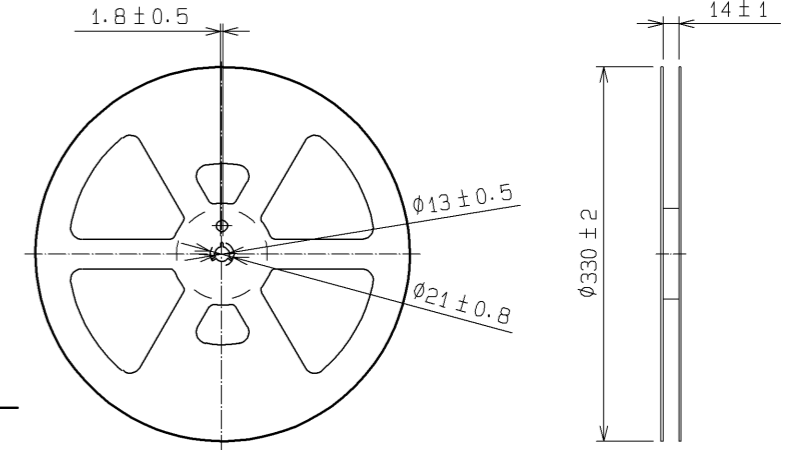
A
B
C
D
E
F



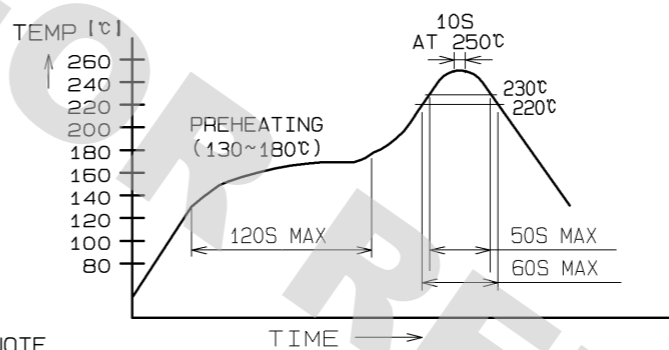
EMBOSSED TAPING DRAWING (4:1)



REEL DRAWING (SCALE FREE)



MOUNTING TEMPERATURE PROFILE (REFERENCE)



NOTE
MOUNTING TEMPERATURE PROFILE VARIES ACC TO BOARD SIZE, SOLDER TYPE APPLIED AND SOLDER THICKNESS.
MATERIAL: PS(WHITE)
·METAL MASK THICKNESS: 0.1mm / 0.12mm
·Up to 2cycles of Reflow.

NOTES:

- 1 : THE QUANTITY OF W.FL2-R-SMT-1(40) IS 5000 CONNECTORS PER REEL.
- 2 : THIS DIMENSION SHOWS THE ALLOWABLE RANGE THAT THE RESIN IS PUT OVER THE CENTER CONTACT.
- 3 : LEAD CO-PLANARITY SHALL BE 0.1MAX.
- 4 : FOR THE POSSIBILITY OF BREAKAGE OR DEFORMATION, DO NOT MATE THIS CONNECTOR WITH PARTNER, W.FL2-LP-040 BEFORE MOUNTING ON PC BOARD.
- 5 : THERE IS NO COMPATIBILITY BETWEEN W.FL SERIES AND W.FL2 SERIES.
- 6 : USE ALL PRODUCTS WITHIN 6 MONTHS AFTER THE DELIVERY. STORE THEM IN MANUFACTURER'S PACKAGE OR TIGHTLY RE-CLOSED BOX WITH THE FOLLOWING CONDITIONS. CHECK THE TERMINAL SOLDERABILITY BEFORE USE IF THE PRODUCT HAS BEEN STORED FOR MORE THAN 6 MONTHS.
TEMPERATURE: -10°C TO +40°C
HUMIDITY : 15 TO 85% RH.
- 7 : ENVIRONMENTAL CONDITIONS DO NOT USE THE PRODUCTS UNDER THE ENVIRONMENTAL CONDITIONS AS SHOWN BELOW DUE TO POSSIBLE PRODUCT DETERIORATION.
SPECIAL GAS ATMOSPHERE (HYDROGEN SULFIDE GAS, SULFUR SULFIDE GAS AND HYDROGEN CHLORIDE GAS)
PLACE ATTENTION REQUIRED: HEATING SYSTEM, AREA NEAR HOT SPRING, VOLCANIC MOUNTAIN AND ALIKE.
WATER SPLASHED AND CONDENSATION PLACES.
PLACE ATTENTION REQUIRED: HARSH TEMPERATURE CHANGE.

5000PCS/PLASTIC REEL

2	BRASS	GOLD PLATING	3	LCP	(BLACK). UL94V-0
1	PHOSPHOR BRONZE	SILVER PLATING			
NO.	MATERIAL	FINISH . REMARKS	NO.	MATERIAL	FINISH . REMARKS
UNITS mm		SCALE 10:1	COUNT 2	DESCRIPTION OF REVISIONS DIS-D-001378	DESIGNED YI. FUNADA
					CHECKED NK. NINOMIYA
					DATE 09. 03. 12
				APPROVED : IJ. MITANI 06. 11. 25	DRAWING NO. EDC3-305250-40
				CHECKED : NK. NINOMIYA 06. 11. 24	PART NO. W. FL2-R-SMT-1(40)
				DESIGNED : TS. SAWAI 06. 11. 24	CODE NO. CL331-0315-4-40
				DRAWN : NK. NINOMIYA 06. 11. 24	

Mouser Electronics

Authorized Distributor

Click to View Pricing, Inventory, Delivery & Lifecycle Information:

[Hirose Electric:](#)

[W.FL2-R-SMT-1\(40\)](#)