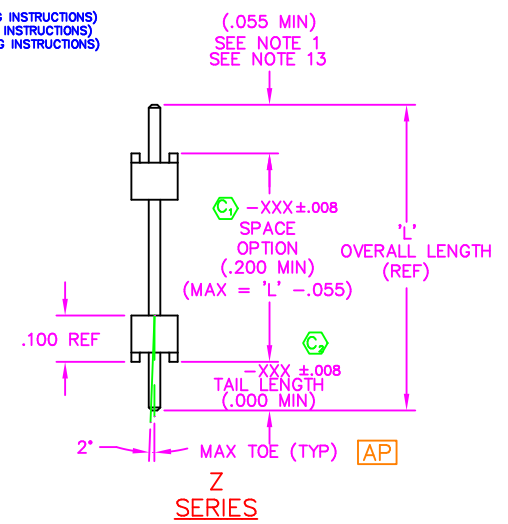
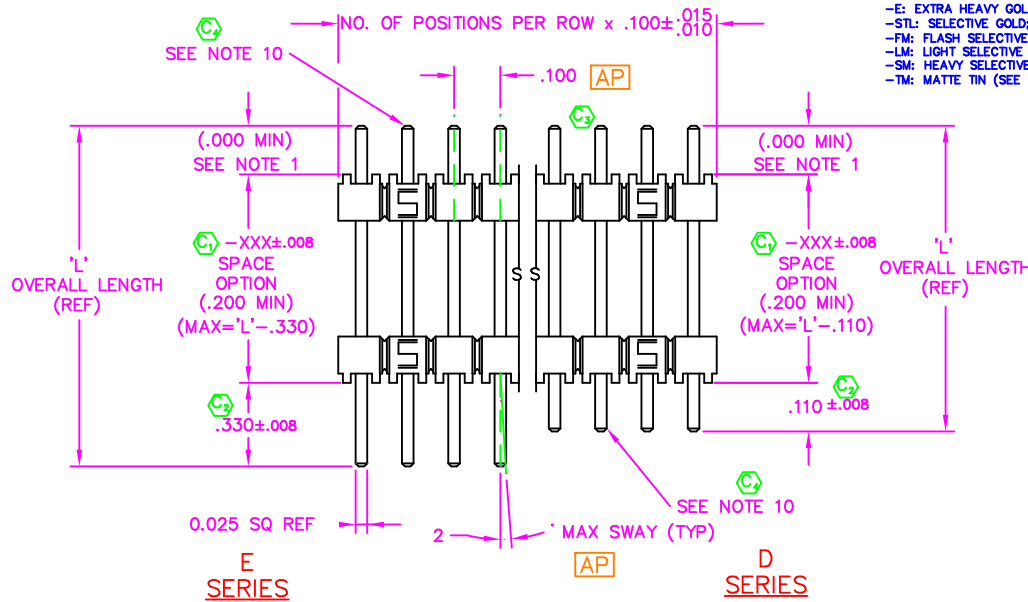
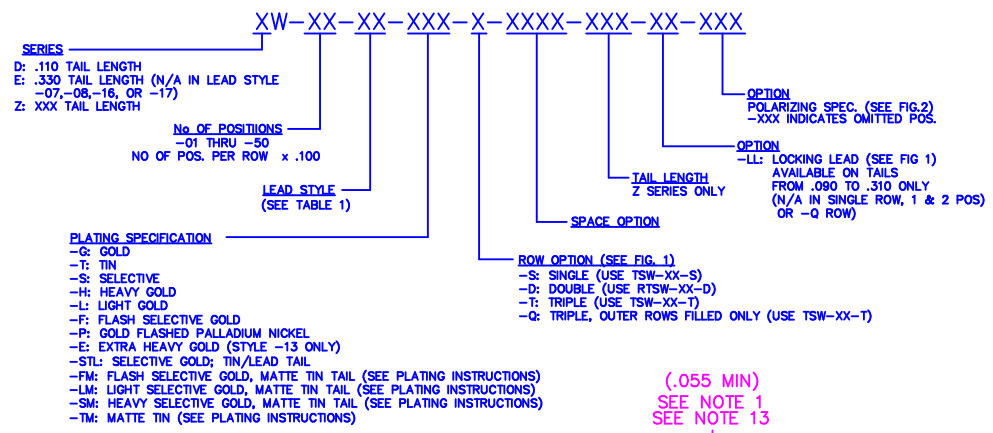


LEAD STYLE		TERMINAL	'L' OVERALL LENGTH (REF)
SERIES D&Z	SERIES E		
07	N/A	T-1S6-07-XXX-2	.430
08	N/A	T-1S6-08-XXX-2	.530
09	09	T-1S6-09-XXX-2	.730
10	10	T-1S6-10-XXX-2	.830
11	11	T-1S6-11-XXX-2	.930
12	12	T-1S6-12-XXX-2	1.030
13	13	T-1S6-13-XXX-2	1.230
14	14	T-1S6-14-XXX-2	1.430
15	15	T-1S6-15-XXX-2	.630
16	N/A	T-1S6-16-XXX-2	.445
17	N/A	T-1S6-17-XXX-2	.480
19	19	T-1S6-19-XXX-2	1.330
20	20	T-1S6-20-XXX-2	1.130



- NOTES:**
- HEIGHT VARIATION BETWEEN ANY TWO PINS AND ROW SHALL BE .010 MAX.
  - S PLATING: PLATED AREA WILL BE ON THE LONGER TAIL.
  - G PLATING: HEAVY GOLD ON LONGER TAIL
  - L PLATING: GOLD ON LONGER TAIL
  - H PLATING: HEAVY GOLD ON LONGER TAIL
  - F PLATING: FLASH SELECTIVE GOLD ON LONGER TAIL
  - P PLATING: GOLD FLASHED PALLADIUM NICKEL ON LONGER TAIL
  - E PLATING: EXTRA HEAVY GOLD ON LONGER TAIL
  - (C) REPRESENTS A CRITICAL DIMENSION.
  - F, -S, -L, -P GOLD TO BE ON LONGER TAIL.
  - G, -H, -E, HEAVY GOLD TO BE ON LONGER TAIL.
  - CRIMPED TAILS OF .090 TO BE TOLERANCED +.008/-0.000.
  - TSW-50-D TO BE USED IF RTSW-50-D IS NOT AVAILABLE
  - .000 MIN IF TAIL LENGTH IS GREATER THAN OR EQUAL TO .055.
  - TERMINAL PUSHOUT FORCE: 3 LBS. MIN.
  - MAXIMUM CUT FLASH: .010[.25]

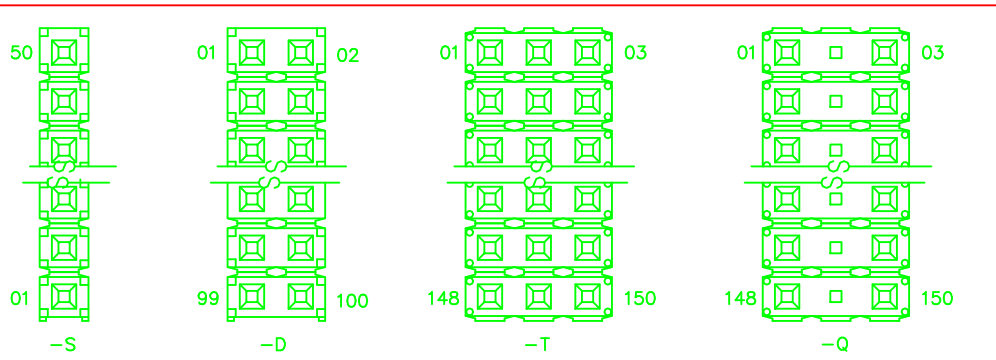


FIGURE 2

NUMBER POSITIONS WITH .330, .110, OR ZW TAIL DOWN

**MATERIAL:**  
BODIES:  
SINGLE & DOUBLE ROW STRAIGHT:  
VALOX DR-48 or  
DuPONT CRASTIN SK652FR  
ALL OTHER BODY STYLES:  
VALOX 420 SEO  
GLASS FILLED POLYESTER  
COLOR: BLACK  
TERMINALS:  
PHOSPHOR BRONZE, ALLOY  
NO. 510, 3/4 HARD,  
TENSILE RANGE 95-105 KSI

EXISPROD\ASSEMBLY\100  
XW-ASM

**samtec**

520 PARK EAST BLVD. NEW ALBANY, INDIANA 47150  
PHONE (812) 944-6733 P.O. BOX 1147  
CODE 55322

MADE BY: WILLIAMS 8-13-84

XW-XX-XX-XXX-X-XXXX-XXX-XX-XXX  
SHEET 1 OF 2

DIMENSIONS ARE IN INCHES		UNLESS OTHERWISE NOTED	TOLERANCES ARE:
ONE PLACE DECIMALS ±.1	THREE PLACE DECIMALS ± .005	ANGLES ± 2°	
TWO PLACE DECIMALS ±.01	FOUR PLACE DECIMALS ± .0020		

TITLE: **LOW COST BOARD SPACERS**

DWG NO: XW-XX-XX-XXX-X-XXXX-XXX-XX-XXX  
SHEET 2 OF 2

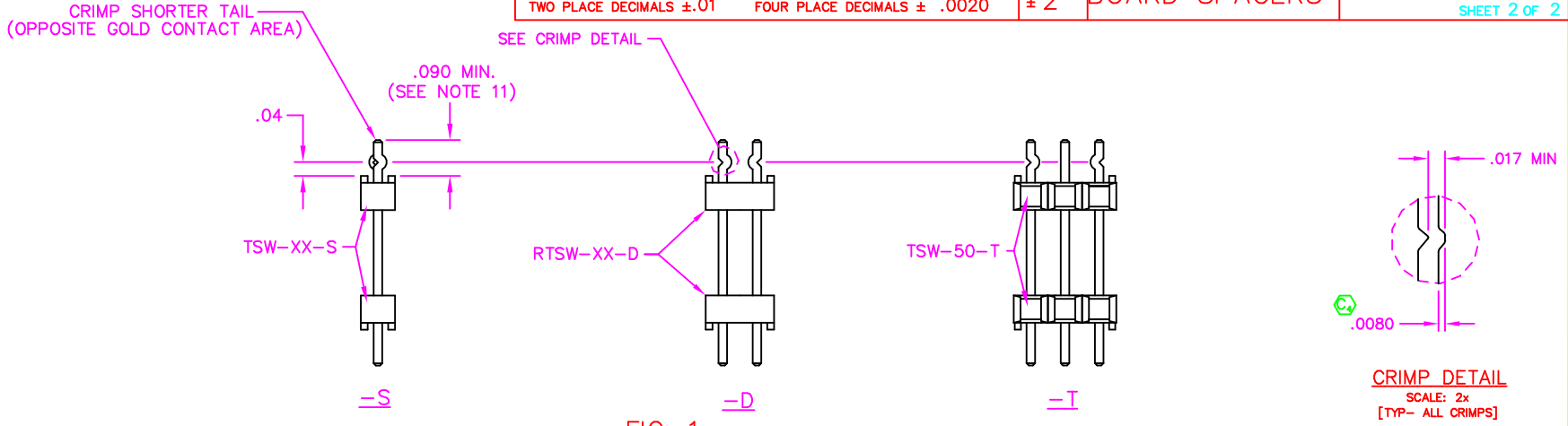
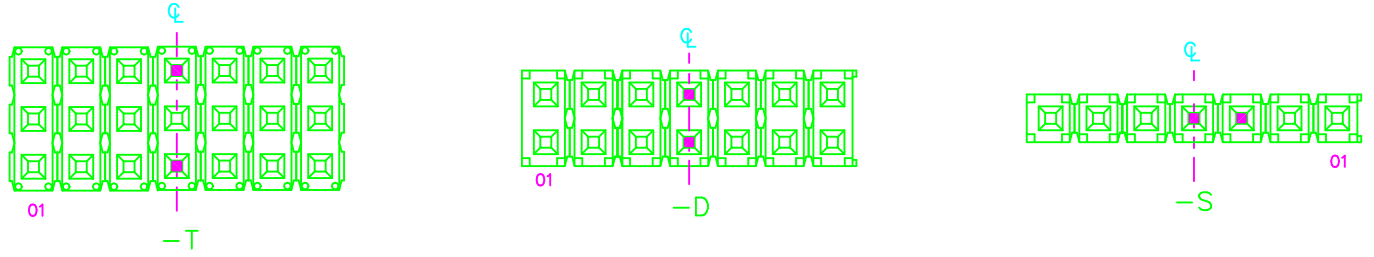
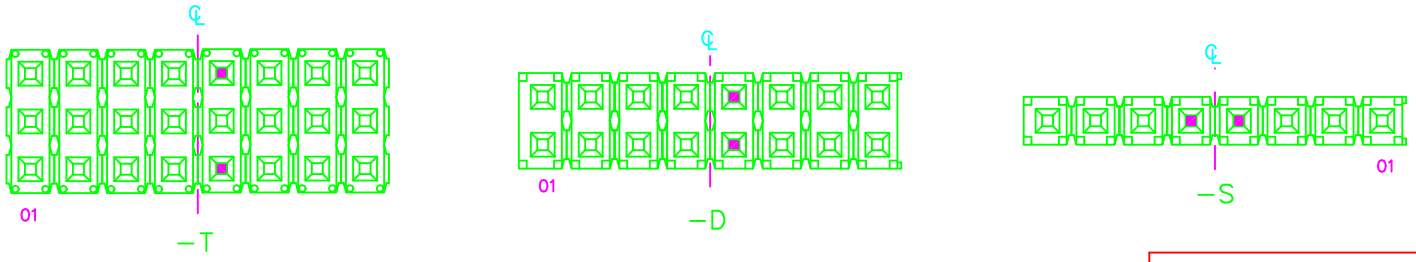


FIG. 1  
LOCKING LEAD OPTION



■ = CRIMP LOCATION  
CRIMP CENTER POSITION AND PIN CLOSEST TO PIN 1  
ODD POSITIONS



■ = CRIMP LOCATION  
TWO CENTER MOST PINS TO BE CRIMPED  
EVEN POSITIONS

**PROPRIETARY NOTE**  
THIS DOCUMENT CONTAINS INFORMATION CONFIDENTIAL AND PROPRIETARY TO SAMTEC INC. AND SHALL NOT BE REPRODUCED OR TRANSFERRED TO OTHER DOCUMENTS OR DISCLOSED TO OTHERS OR USED FOR ANY PURPOSE OTHER THAN THAT FOR WHICH IT WAS OBTAINED WITHOUT THE EXPRESSED WRITTEN CONSENT OF SAMTEC INC.

EXISPROD\ASSEMBLY\100 XW-ASM2

**samtec**

520 PARK EAST BLVD. NEW ALBANY, INDIANA 47150  
PHONE (812) 944-6733 P.O. BOX 1147  
CODE 55322

MADE BY: WILLIAMS 8-13-84

XW-XX-XX-XXX-X-XXXX-XXX-XX-XXX  
SHEET 2 OF 2