

5

4

3

2

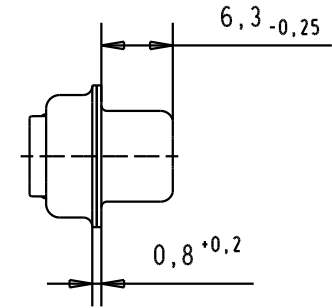
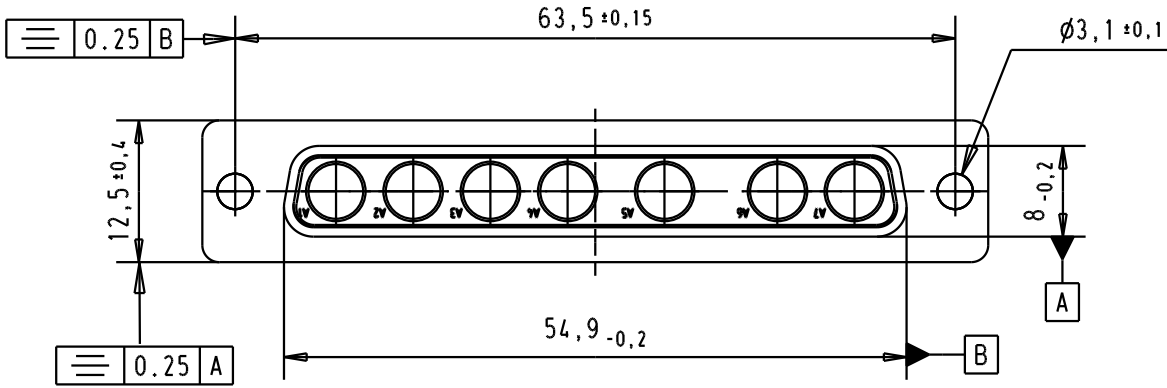
1

D

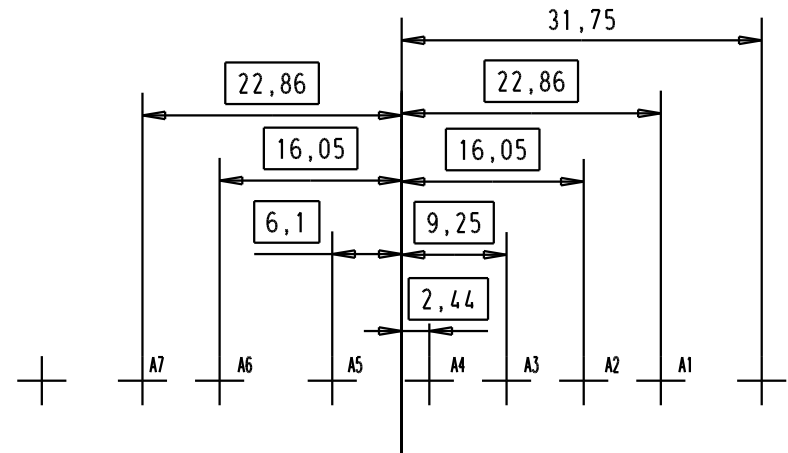
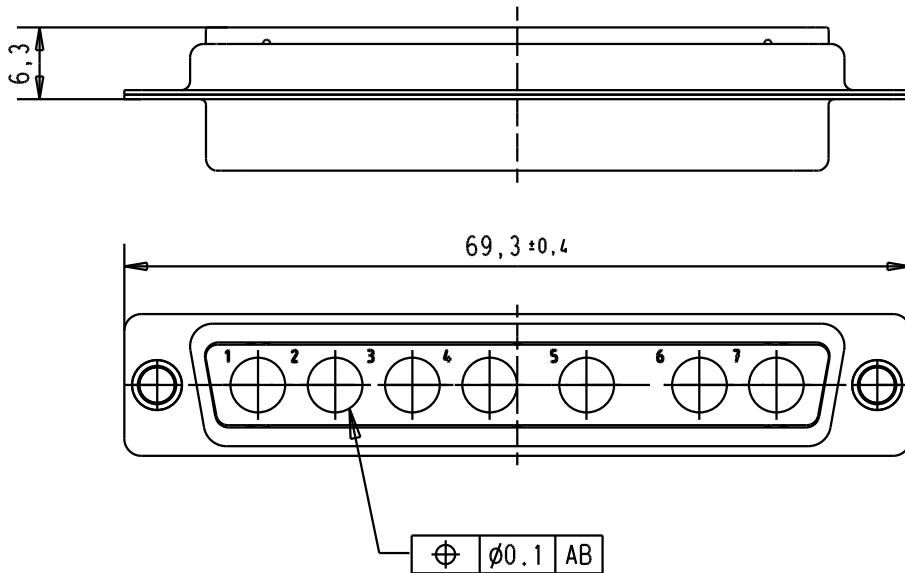
C

B

A



PCB Layout, component side



												Moßstab/ Scale
				Detail.	10/10/05	JMDR		D-Sub, female, 7W7 without contacts, tin plated shell with holes				1,5:1
				Insp.			All Dim. in mm Orig. Size DIN A 4					
				Stand.								
								TB 09 69 400 0077				Blatt/ Page 1 / 1
				Mod.	10/10/05	JMDR	HARTING EURL F-95972 Paris	Sub.				

Mouser Electronics

Authorized Distributor

Click to View Pricing, Inventory, Delivery & Lifecycle Information:

[HARTING:](#)

[09694000077](#)