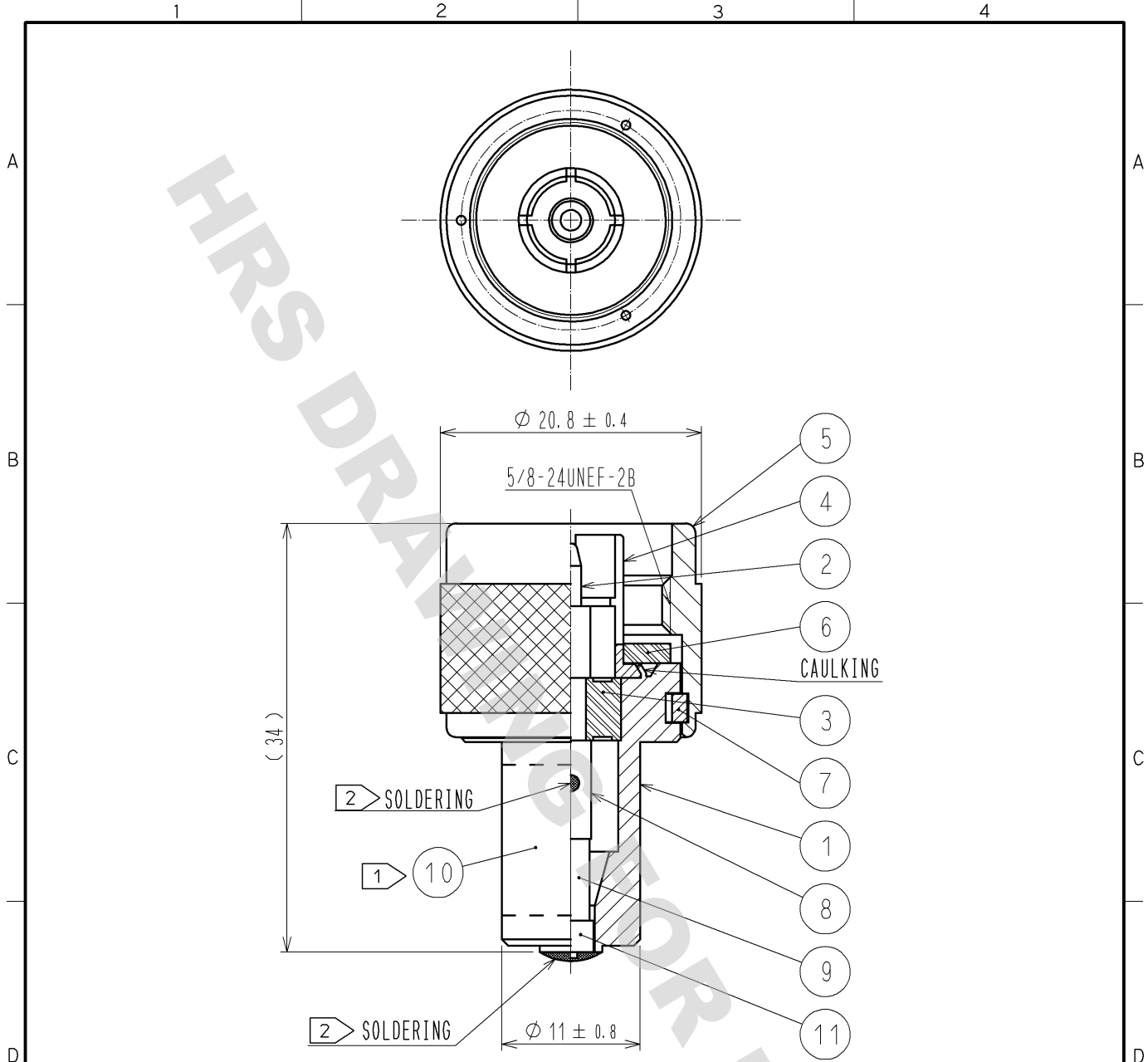


DRAWING FOR REFERENCE: This is subject to change without notice  
08/11/2012



NOTES

- 1 INDICATION OF THE LABEL
  - (1) : N-TMP-1-1(50)
  - (2) : S. NO.
  - (3) : HRS
  - (4) : MADE IN JAPAN
- 2 USE LEAD FREE SOLDER(Sn3.0Ag0.5Cu).

6	SILICONE RUBBER				
5	BRASS	NICKEL PLATING	11	BRASS	GOLD PLATING
4	PHOSPHOR BRONZE	NICKEL PLATING	10		LABEL
3	PTFE		9	RESISTANCE	50Ω
2	BRASS	GOLD PLATING	8	BRASS	GOLD PLATING
1	BRASS	NICKEL PLATING	7	PHOSPHOR BRONZE	NICKEL PLATING
NO.	MATERIAL	FINISH . REMARKS	NO.	MATERIAL	FINISH . REMARKS

UNITS mm		SCALE 2 : 1	COUNT 	DESCRIPTION OF REVISIONS	DESIGNED	CHECKED	DATE
<b>HIROSE ELECTRIC CO., LTD.</b>		APPROVED : MT. SHIBUTANI	12. 04. 17	DRAWING NO.	EDC4-180172-01		
		CHECKED : TK. SAWAGUCHI	12. 04. 16	PART NO.	N-TMP-1-1(50)		
		DESIGNED : KY. SHIMIZU	12. 04. 12	CODE NO.	CL353-0137-5-50		
		DRAWN : KY. SHIMIZU	12. 04. 12		1/1		

# Mouser Electronics

Authorized Distributor

Click to View Pricing, Inventory, Delivery & Lifecycle Information:

[Hirose Electric:](#)

[N-TMP-1-1\(50\)](#)