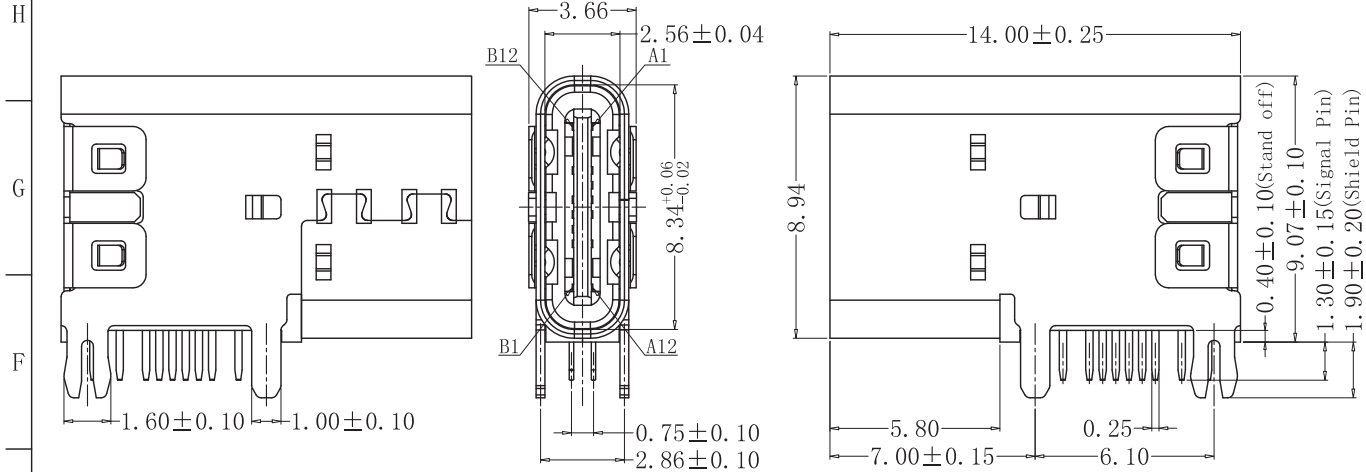


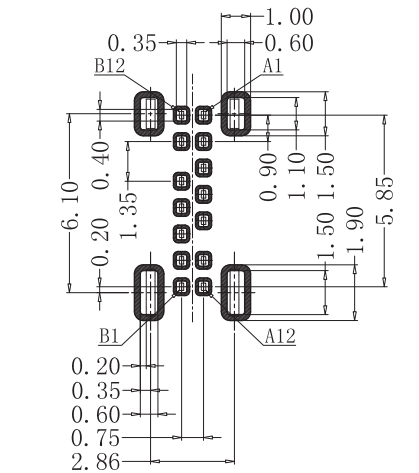
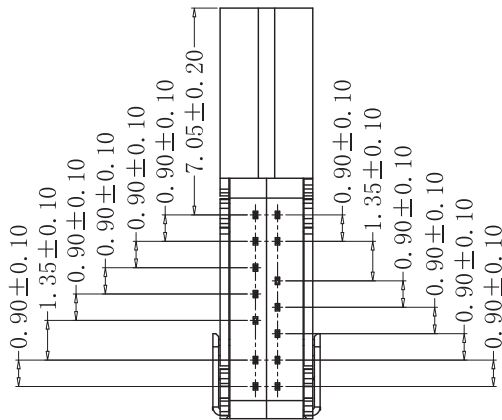
VER	MARK	PR. BY	ECR/ECN	DESCRIPTION	DATE
A				NEW RELEASE	08/07'20



SPECIFICATION:

- MATERIAL & FINISH:** SEE THE LIST;
- PLATING SPECIFICATION:**
 - CONTACTS:**
Ni 50u" MIN. UNDER PLATED OVER ALL.
Au PLATED ON THE MATING AREA OF CONTACT.
Au PLATED OR MATTE SN PLATED ON THE SOLDER AREA.
 - FRONT SHELL:** Ni 30u" MIN. UNDER PLATED OVER ALL.
 - BACK SHELL:** Ni 30u" MIN. UNDER PLATED OVER ALL.
 - MID PLATE:** CLEAR ONLY
- MECHANICAL:**
 - MATING FORCE:** 5~20N;
 - UNMATING FORCE:** 8~20N.
6~20N AFTER DURABILITY TEST;
 - DURABILITY:** 10000 CYCLES;
- ELECTRICAL:**
 - CURRENT RATING:** 3A Max;
 - VOLTAGE RATING:** 20V Max;
 - DIELECTRIC WITHSTANDING VOLTAGE:** 100VAc;
 - CONTACT RESISTANCE:** 40mΩ Ohms Max.;
 - INSULATION RESISTANCE:** 100M Ohms Min.;
- ENVIRONMENTAL:**
 - OPERATING TEMPERATURE:** -40° C~+85° C;
 - WETTING TEMPERATURE:** 265±5° C, 5±0.5s;

PIN DEFINE TABLE			
PIN	SIGNAL	PIN	SIGNAL
A12	GND	B1	GND
A11	/	B2	/
A10	/	B3	/
A9	VBUS	B4	VBUS
A8	/	B5	CC2
A7	D-	B6	D+
A6	D+	B7	D-
A5	CC1	B8	/
A4	VBUS	B9	VBUS
A3	/	B10	/
A2	/	B11	/
A1	GND	B12	GND



(TOP VIEW)
RECOMMENDED P.C.B. LAYOUT (T:1.0~1.2mm)
TOLERANCE UNSPECIFIED ±0.05mm

NO.	PART NAME	Q'TY	MATERIAL	FINISH
5	Back Shell	1	Stainless Steel, T=0.20mm	30u"Ni Min.
4	Front Shell	1	Stainless Steel, T=0.30mm	30u"Ni Min.
3	MID PLATE	1	Stainless Steel, T=0.15mm	No Plating
2	Contact	14	Copper Alloy, T=0.15mm	Au/Ni or Au/Sn/Ni-Plated
1	Housing	1	High temperature plastic	UL94 V-0, Black

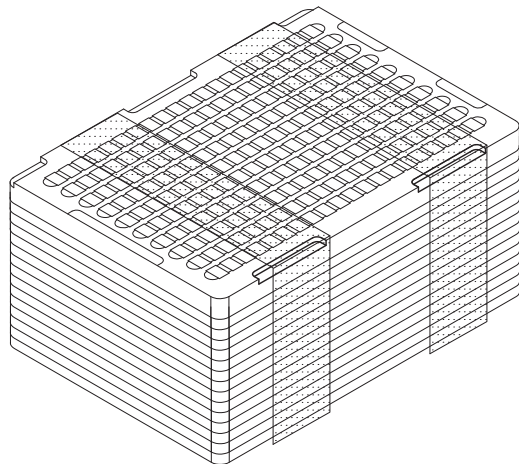
CUSTOMER		GENERAL TOLERANCES UNLESS SPECIFIED		APPROVED BY:		TITLE: TYPE-C 14P 侧插母座前直后鱼叉脚		深圳市金航标电子有限公司 www.kinghelm.com.cn	
SIZE	UNITS	X±0.50	X*±5.0°	CHECKED BY:		PART NO.:		KH-TYPE-C-CY-14P	
A4	MM[INCH]	.X±0.35	.X*±3.0°			See the List		0755-28190160	
SCALE	REV.	.XX±0.25	.XX*±2.5°	DESIGN BY:		DWG NO.:		SHEET	
1:1	1	.XXX±0.15	.XXX*±2.0°					1/2	

NO.	COLOR	端子:镀金1u" /外壳镀亮镍
1	BLACK	KH-TYPE-C-CY-14P

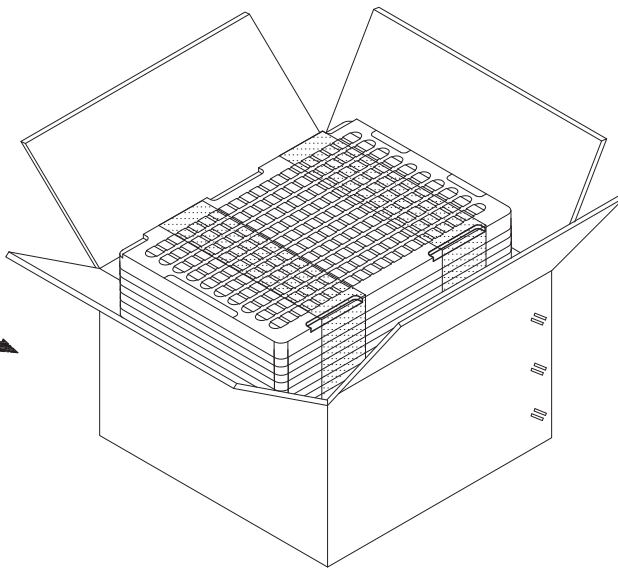
RoHs

Kinghelm®

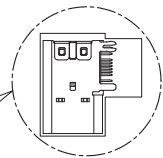
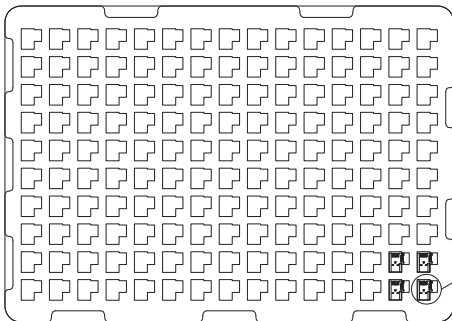
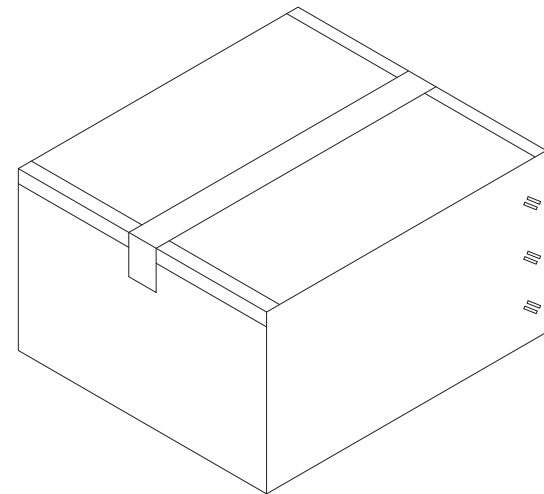
VER	MARK	PR. BY	ECR/ECN	DESCRIPTION	DATE
A				NEW RELEASE	08/07' 20



30盘/扎



2扎/箱



说明:

1. 每盘装170PCS, 30盘为1扎, 在每扎最上层放1空盘, 用PE膜缠绕好, 并贴上1PCS物料标签;
2. 将2扎包装好的产品叠放在一起装入指定纸箱内并在外箱贴上1PCS物料标签;
3. 在搬运过程中要轻拿轻放;
4. 在运输中不可堆放过多(1.8M最高), 不可重压;

				PACKAGING		GENERAL TOLERANCES UNLESS SPECIFIED		APPROVED BY:		TITLE: TYPE-C 14Pin侧插母座 前直后鱼叉脚一包装图		深圳市金航标电子有限公司 www.kinghelm.com.cn	
NO.	NAME	SPEC	Q' TY	SIZE	UNITS	X±1.0	X*±5.0°	CHECKED BY:		PART NO.: See the List		KH-TYPE-C-CY-14P 0755-28190160	
①	TYPE C Rec.		10200PCS/CARTON	A4	MM[INCH]	.X±0.50	.X*±3.5°						
②	TRAY	PET, 338*238mm	62PCS/CARTON	SCALE	REV.	.XX±0.30	.XX*±2.5°	DESIGN BY:		DWG NO.:		SHEET 2/2	
③	CARTON	CORRUGATED BOARD, K=K 515*365*160mm	1PCS/PACKAGE	1:1	1	.XXX±0.15	.XXX*±1.5°						

