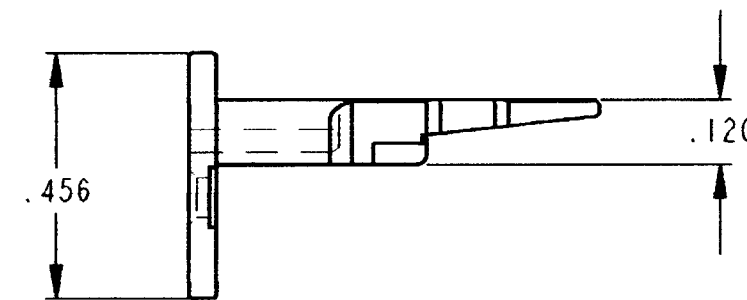
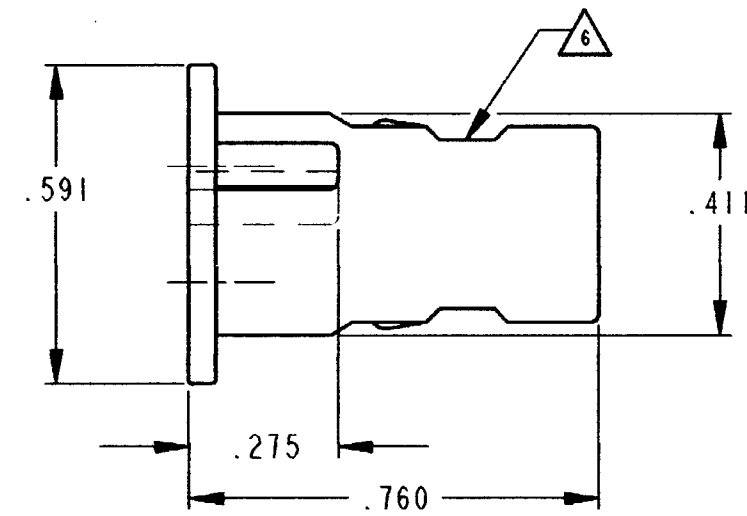
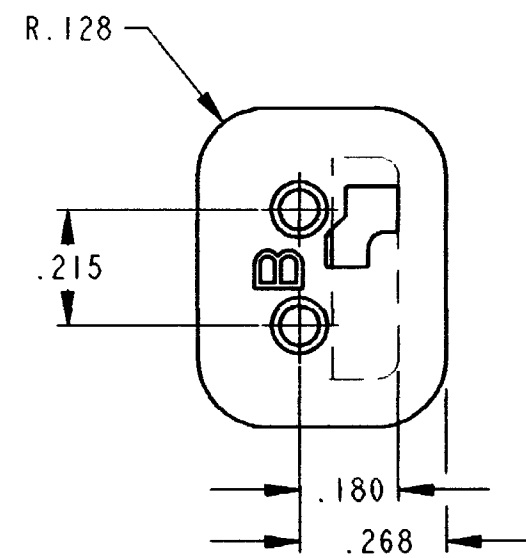


REV  
C

W2SB

REVISIONS

SYM	DESCRIPTION	DATE	APPROVED
NC	NEW RELEASE PER E.O. A14877	8/2/95	R.D.R.
A	REVISED PER E.O. P18246	8/22/03	R.D.R.
B	REVISED PER E.O. P18765	12/2/04	R.D.R.
C	REVISED PER E.O. P19635	1/5-07	RDR



- △ CUTOUT FEATURE OPTIONAL, 2 PLACES.
- 5. WARNING: THIS WEDGE ALSO MATES WITH STANDARD PART W2P (=KEYLESS)
- 4. COLOR CODE = BLACK.
- 3. CONSULT FACTORY FOR APPLICATION.
- 2. ALL DIMENSIONS ARE ±.025 [.64] UNLESS OTHERWISE SPECIFIED.

NOTES: 1. ALL DIMENSIONS ARE IN INCHES [MILLIMETERS].

SIGNATURE & DATE	
DR	V. TOMSA JUL-25-95.
CHK	<i>J. C. Gentry</i> 10/12/07
PE	<i>M. Messing</i> 9/11/07
APPD	<i>S. Bend</i> 10-10-07
SCALE	NONE WT

WEDGE LOCK  
FOR 2 WAY PLUG  
KEY ARR. -B-  
DT SERIES

ENVELOPE

EP  
MATERIAL CODE  
3850 INDUSTRIAL AVE.  
HEMET, CA 92545  
**DEUTSCH**  
INDUSTRIAL

**B** **W2SB**  
DWG SIZE CODE SHEET | OF |  
11139

# Mouser Electronics

Authorized Distributor

Click to View Pricing, Inventory, Delivery & Lifecycle Information:

[TE Connectivity:](#)

[W2SB](#)