

Pushbutton Ø 19 mm silver contact

82-5562.1000



<https://eao.com/p/82-5562.1000>

Your product:



82-5562.1000 Pushbutton Ø 19 mm silver contact

FRONT

| | |
|------------------------------|-----------|
| Front dimension: | Ø 22 mm |
| Front bezel material: | Aluminium |
| Front bezel shape: | flush |
| Front form: | round |

MOUNTING

| | |
|--------------------------|----------------|
| Mounting type: | Panel mounting |
| Mounting cut-out: | Ø 19 mm |

OPERATING-/INDICATION PART

| | |
|---------------------------|------------------|
| Lens optics: | opaque |
| Lens colour: | Nature |
| Lens illumination: | non illuminative |
| Lens material: | Aluminium |
| Lens shape: | raised |

ELECTRICAL CHARACTERISTICS

Switching voltage and switching current:

according to IEC 60947-5-1 (Silver contacts)

Service categorie AC-15

Voltage

24 VAC

35 VAC

110 VAC

220 VAC

Current

1 A

1 A (M12 version)

1 A

0.5 A

Switch rating DC service categorie DC-13 (Silver contacts)

Voltage

24 VDC

35 VDC

110 VDC

220 VDC

Current

0.7 A

0.5 A (M12 version)

0.2 A

0.1 A

according to UL 508 (Silver contacts)

$\cos\phi$ 0,75 ... 0,8

Voltage

120 VAC

240 VAC

24 VAC

Current

5 A

3 A

1 A

| | |
|----------------------------------------------------|------------------------------------------------------------|
| Contacts: | 1 C |
| Pollution degree: | 2, according to EN IEC 60947-1 |
| Rated Operational Voltage U_e: | 250 VAC |
| Electric strength: | 1500 VAC, 50 Hz 1 minute between life terminals and ground |
| Rated insulation voltage U_i: | 250 V |
| Electrical lifetime: | 50 000 cycles of operation |
| Thermal current I_{th}: | 5 A |

MECHANICAL CHARACTERISTIC

| | |
|-----------------------------|---------------------------------------|
| Contact material: | Silver |
| Tightening torque: | 0.5 ... 0.6 Nm, Screw terminal 0.1 Nm |
| Switching system: | Snap-action switching element |
| Switching action: | Momentary |
| Operating force: | 4 N ... 7 N |
| Operating Travel: | ca. 3 mm |
| Terminal: | Screw terminal |
| Weight: | 0.02 kg |
| Mechanical lifetime: | 1 Mio. cycles of operation |

AMBIENT CONDITION

| | |
|------------------------------|----------------------------------------------------------------|
| Vibration resistance: | 10 ... 500 Hz, amplitude 1.5 mm p-p according to IEC 60068-2-6 |
| Climate resistance: | |

Damp heat, 21 days according to IEC 60512-11

Shock resistance: Max. 500 m / s² as per IEC 60068-2-27

Operating temperature: - 30 °C ... + 70 °C

Storage temperature: - 40 °C ... + 80 °C

IP front protection: IP65, IP67

CERTIFICATE

Conformities: CE, 2011 / 65 / EC (RoHS), 2014 / 35 / EU (LVD)

Approbations: CB, CCC, C UL, UL

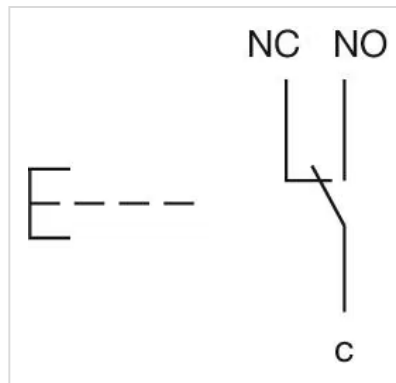
RoHS: RoHS compliant

REACH: REACH compliant

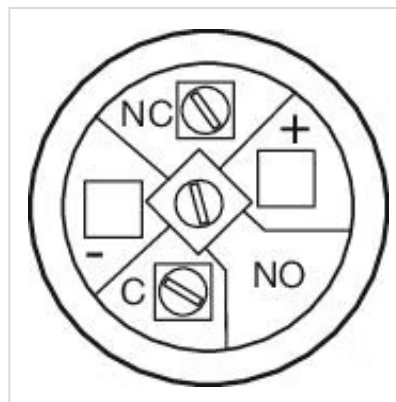
OTHER

Short Description: Pushbutton Ø 19 mm silver contact, Momentary, 1 C, Screw terminal, round, Aluminium, Nature

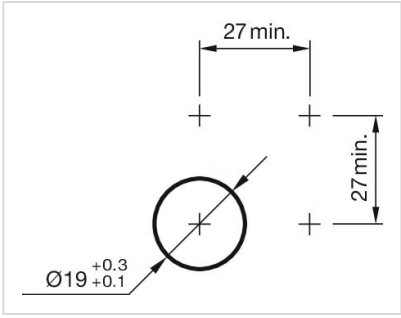
Wiring diagrams:



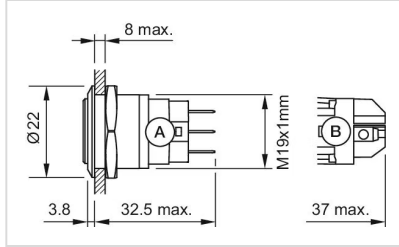
Component layouts:



Mounting cut-outs:



Dimension drawings:



A = Solder terminal
B = Screw terminal