

Actuator

45-
2134.2110.000



<https://eao.com/p/45-2134.2110.000>

Your product:



45-2134.2110.000 Actuator

FRONT

Front dimension:	Ø 29,5 mm
Front bezel colour:	Silver
Front bezel material:	Metal
Front form:	round

MOUNTING

Mounting cut-out:	Ø 22.3 mm
Design:	raised
Mounting type:	Panel mounting

OPERATING-/INDICATION PART

Lens illumination:	non illuminative
Lens colour:	Black
Lens shape:	flush
Lens material:	Plastic
Lens optics:	opaque

MECHANICAL CHARACTERISTIC

Weight:	0.038 kg
Switching action:	Maintained
Switching system:	Slow-make switching element
Mechanical lifetime:	10 Mio. cycles of operation

AMBIENT CONDITION

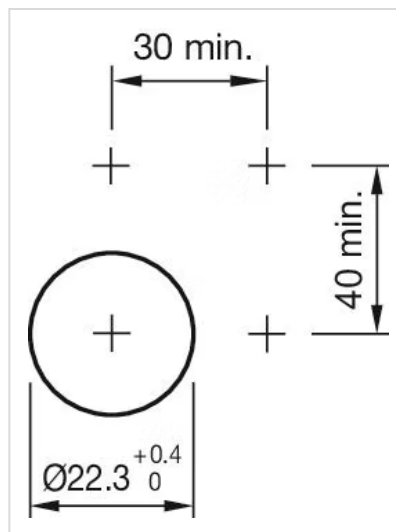
IP front protection:	IP66, IP67, IP69K
Operating temperature:	- 25 °C ... + 70 °C
Storage temperature:	- 40 °C ... + 80 °C
Climate resistance:	During operation according to IEC 60721: 3K6, 3C3, 3S2, 3M6
Shock resistance:	According to IEC 60068-2-27: Sinusoidal half-wave 50 g / 11 ms
Vibration resistance:	According to IEC 60068-2-6: 20 ... 500 Hz: 5 g

CERTIFICATE

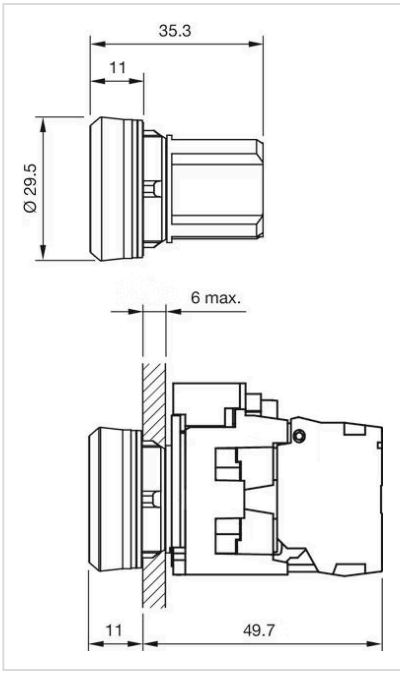
REACH:	REACH compliant
RoHS:	RoHS compliant

OTHER

Housing colour:	Silver
Housing material:	Metal
Short Description:	Actuator, Ø 22.3 mm, Ø 29,5 mm, flush, non illuminative, Black, Plastic, opaque, round, Silver, Metal, Maintained, IP66, IP67, IP69K
Hints:	Push to unlatch
Mounting cut-outs:	



Dimension drawings:



Wiring diagrams:

