

LFFB SERIES LIMITER BLOCK/LHFB INLINE HOLDER

LFFB



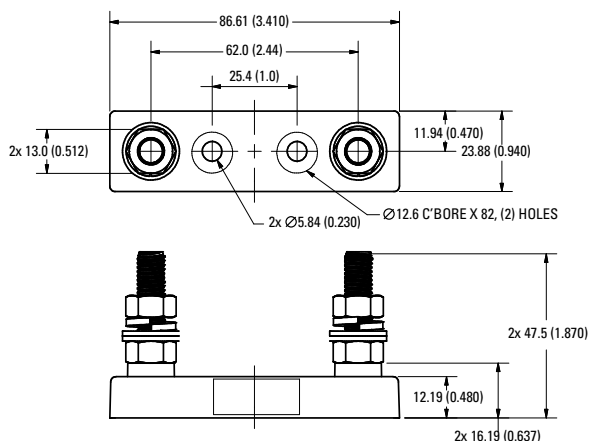
Description

The LFFB003 fuseblock is designed to accept CNN and CNL style limiter fuses. Applications include but are not limited to forklifts, golf carts and other low-voltage battery equipment. It is specifically designed for the HAZGARD™ fuse but can be used for CNN/CNL fuses as well.

Specifications

Voltage Rating: 150 VAC/VDC
Ampere Rating: 800 A
Approvals: UL Recognized (File No. E14721)
Construction: Base—Thermoset
 Studs—Steel Zinc Plated

Dimensions in mm [inches]



Ordering Information

CATALOG NUMBER	SYSTEM NUMBER
LFFB003	LFFB0003Z

Web Resources

Sample requests, downloadable CAD drawings and other technical information: www.littelfuse.com/lffb

Recommended Fuses

CNL/CNN Cable limiter fuses
 HAZGARD fuse

LHFB



Description

The Littelfuse LHFB waterproof in-line fuseholder is ideal for harsh environments. The LHFB holder features the voltage and ampere rating molded into the body, along with a wire strip gauge. It also withstands solvents and vibration.

Features/Benefits

- Waterproof in-line fuseholder for harsh environments
- One-piece molded thermoplastic body
- Bright green color offers high visibility
- Voltage and ampere rating molded into body

Specifications

Voltage Rating: 32 V
Ampere Rating: 30 A
Fuses: 1/4" to 1 1/4" fuses
Wire Size: Accepts #16 to #18 gauge wire
Operating Temperature: -20° C to 80° C

Installation Instructions

1. Thread wire through fuseholder body
2. Strip wire insulation per strip gauge
3. Crimp wire to fuse clip*
4. Pull wire through and seat fuse clip in the holder body
5. Insert desired fuse type and rating
6. Snap holder body together

*Recommended crimping tools: Thomas & Betts No. WT-111M
 Note: Wire is not supplied with the holder.

Web Resources

Sample requests, downloadable CAD drawings and other technical information: www.littelfuse.com/lhfb