

Actuator

45-
2231.4FE0.000



<https://eao.com/p/45-2231.4FE0.000>

Your product:



45-2231.4FE0.000 Actuator

FRONT

Front dimension:	Ø 38 mm
Front bezel colour:	Sand grey
Front bezel material:	Metal
Front form:	round

MOUNTING

Mounting cut-out:	Ø 30.5 mm
Design:	flush
Mounting type:	Panel mounting

OPERATING-/INDICATION PART

Lens illumination:	illuminative
Lens colour:	Red
Lens shape:	flush
Lens material:	Plastic
Lens optics:	transparent
Illumination colour:	Red

MECHANICAL CHARACTERISTIC

Weight:	0.07 kg
Switching action:	Momentary
Switching system:	Slow-make switching element

Mechanical lifetime: 3 Mio. cycles of operation

Operating frequency: Max. 3 600/h

AMBIENT CONDITION

IP front protection: IP66, IP67, IP69K

Operating temperature: – 25 °C ... + 70 °C

Storage temperature: – 40 °C ... + 80 °C

Climate resistance: During operation according to IEC 60721: 3K6, 3C3, 3S2, 3M6

Vibration resistance: According to IEC 60068-2-6: 20 ... 500 Hz: 5 g

Shock resistance: According to IEC 60068-2-27: Sinusoidal half-wave 50 g / 11 ms

CERTIFICATE

REACH: REACH compliant

RoHS: RoHS compliant

OTHER

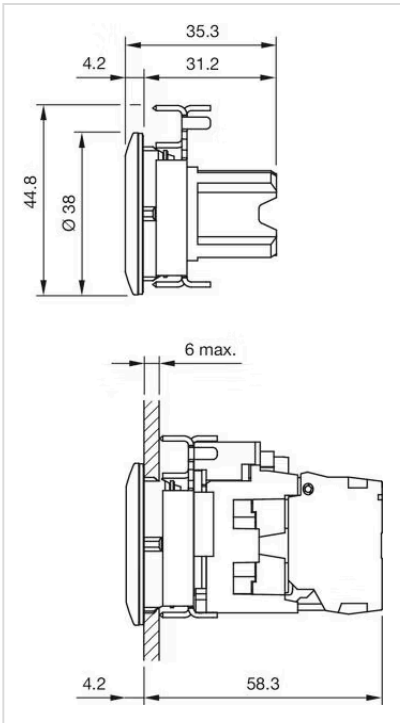
Housing colour: Silver

Housing material: Metal

Hints: Front panel thickness 1 ... 6 mm

Short Description: Actuator, Ø 30.5 mm, Ø 38 mm, flush, illuminative, Red, Plastic, transparent, round, Sand grey, Metal, Momentary, IP66, IP67, IP69K, Red

Dimension drawings:



Wiring diagrams:

