

Actuator

45-
2234.4FJ0.000



<https://eao.com/p/45-2234.4FJ0.000>

Your product:



45-2234.4FJ0.000 Actuator

FRONT

Front dimension:	Ø 38 mm
Front bezel colour:	Sand grey
Front bezel material:	Metal

MOUNTING

Design:	flush
----------------	-------

OPERATING-/INDICATION PART

Lens illumination:	illuminative
Lens colour:	Blue
Lens shape:	flush
Lens material:	Plastic
Lens optics:	transparent
Illumination colour:	Blue

MECHANICAL CHARACTERISTIC

Weight:	0.09 kg
Switching action:	Maintained
Switching system:	Slow-make switching element
Mechanical lifetime:	500 000 cycles of operation
Operating frequency:	Max. 1 800/h

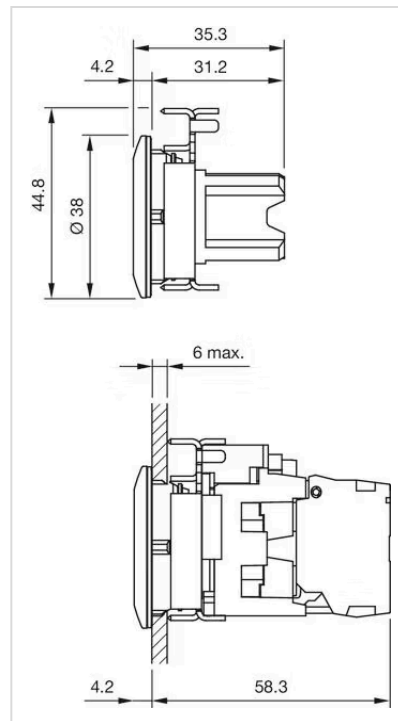
AMBIENT CONDITION

IP front protection:	IP66, IP67, IP69K
Operating temperature:	- 25 °C ... + 70 °C
Storage temperature:	- 40 °C ... + 80 °C
Vibration resistance:	According to IEC 60068-2-6: 20 ... 500 Hz: 5 g
Shock resistance:	According to IEC 60068-2-27: Sinusoidal half-wave 50 g / 11 ms
Climate resistance:	During operation according to IEC 60721: 3K6, 3C3, 3S2, 3M6

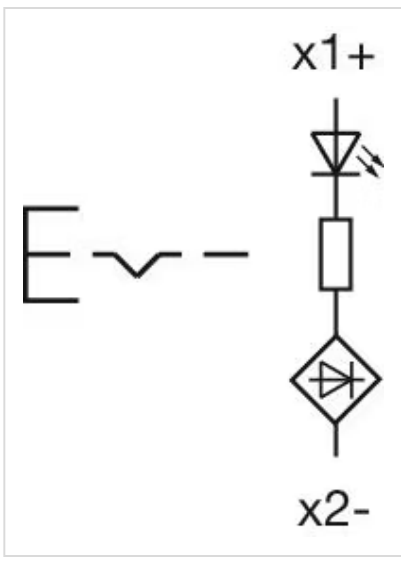
OTHER

Housing colour:	Silver
Housing material:	Metal
Hints:	Push to unlatch
Short Description:	Actuator, Ø 38 mm, flush, illuminative, Blue, Plastic, transparent, Sand grey, Metal, Maintained, IP66, IP67, IP69K, Blue

Dimension drawings:



Wiring diagrams:



Mouser Electronics

Authorized Distributor

Click to View Pricing, Inventory, Delivery & Lifecycle Information:

[EAO:](#)

[45-2234.4FJ0.000](#)