

# Actuator

45-  
2531.1910.000



<https://eao.com/p/45-2531.1910.000>

Your product:

---



## 45-2531.1910.000 Actuator

### FRONT

<b>Front dimension:</b>	Ø 40 mm
<b>Front bezel colour:</b>	Black
<b>Front bezel material:</b>	Plastic
<b>Front form:</b>	round

### MOUNTING

<b>Design:</b>	raised
<b>Mounting type:</b>	Panel mounting
<b>Mounting cut-out:</b>	Ø 22.3 mm

### OPERATING-/INDICATION PART

<b>Lens illumination:</b>	non illuminative
<b>Lens colour:</b>	Black
<b>Lens shape:</b>	mushroom-head
<b>Lens material:</b>	Plastic
<b>Lens optics:</b>	opaque

### MECHANICAL CHARACTERISTIC

<b>Weight:</b>	0.026 kg
<b>Switching action:</b>	Momentary
<b>Switching system:</b>	Slow-make switching element
<b>Mechanical lifetime:</b>	10 Mio. cycles of operation

**Operating frequency:** Max. 3 600/h

### AMBIENT CONDITION

**IP front protection:** IP66, IP67, IP69K

**Operating temperature:** – 25 °C ... + 70 °C

**Storage temperature:** – 40 °C ... + 80 °C

**Climate resistance:** During operation according to IEC 60721: 3K6, 3C3, 3S2, 3M6

**Shock resistance:** According to IEC 60068-2-27: Sinusoidal half-wave 50 g / 11 ms

**Vibration resistance:** According to IEC 60068-2-6: 20 ... 500 Hz: 5 g

### CERTIFICATE

**RoHS:** RoHS compliant

**REACH:** REACH compliant

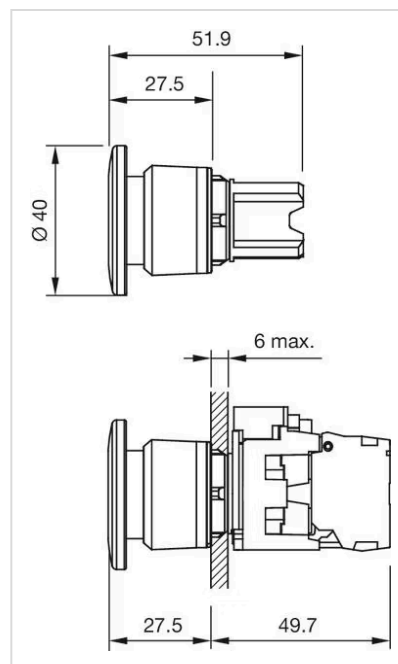
### OTHER

**Housing colour:** Black

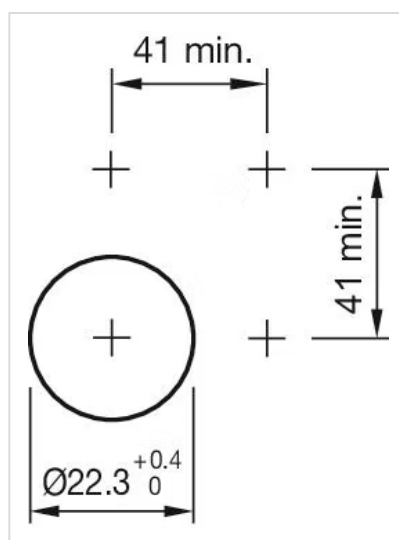
**Housing material:** Plastic

**Short Description:** Actuator, Ø 22.3 mm, Ø 40 mm, mushroom-head, non illuminative, Black, Plastic, opaque, round, Black, Plastic, Momentary, IP66, IP67, IP69K

**Dimension drawings:**



**Mounting cut-outs:**



**Wiring diagrams:**

