

# IPD W 3P2,5 F M25 GY - Panel feed-through



1088690

<https://www.phoenixcontact.com/us/products/1088690>

Please be informed that the data shown in this PDF document is generated from our online catalog. Please find the complete data in the user documentation. Our general terms of use for downloads are valid.



Panel feed-through, for connectors, product family: IPD, connection method: Push-in connection, number of positions: 2+PE, M25, Socket, 0.5 mm<sup>2</sup> ... 2.5 mm<sup>2</sup>, 500 V, 20 A, PA, light gray, coding: P

## Your advantages

- Easy distribution of power, as components are plugged directly
- Simple, time-saving wiring in the field with Push-Lock connection
- Reliable installation in harsh environments with IP66, IP68, and IP69K throughout the entire system
- Secure, tool-free locking even in particularly difficult installation situations
- Fast commissioning with preassembled cable assemblies

## Commercial data

Item number	1088690
Packing unit	1 pc
Minimum order quantity	1 pc
Sales key	BF51
Product key	BF6LAA
GTIN	4055626891057
Weight per piece (including packing)	37.2 g
Weight per piece (excluding packing)	37.2 g
Customs tariff number	85366990
Country of origin	CN

# IPD W 3P2,5 F M25 GY - Panel feed-through

1088690

<https://www.phoenixcontact.com/us/products/1088690>

## Technical data

### Product properties

Product type	Panel feed-through
Product family	IPD
Number of positions	3
Connection profile	2+PE
Position marking	L, N, PE
Number of connections per position	1
Type	for connectors
Coding	P

### Data management status

Article revision	03
------------------	----

### Insulation characteristics

Overvoltage category	III
Degree of pollution	3

## Connection data

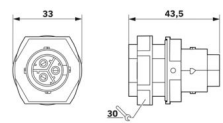
### Connection technology

Connection method On the device side	Push-in connection
--------------------------------------	--------------------

### Conductor connection

Conductor cross section flexibel	0.5 mm <sup>2</sup> ... 2.5 mm <sup>2</sup>
Conductor cross section solid	0.5 mm <sup>2</sup> ... 2.5 mm <sup>2</sup>
Conductor cross section with ferrule	0.5 mm <sup>2</sup> ... 2.5 mm <sup>2</sup>
Connection cross section AWG	20 ... 14

## Dimensions

Dimensional drawing	
Width	33 mm
Height	33 mm
Length	43.5 mm

## Electrical properties

Rated surge voltage (III/3)	6 kV
Rated current	20 A
Rated voltage (III/3)	500 V
Nominal voltage U <sub>N</sub>	500 V AC 500 V DC

# IPD W 3P2,5 F M25 GY - Panel feed-through



1088690

<https://www.phoenixcontact.com/us/products/1088690>

Nominal current $I_N$	20 A
-----------------------	------

## Mechanical properties

### Mechanical data

Insertion/withdrawal cycles	50 (IP66/IP68/IP69K)
	100 (IP66)

## Material specifications

Color (Housing)	light gray (RAL 7035)
Material Housing	PA
Material Seal	EPDM
Flammability rating according to UL 94	V0
Contact material	Cu
Contact surface material	Ni/Ag/Sn

## Cable/line

Position marking	L, N, PE
------------------	----------

## Mounting

Mounting type	M25
---------------	-----

## Environmental and real-life conditions

### Ambient conditions

Degree of protection	IP66
	IP68 (2 m / 24 h)
	IP69K
	Touch-proof when not plugged in (IP2X)
Impact strength	IK07
Ambient temperature (operation)	-30 °C ... 100 °C
Temperature when conductor connected	-5 °C ... 50 °C
Ambient temperature (storage/transport)	-30 °C ... 100 °C
Resistance to UV radiation	yes

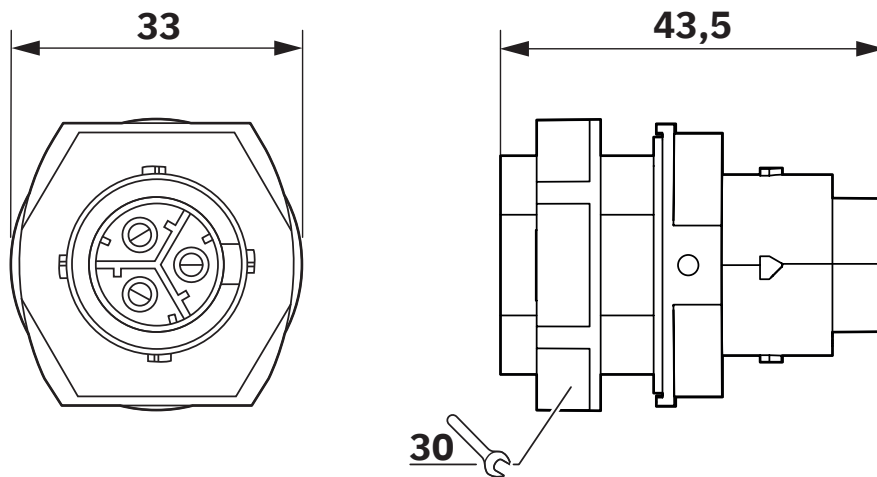
# IPD W 3P2,5 F M25 GY - Panel feed-through

1088690

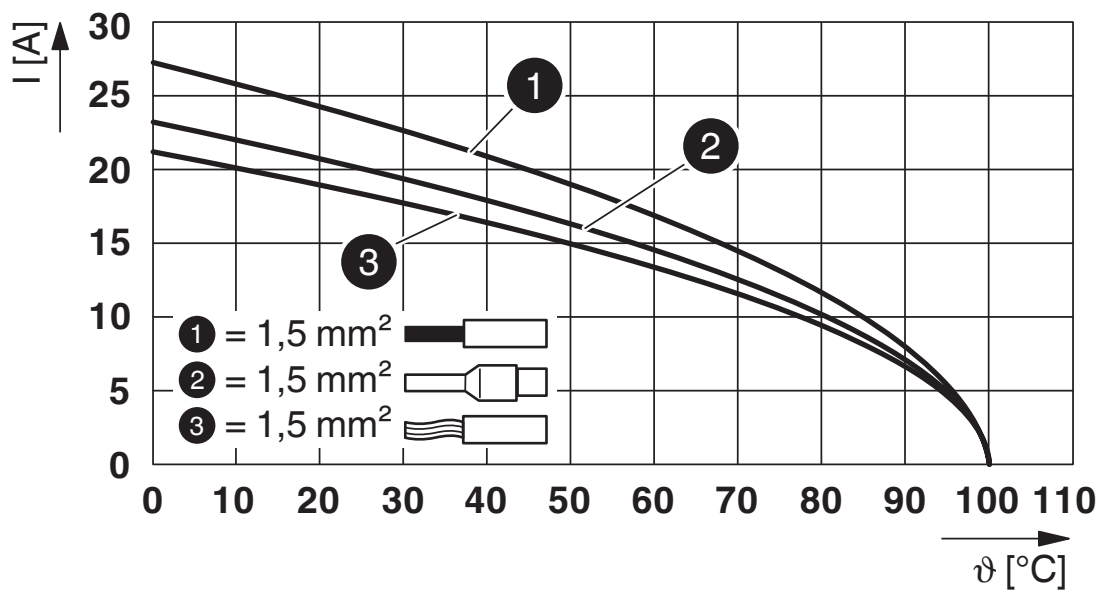
<https://www.phoenixcontact.com/us/products/1088690>

## Drawings

Dimensional drawing



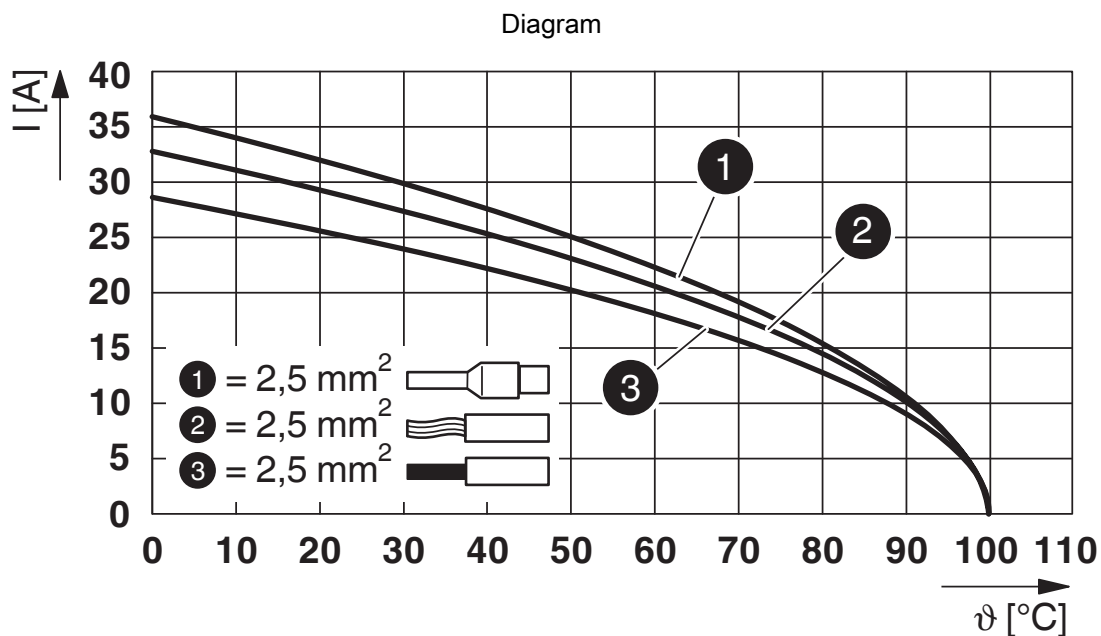
Diagram



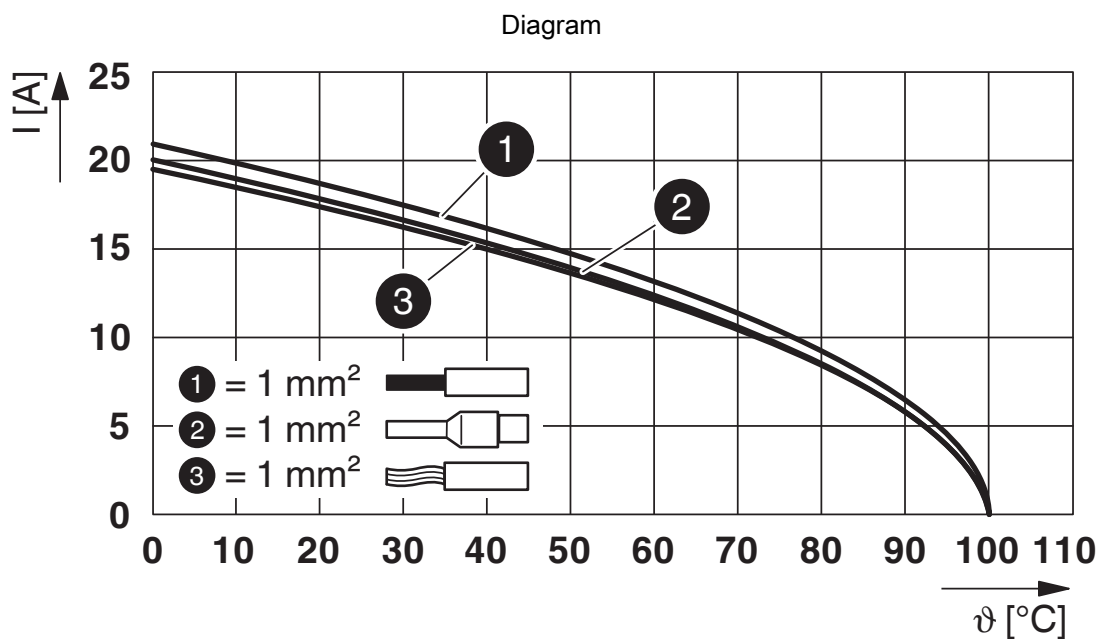
Derating diagram for 1.5 mm<sup>2</sup>

1088690

<https://www.phoenixcontact.com/us/products/1088690>



Derating diagram for 2.5 mm<sup>2</sup>



Derating diagram for 1.0 mm<sup>2</sup>

# IPD W 3P2,5 F M25 GY - Panel feed-through



1088690

<https://www.phoenixcontact.com/us/products/1088690>

## Classifications

### ECLASS

ECLASS-11.0	27440602
ECLASS-12.0	27440602
ECLASS-13.0	27440602

### ETIM

ETIM 9.0	EC002566
----------	----------

### UNSPSC

UNSPSC 21.0	39121500
-------------	----------

# IPD W 3P2,5 F M25 GY - Panel feed-through



1088690

<https://www.phoenixcontact.com/us/products/1088690>

## Environmental product compliance

### EU RoHS

Fulfills EU RoHS substance requirements	Yes, No exemptions
---	--------------------

### China RoHS

Environment friendly use period (EFUP)	EFUP-E
	No hazardous substances above the limits

### EU REACH SVHC

REACH candidate substance (CAS No.)	No substance above 0.1 wt%
-------------------------------------	----------------------------

Phoenix Contact 2024 © - all rights reserved  
<https://www.phoenixcontact.com>

Phoenix Contact USA  
586 Fulling Mill Road  
Middletown, PA 17057, United States  
(+717) 944-1300  
[info@phoenixcon.com](mailto:info@phoenixcon.com)