

Actuator

45-
2530.2920.000



<https://eao.com/p/45-2530.2920.000>

Your product:



45-2530.2920.000 Actuator

FRONT

Front form: round

Front dimension: Ø 40 mm

Front bezel colour: Silver

Front bezel material: Metal

MOUNTING

Design: raised

Mounting cut-out: Ø 22.3 mm

Mounting type: Panel mounting

OPERATING-/INDICATION PART

Lens illumination: non illuminative

Lens colour: Red

Lens shape: mushroom-head

Lens material: Plastic

Lens optics: opaque

MECHANICAL CHARACTERISTIC

Weight: 0.063 kg

Switching action: Maintained

Switching system: Slow-make switching element

Release type: Pull unlock

Mechanical lifetime: 500 000 cycles of operation

Operating frequency: Max. 1 800/h

AMBIENT CONDITION

IP front protection: IP66, IP67, IP69K

Operating temperature: - 25 °C ... + 70 °C

Storage temperature: - 40 °C ... + 80 °C

Climate resistance: During operation according to IEC 60721: 3K6, 3C3, 3S2, 3M6

Shock resistance: According to IEC 60068-2-27: Sinusoidal half-wave 50 g / 11 ms

Vibration resistance: According to IEC 60068-2-6: 20 ... 500 Hz: 5 g

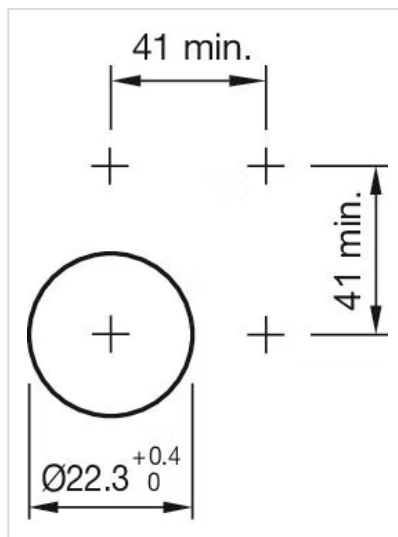
OTHER

Housing colour: Silver

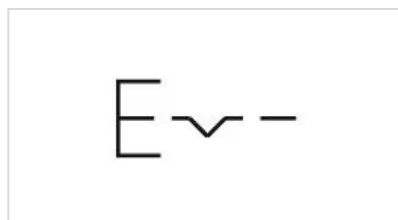
Housing material: Metal

Short Description: Actuator, Ø 22.3 mm, Ø 40 mm, mushroom-head, non illuminative, Red, Plastic, opaque, round, Silver, Metal, Maintained, IP66, IP67, IP69K, Pull unlock

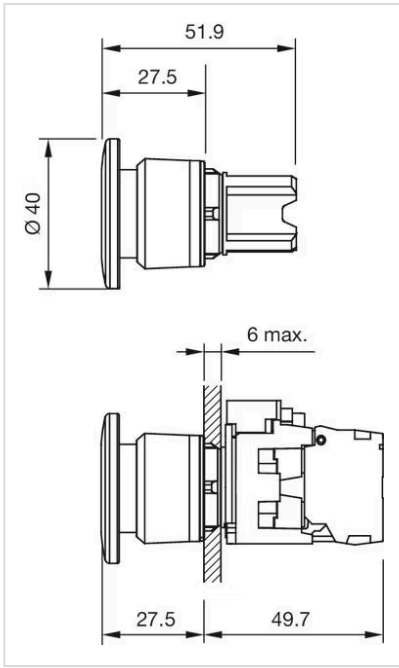
Mounting cut-outs:



Wiring diagrams:



Dimension drawings:



Mouser Electronics

Authorized Distributor

Click to View Pricing, Inventory, Delivery & Lifecycle Information:

[EAO:](#)

[45-2530.2920.000](#)