

# Actuator

45-  
2231.12K0.000



<https://eao.com/p/45-2231.12K0.000>

Your product:

---



## 45-2231.12K0.000 Actuator

### FRONT

<b>Front dimension:</b>	Ø 29,5 mm
<b>Front bezel colour:</b>	Black
<b>Front bezel material:</b>	Plastic
<b>Front form:</b>	round

### MOUNTING

<b>Design:</b>	raised
<b>Mounting type:</b>	Panel mounting
<b>Mounting cut-out:</b>	Ø 22.3 mm

### OPERATING-/INDICATION PART

<b>Lens illumination:</b>	illuminative
<b>Lens colour:</b>	Colourless
<b>Lens shape:</b>	flush
<b>Lens material:</b>	Plastic
<b>Lens optics:</b>	transparent

### MECHANICAL CHARACTERISTIC

<b>Weight:</b>	0.019 kg
<b>Switching action:</b>	Momentary
<b>Switching system:</b>	Slow-make switching element
<b>Mechanical lifetime:</b>	3 Mio. cycles of operation

**Operating frequency:** Max. 3 600/h

## AMBIENT CONDITION

**IP front protection:** IP66, IP67, IP69K

**Operating temperature:** – 25 °C ... + 70 °C

**Storage temperature:** – 40 °C ... + 80 °C

**Climate resistance:** During operation according to IEC 60721: 3K6, 3C3, 3S2, 3M6

**Shock resistance:** According to IEC 60068-2-27: Sinusoidal half-wave 50 g / 11 ms

**Vibration resistance:** According to IEC 60068-2-6: 20 ... 500 Hz: 5 g

## CERTIFICATE

**REACH:** REACH compliant

**RoHS:** RoHS compliant

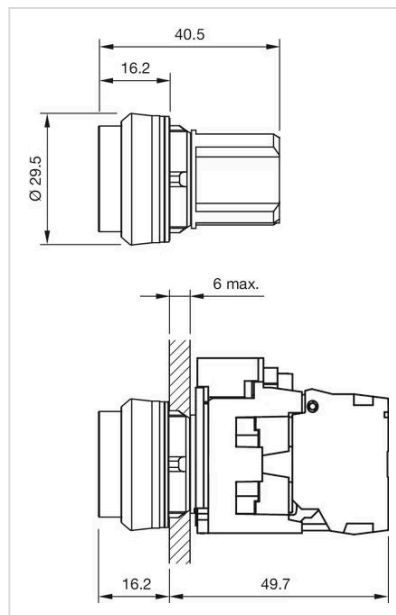
## OTHER

**Housing colour:** Black

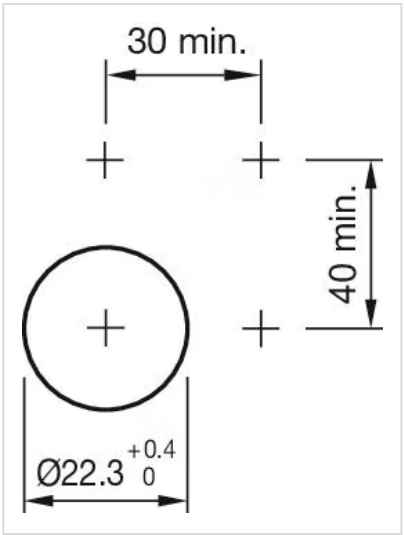
**Housing material:** Plastic

**Short Description:** Actuator, Ø 22.3 mm, Ø 29,5 mm, flush, illuminative, Colourless, Plastic, transparent, round, Black, Plastic, Momentary, IP66, IP67, IP69K

**Dimension drawings:**



**Mounting cut-outs:**



Wiring diagrams:

