

Actuator

45-
2131.1210.000



<https://eao.com/p/45-2131.1210.000>

Your product:



45-2131.1210.000 Actuator

FRONT

Front dimension:	Ø 29,5 mm
Front bezel colour:	Black
Front bezel material:	Plastic
Front form:	round

MOUNTING

Design:	raised
Mounting cut-out:	Ø 22.3 mm
Mounting type:	Panel mounting

OPERATING-/INDICATION PART

Lens illumination:	non illuminative
Lens colour:	Black
Lens shape:	flush
Lens material:	Plastic
Lens optics:	opaque

MECHANICAL CHARACTERISTIC

Weight:	0.019 kg
Switching action:	Momentary
Switching system:	Slow-make switching element
Mechanical lifetime:	500 000 cycles of operation

Operating frequency: Max. 3 600/h

AMBIENT CONDITION

IP front protection: IP66, IP67, IP69K

Operating temperature: – 25 °C ... + 70 °C

Storage temperature: – 40 °C ... + 80 °C

Vibration resistance: According to IEC 60068-2-6: 20 ... 500 Hz: 5 g

Climate resistance: During operation according to IEC 60721: 3K6, 3C3, 3S2, 3M6

Shock resistance: According to IEC 60068-2-27: Sinusoidal half-wave 50 g / 11 ms

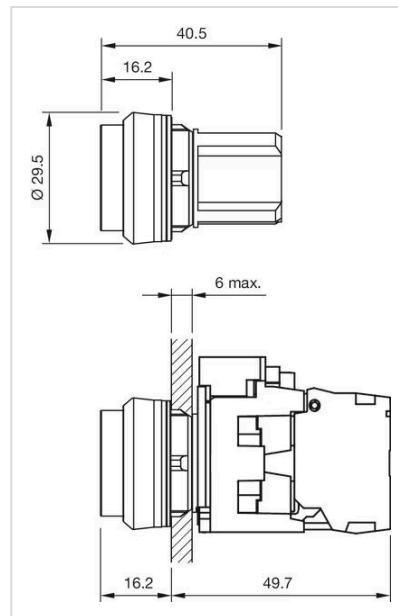
OTHER

Housing colour: Black

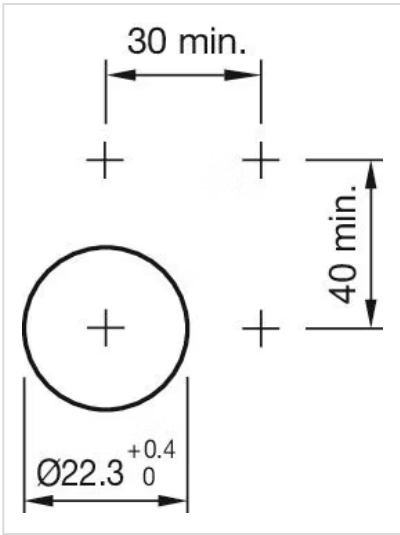
Housing material: Plastic

Short Description: Actuator, Ø 22.3 mm, Ø 29,5 mm, flush, non illuminative, Black, Plastic, opaque, round, Black, Plastic, Momentary, IP66, IP67, IP69K

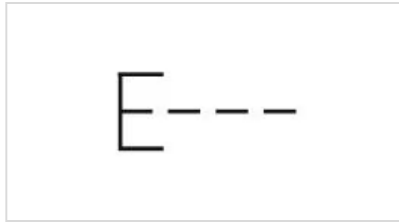
Dimension drawings:



Mounting cut-outs:



Wiring diagrams:



Mouser Electronics

Authorized Distributor

Click to View Pricing, Inventory, Delivery & Lifecycle Information:

[EAO:](#)

[45-2131.1210.000](#)