

Actuator

45-
2234.11K0.000



<https://eao.com/p/45-2234.11K0.000>

Your product:



45-2234.11K0.000 Actuator

FRONT

Front form:	round
Front dimension:	Ø 29,5 mm
Front bezel colour:	Black
Front bezel material:	Plastic

MOUNTING

Mounting type:	Panel mounting
Design:	raised
Mounting cut-out:	Ø 22.3 mm

OPERATING-/INDICATION PART

Lens illumination:	illuminative
Lens colour:	Colourless
Lens shape:	flush
Lens material:	Plastic
Lens optics:	transparent
Illumination colour:	Colourless

MECHANICAL CHARACTERISTIC

Weight:	0.017 kg
Switching action:	Maintained
Switching system:	Slow-make switching element

Mechanical lifetime: 500 000 cycles of operation

Operating frequency: Max. 1 800/h

AMBIENT CONDITION

IP front protection: IP66, IP67, IP69K

Operating temperature: - 25 °C ... + 70 °C

Storage temperature: - 40 °C ... + 80 °C

Climate resistance: During operation according to IEC 60721: 3K6, 3C3, 3S2, 3M6

Shock resistance: According to IEC 60068-2-27: Sinusoidal half-wave 50 g / 11 ms

Vibration resistance: According to IEC 60068-2-6: 20 ... 500 Hz: 5 g

OTHER

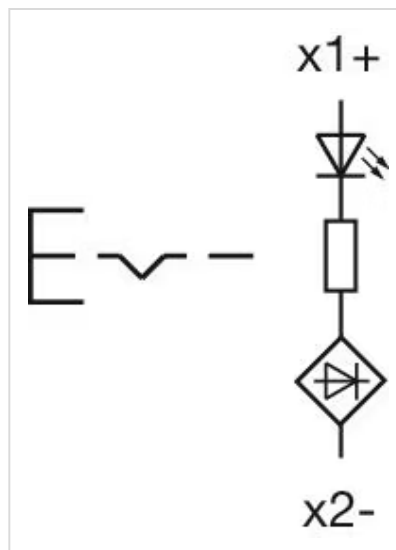
Housing colour: Black

Housing material: Plastic

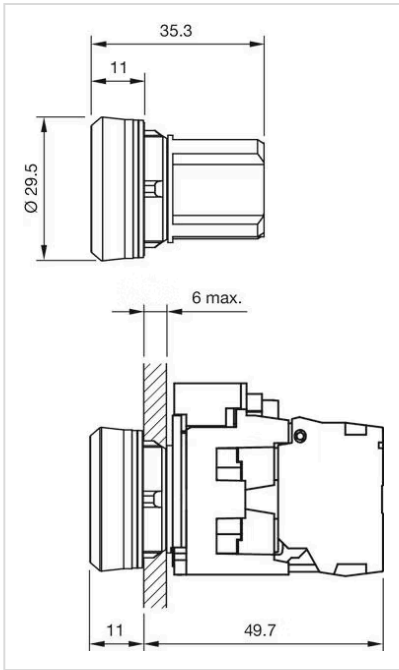
Hints: Push to unlatch

Short Description: Actuator, Ø 22.3 mm, Ø 29,5 mm, flush, illuminative, Colourless, Plastic, transparent, round, Black, Plastic, Maintained, IP66, IP67, IP69K, Colourless

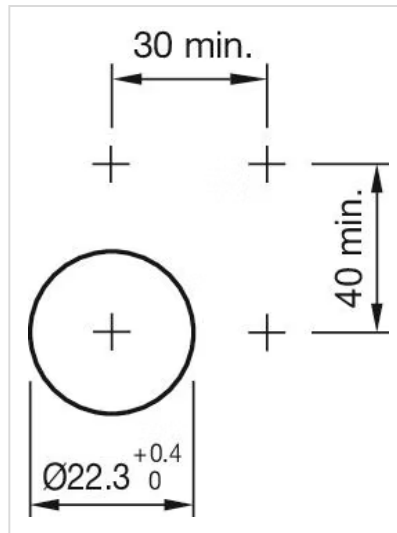
Wiring diagrams:



Dimension drawings:



Mounting cut-outs:



Mouser Electronics

Authorized Distributor

Click to View Pricing, Inventory, Delivery & Lifecycle Information:

[EAO:](#)

[45-2234.11K0.000](#)