

Actuator

45-
2531.1A20.000



<https://eao.com/p/45-2531.1A20.000>

Your product:



45-2531.1A20.000 Actuator

FRONT

Front dimension:	Ø 60 mm
Front bezel colour:	Black
Front bezel material:	Plastic
Front form:	round

MOUNTING

Design:	raised
Mounting cut-out:	Ø 22.3 mm
Mounting type:	Panel mounting

OPERATING-/INDICATION PART

Lens illumination:	non illuminative
Lens colour:	Red
Lens shape:	mushroom-head
Lens material:	Plastic
Lens optics:	opaque

MECHANICAL CHARACTERISTIC

Weight:	0.033 kg
Switching action:	Momentary
Switching system:	Slow-make switching element
Mechanical lifetime:	10 Mio. cycles of operation

Operating frequency: Max. 3 600/h

AMBIENT CONDITION

IP front protection: IP66, IP67, IP69K

Operating temperature: - 25 °C ... + 70 °C

Storage temperature: - 40 °C ... + 80 °C

Climate resistance: During operation according to IEC 60721: 3K6, 3C3, 3S2, 3M6

Shock resistance: According to IEC 60068-2-27: Sinusoidal half-wave 50 g / 11 ms

Vibration resistance: According to IEC 60068-2-6: 20 ... 500 Hz: 5 g

CERTIFICATE

RoHS: RoHS compliant

REACH: REACH compliant

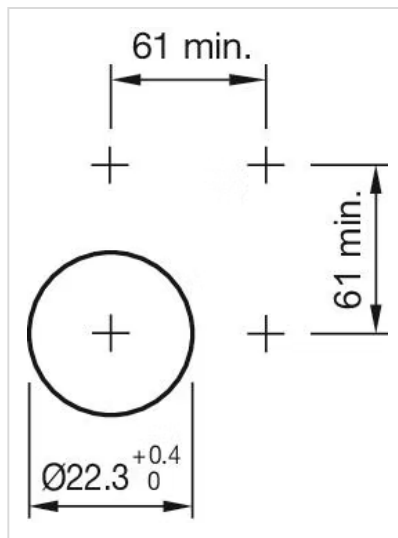
OTHER

Housing colour: Black

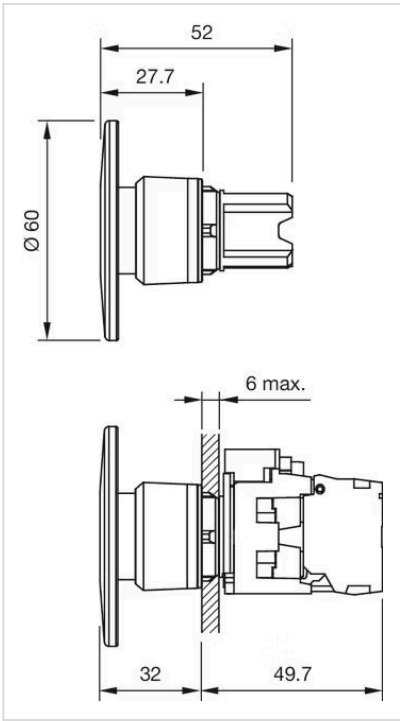
Housing material: Plastic

Short Description: Actuator, Ø 22.3 mm, Ø 60 mm, mushroom-head, non illuminative, Red, Plastic, opaque, round, Black, Plastic, Momentary, IP66, IP67, IP69K

Mounting cut-outs:



Dimension drawings:



Wiring diagrams:

