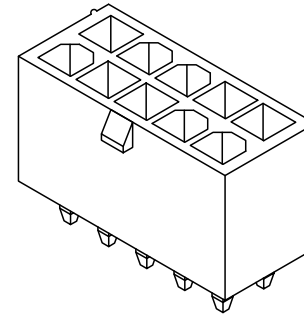
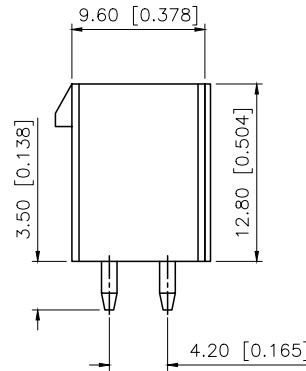
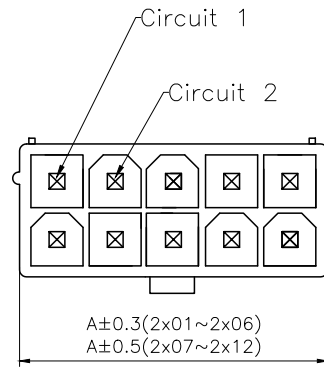


REVISIONS					
REV.	ECN NO.	LOCATION	DESCRIPTION	DATE	DESIGN
A1	N/A		图框升级整理图面	2024.08.06	阿树



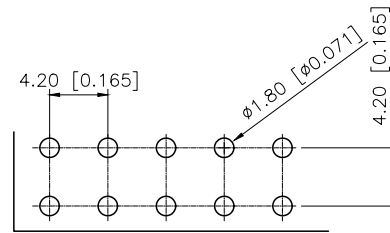
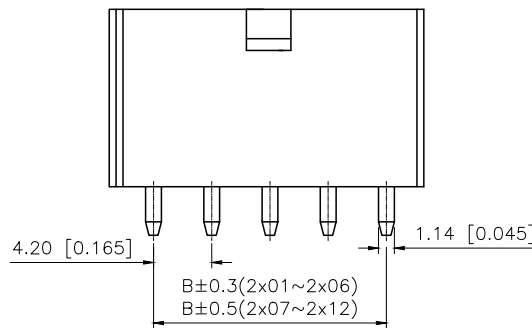
■SPECIFICATIONS

- Voltage rating:600V AC/DC
- Current rating:9A AC/DC
- Withstanding Voltage:1500V AC/minute
- Temperature range:-45°C+125°C
- Insulation resistance:≥1000MΩ
- Contact resistance:≤10mΩ
- After environmental testing:≤20mΩ

PART NO.:

X9357 W V-2xXX-N2 SN  
① ② ③ ④ ⑤ ⑥

- ① Series No
- ② Category:W-Wafer
- ③ Welding Board Angle:V-Straight 180°
- ④ Row No-Pin No: 2xXX-2x01P~2x12P
- ⑤ Material: NO-PA66 94V-0:N2-PA66 94V-2
- ⑥ Plating Category: SN-Bright Tin Plating  
V01-Plating Gold Flash



Recommended P.C.B Layout

Poles	Dimensions(mm)		Poles	Dimensions(mm)	
	A	B		A	B
2x01	5.40	—	2x07	30.60	25.20
2x02	9.60	4.20	2x08	34.80	29.40
2x03	13.80	8.40	2x09	39.00	33.60
2x04	18.00	12.60	2x10	43.20	37.80
2x05	22.20	16.80	2x11	47.40	42.00
2x06	26.40	21.00	2x12	51.60	46.20

X9357WV-2xXX-N2SN	PA66 UL94V-2	Brass	X9357HM
PART NO	Material	Material(Pin)	Suitable XKB Housing

ANGULAR	±5°
X.	±0.40
X.x	±0.30
X.xx	±0.20
X.xxx	±0.15
UNSPECIFIED TOLERANCES	



DESIGN	阿树	VIEW:		MODEL TYPE:	4.20 mm Crimp Style Connectors
CHECKED		UNIT:	mm/in	PART NO.:	X9357WV-2xXX-N2SN
APPROVED		SIZE:	A4	DWG NO.:	

XKB INDUSTRIAL PRECISION CO.,LIMITED

SCALE	PAGE	REVISION
N/A	1/1	A1