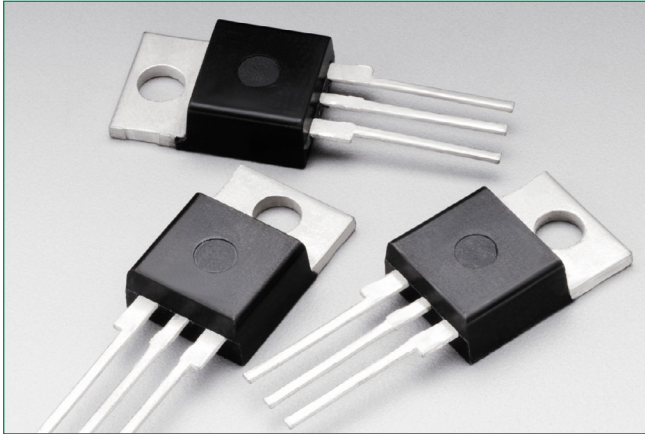


MAC228A

Sensitive Gate Triacs – 400V - 800V



Description

Designed primarily for industrial and consumer applications for full-wave control of AC loads such as appliance controls, heater controls, motor controls, and other power switching applications.

Features

- Sensitive Gate Triggering in 3 Modes for AC Triggering on Sinking Current Sources
- Four Mode Triggering for Drive Circuits that Source Current
- All Diffused and Glass-Passivated Junctions for Parameter Uniformity and Stability
- Small, Rugged, Thermowatt Construction for Low Thermal Resistance and High Heat Dissipation
- Center Gate Geometry for Uniform Current Spreading
- These Devices are Pb-Free and are RoHS Compliant

Additional Information



Resources

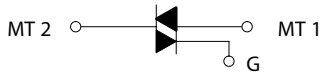


Accessories

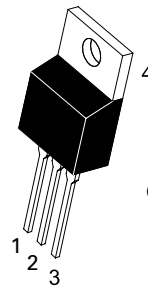


Samples

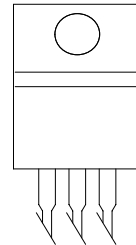
Functional Diagram



Pin Out



**TO-220AB
CASE 221A
STYLE 4**



MAC228A

Sensitive Gate Triacs – 400V - 800V

Maximum Ratings ($T_J = 25^\circ\text{C}$ unless otherwise noted)

| Rating | Symbol | Value | Unit |
|---|-------------|-------------|--------------------|
| Peak Repetitive Off-State Voltage (Note 1) ($T_J = -40$ to 110°C , Sine Wave, 50 to 60 Hz, Gate Open) | MAC228A4 | 200 | V |
| | MAC228A6 | 400 | |
| | MAC228A8 | 600 | |
| | MAC228A10 | 800 | |
| On-State RMS Current ($T_C = 80^\circ\text{C}$) Full Cycle Sine Wave, 50 to 60 Hz | I_T (RMS) | 8.0 | A |
| Peak Non-Repetitive Surge Current (One Full Cycle Sine Wave, 60 Hz, $T_J = 110^\circ\text{C}$) | I_{TSM} | 80 | A |
| Circuit Fusing Consideration ($t = 8.3$ ms) | I^2t | 26 | A ² sec |
| Peak Gate Current, ($t \leq 2$ μs , $T_C = 80^\circ\text{C}$) | I_{GM} | ± 2.0 | A |
| Peak Gate Voltage, ($t \leq 2$ μs , $T_C = 80^\circ\text{C}$) | V_{GM} | ± 10 | V |
| Peak Gate Power ($t \leq 2$ μs , $T_C = 80^\circ\text{C}$) | P_{GM} | 20 | W |
| Average Gate Power ($t \leq 8.3$ ms, $T_C = 80^\circ\text{C}$) | $P_{G(AV)}$ | 0.5 | W |
| Operating Junction Temperature Range | T_J | -40 to +110 | $^\circ\text{C}$ |
| Storage Temperature Range | T_{stg} | -40 to +150 | $^\circ\text{C}$ |
| Mounting Torque | – | 8.0 | in lb |

Maximum ratings are those values beyond which device damage can occur. Maximum ratings applied to the device are individual stress limit values (not normal operating conditions) and are not valid simultaneously. If these limits are exceeded, device functional operation is not implied, damage may occur and reliability may be affected.

1. V_{DRM} and V_{RRM} for all types can be applied on a continuous basis. Ratings apply for zero or negative gate voltage; however, positive gate voltage shall not be applied concurrent with negative potential on the anode. Blocking voltages shall not be tested with a constant current source such that the voltage ratings of the devices are exceeded.

Thermal Characteristics

| Rating | Symbol | Value | Unit |
|--|-----------------|-------|---------------------------|
| Thermal Resistance, Junction-to-Case (AC) Junction-to-Ambient | $R_{\theta JC}$ | 2.0 | $^\circ\text{C}/\text{W}$ |
| | $R_{\theta JA}$ | 62.5 | |
| Maximum Lead Temperature for Soldering Purposes, 1/8" from case for 10 seconds | T_L | 260 | $^\circ\text{C}$ |

Electrical Characteristics - OFF ($T_J = 25^\circ\text{C}$ unless otherwise noted ; Electricals apply in both directions)

| Characteristic | Symbol | Min | Typ | Max | Unit |
|--|------------------------|-----|-----|-----|---------------|
| Peak Repetitive Blocking Current ($V_D = V_{DRM} = V_{RRM}$; Gate Open) | I_{DRM} I_{RRM} | - | - | 10 | μA |
| | | | | 2.0 | mA |

Electrical Characteristics - ON ($T_J = 25^\circ\text{C}$ unless otherwise noted; Electricals apply in both directions)

| Characteristic | Symbol | Min | Typ | Max | Unit |
|---|----------|-----|-----|-----|---------------|
| Peak On-State Voltage ($I_{TM} = \pm 11$ A Peak, Pulse Width ≤ 2 ms, Duty Cycle $\leq 2\%$) | V_{TM} | – | – | 1.8 | V |
| Gate Trigger Current (Continuous dc) ($V_D = 12$ V, $R_L = 100$ Ω) | I_{GT} | – | – | 5.0 | mA |
| | | | | 5.0 | |
| | | | | 5.0 | |
| | | | | 10 | |
| Gate Trigger Voltage (Continuous dc) ($V_D = 12$ V, $R_L = 100$ Ω) | V_{GT} | – | – | 2.0 | V |
| | | | | 2.0 | |
| | | | | 2.0 | |
| | | | | 2.5 | |
| Gate Non-Trigger Voltage (Continuous DC), ($V_D = 12$ V, $T_C = 110^\circ\text{C}$, $R_L = 100$ Ω) All Four Quadrants | V_{GD} | 0.2 | – | – | V |
| Holding Current ($V_D = 12$ V, Gate Open, Initiating Current = ± 200 mA) | I_H | – | – | 15 | mA |
| Gate-Controlled Turn-On Time, ($V_D = \text{Rated } V_{DRM}$, $I_{TM} = 16$ A Peak, $I_G = 30$ mA) | t_{gt} | – | 1.5 | – | μs |

MAC228A

Sensitive Gate Triacs – 400V - 800V

Dynamic Characteristics

| Characteristic | Symbol | Min | Typ | Max | Unit |
|---|---------------|-----|-----|-----|------------------------|
| Critical Rate of Rise of Commutation Voltage ($V_D = \text{Rated } V_{DRM}$, $I_{TM} = 11.3 \text{ A}$, Commutating $di/dt = 4.1 \text{ A/ms}$, Gate Unenergized, $T_C = 80^\circ\text{C}$) | $di/dt_{(c)}$ | – | 5.0 | – | $\text{V}/\mu\text{s}$ |
| Critical Rate of Rise of Off-State Voltage ($V_D = \text{Rated } V_{DRM}$, Exponential Waveform, Gate Open, $T_C = 110^\circ\text{C}$) | dv/dt | – | 25 | – | $\text{V}/\mu\text{s}$ |

Product parametric performance is indicated in the Electrical Characteristics for the listed test conditions, unless otherwise noted. Product performance may not be indicated by the Electrical Characteristics if operated under different conditions.

Voltage Current Characteristic of SCR

| Symbol | Parameter |
|-----------|---|
| V_{DRM} | Peak Repetitive Forward Off State Voltage |
| I_{DRM} | Peak Forward Blocking Current |
| V_{RRM} | Peak Repetitive Reverse Off State Voltage |
| I_{RRM} | Peak Reverse Blocking Current |
| V_{TM} | Maximum On State Voltage |
| I_H | Holding Current |

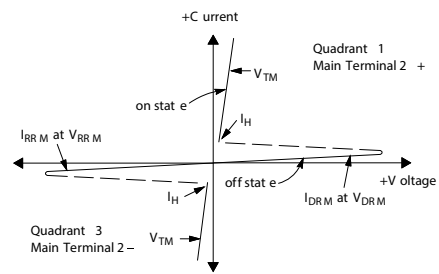
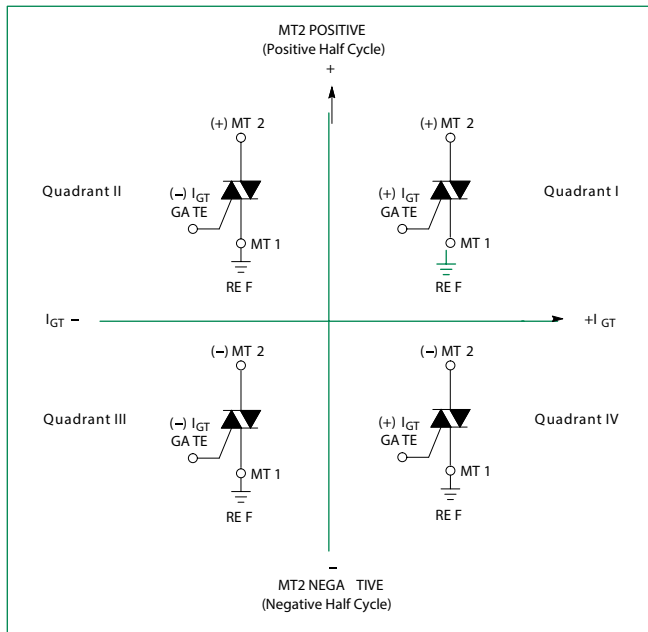


Figure 1. Current Derating

Quadrant Definitions for a Triac



All polarities are referenced to MT1. With in-phase signals (using standard AC lines) quadrants I and III are used

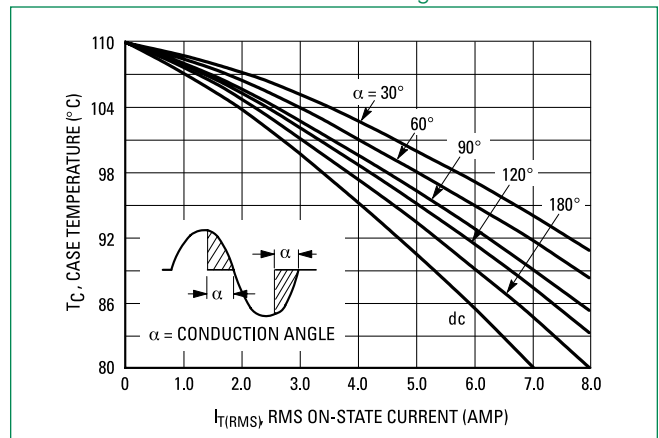
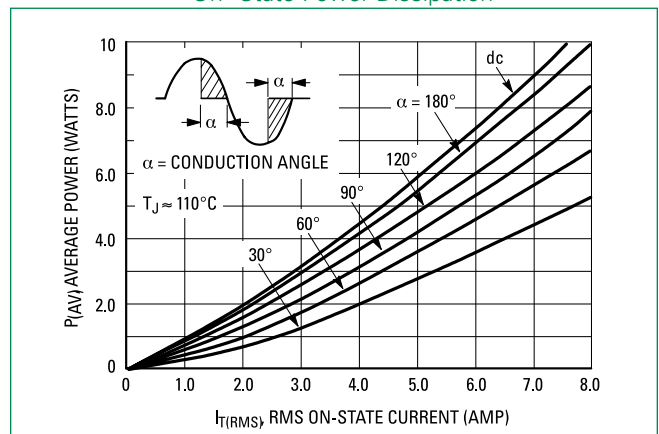


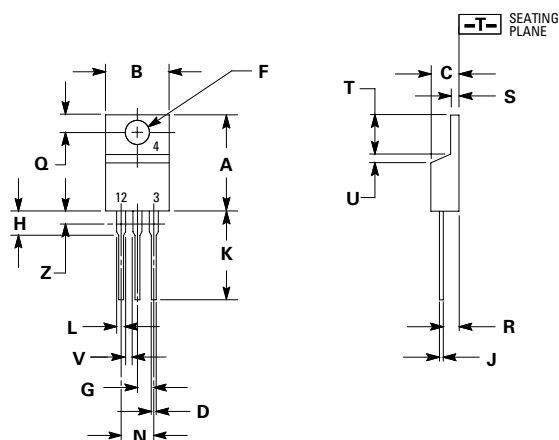
Figure 2. On-State Power Dissipation



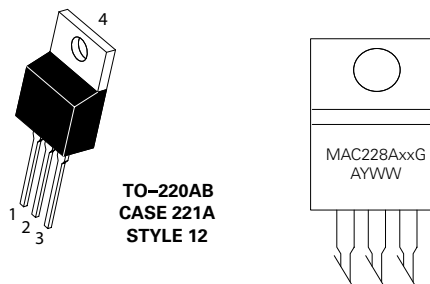
MAC228A

Sensitive Gate Triacs – 400V - 800V

Dimensions



Part Marking System



**TO-220AB
CASE 221A
STYLE 12**

- xx = 4, 6, 8, or 10
- A= Assembly Location (Optional)*
- Y= Year
- WW = Work Week
- G = Pb-Free Package

| Dim | Inches | | Millimeters | |
|-----|--------|-------|-------------|-------|
| | Min | Max | Min | Max |
| A | 0.590 | 0.620 | 14.99 | 15.75 |
| B | 0.380 | 0.420 | 9.65 | 10.67 |
| C | 0.178 | 0.188 | 4.52 | 4.78 |
| D | 0.025 | 0.035 | 0.64 | 0.89 |
| F | 0.142 | 0.147 | 3.61 | 3.73 |
| G | 0.095 | 0.105 | 2.41 | 2.67 |
| H | 0.110 | 0.130 | 2.79 | 3.30 |
| J | 0.018 | 0.024 | 0.46 | 0.61 |
| K | 0.540 | 0.575 | 13.72 | 14.61 |
| L | 0.060 | 0.075 | 1.52 | 1.91 |
| N | 0.195 | 0.205 | 4.95 | 5.21 |
| Q | 0.105 | 0.115 | 2.67 | 2.92 |
| R | 0.085 | 0.095 | 2.16 | 2.41 |
| S | 0.045 | 0.060 | 1.14 | 1.52 |
| T | 0.235 | 0.255 | 5.97 | 6.47 |
| U | 0.000 | 0.050 | 0.00 | 1.27 |
| V | 0.045 | --- | 1.15 | --- |
| Z | --- | 0.080 | --- | 2.04 |

1. Dimensioning and tolerancing per ansi y14.5m, 1982.
 2. Controlling dimension: inch.
 3. Dimension z defines a zone where all body and lead irregularities are allowed.

Pin Assignment

| Pin | Assignment |
|-----|-----------------|
| 1 | Main Terminal 1 |
| 2 | Main Terminal 2 |
| 3 | Gate |
| 4 | Main Terminal 2 |

Ordering Information

| Device | Package | Shipping |
|------------|-----------------------|-----------------|
| MAC228A4G | TO-220AB (Pb-Free) | 1000 Units/ Box |
| MAC228A6G | | |
| MAC228A6TG | | |
| MAC228A8G | | |
| MAC228A8TG | | |
| MAC228A10G | | |

Disclaimer Notice - Information furnished is believed to be accurate and reliable. However, users should independently evaluate the suitability of and test each product selected for their own applications. Littelfuse products are not designed for, and may not be used in, all applications. Read complete Disclaimer Notice at <http://www.littelfuse.com/disclaimer-electronics>.