

SERIES 28 HiPer-D® Accessories

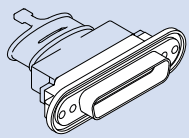
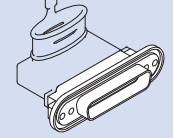
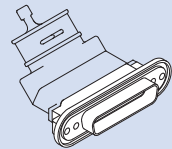
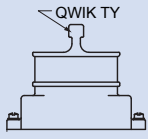
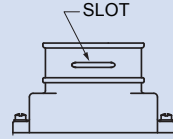
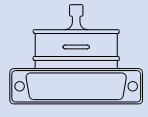
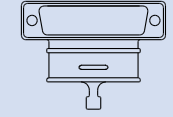


EMI Backshell, one-piece, environmental, panel mount
289T007 top entry, 289B007 45° entry, 289S007 side entry



FOR USE WITH GLENAIR SERIES 28 HIPER-D CONNECTORS

289-007 backshell fits panel mount HiPer-D® connectors. Available in straight, right angle and 45° versions. Aluminum or stainless steel body, fluorosilicone rubber gasket and stainless steel screws. Design also features a boot groove for the attachment of Series 77 heatshrink boots. Terminate cable shield with optional Band-Master ATS® band. Optional slot allows easy termination of multiple individual cable shields. Attach cable ties to optional Qwik-Ty™ leg.

Entry Style	
 Fig. 1 Top Entry 289T007	 Fig. 2 Side Entry 289S007
 Fig. 3 45° Entry 289B007	
Qwik-Ty™ Option	Slot Option
 Fig. 4 Qwik-Ty™	 Fig. 5 Slots
Cable Entry Direction	
 Fig. 6 Long Side Entry (1)	 Fig. 7 Short Side Entry (2)

Ordering Information									
Sample Part Number	289B007	ME	2	C	-T	N	N	N	1
Basic Part Number	289T007 = Top Entry (Fig. 1) 289S007 = Side Entry (Fig. 2) 289B007 = 45° Entry (Fig. 3)								
Finish	ME = Electroless Nickel Z2 = Gold								
Shell Size	1 = Shell Size 1 2 = Shell Size 2 3 = Shell Size 3 4 = Shell Size 4 5 = Shell Size 5 6 = Shell Size 6								
Entry Size	A, B, C or D See Cable Entry Size Table Below								
Qwik-Ty™ Option	N = Supplied without Qwik-Ty™ T = With Qwik-Ty™ Strain Relief (Fig. 4)								
Slot Option	N = Supplied without Slots S = With Slots for Terminating Individual Shields (Fig. 5)								
EMI/RFI Band	N = Supplied without Band K = Supplied with Pre-Coiled Band (600-052-1)								
Cable Entry Direction	Omit for 289T007. Applies only to 289S007 and 289B007. 1 = Cable Entry on Long Side of Shell Keystone (Fig. 6) 2 = Cable Entry on Short Side of Shell Keystone (Fig. 7)								

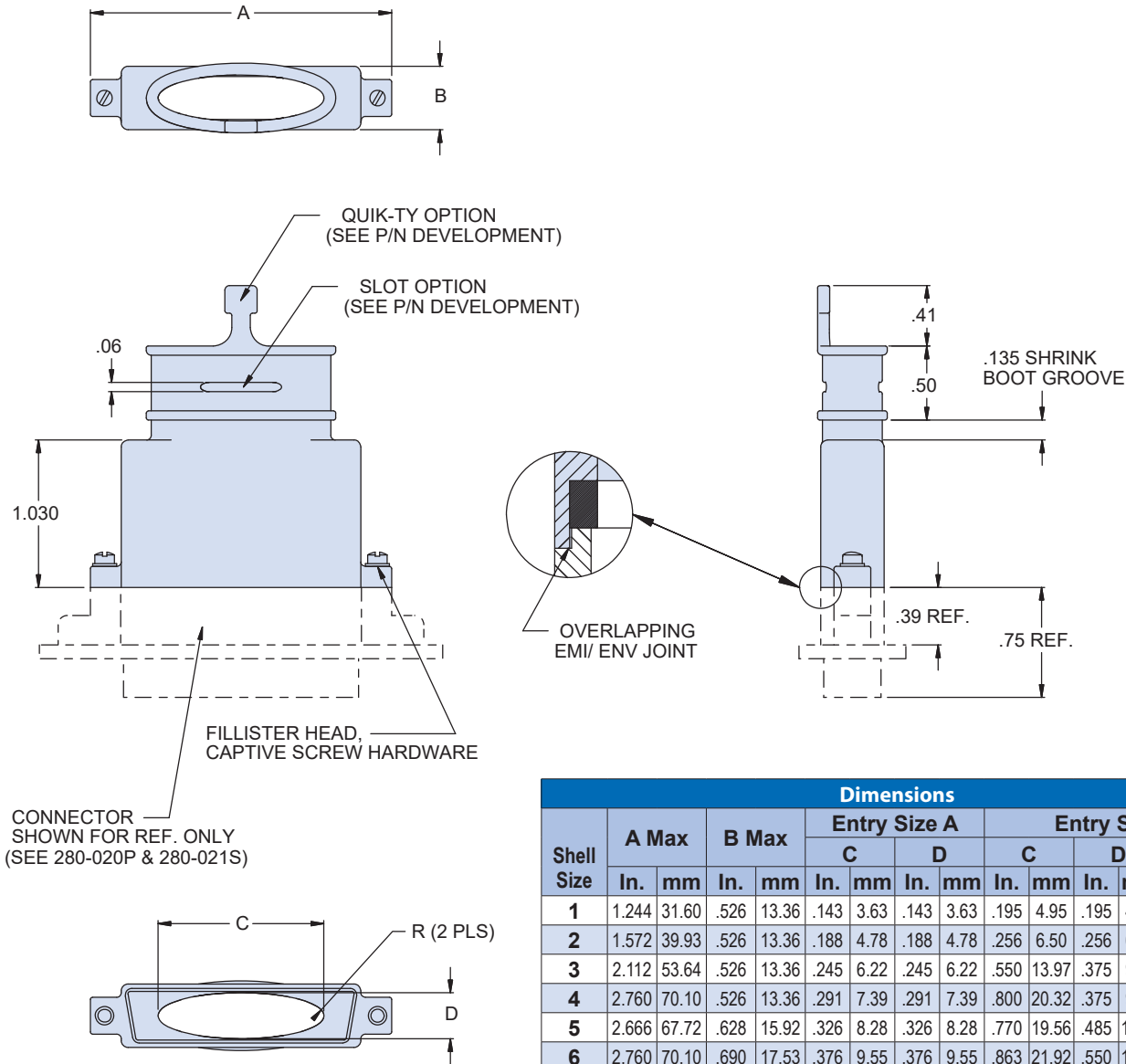


SERIES 28 HiPer-D® Accessories



EMI Backshell, one-piece, environmental, panel mount 289T007 top entry

289T007 DIMENSIONS



Shell Size	Dimensions													
	A Max		B Max		Entry Size A				Entry Size B					
	In.	mm	In.	mm	C		D		C		D		R	
1	1.244	31.60	.526	13.36	.143	3.63	.143	3.63	.195	4.95	.195	4.95	N/A	
2	1.572	39.93	.526	13.36	.188	4.78	.188	4.78	.256	6.50	.256	6.50	N/A	
3	2.112	53.64	.526	13.36	.245	6.22	.245	6.22	.550	13.97	.375	9.53	.125	3.18
4	2.760	70.10	.526	13.36	.291	7.39	.291	7.39	.800	20.32	.375	9.53	.125	3.18
5	2.666	67.72	.628	15.92	.326	8.28	.326	8.28	.770	19.56	.485	12.32	.156	3.96
6	2.760	70.10	.690	17.53	.376	9.55	.376	9.55	.863	21.92	.550	13.97	.188	4.78

Shell Size	Dimensions continued																	
	Entry Size C				Entry Size D				Entry Size E									
	C		D		R		C		D		R							
1	.242	6.15	.242	6.15	N/A	.438	11.13	.375	9.53	.160	4.06	.625	15.88	.375	9.53	.130	3.30	
2	.480	12.19	.375	9.53	.125	3.18	.688	17.48	.375	9.53	.130	3.30	.938	23.83	.375	9.53	.130	3.30
3	.780	19.81	.375	9.53	.125	3.18	1.125	28.58	.375	9.53	.109	2.77	1.438	36.53	.375	9.53	.109	2.77
4	1.260	32.00	.375	9.53	.125	3.18	1.813	46.05	.375	9.53	.109	2.77	2.125	53.98	.375	9.53	.109	2.77
5	1.250	31.75	.485	12.32	.156	3.96	1.750	44.45	.485	12.32	.125	3.18	2.000	50.80	.485	12.32	.125	3.18
6	1.323	33.60	.550	13.97	.156	3.96	1.875	47.63	.550	13.97	.125	3.18	2.125	53.98	.550	13.97	.125	3.18

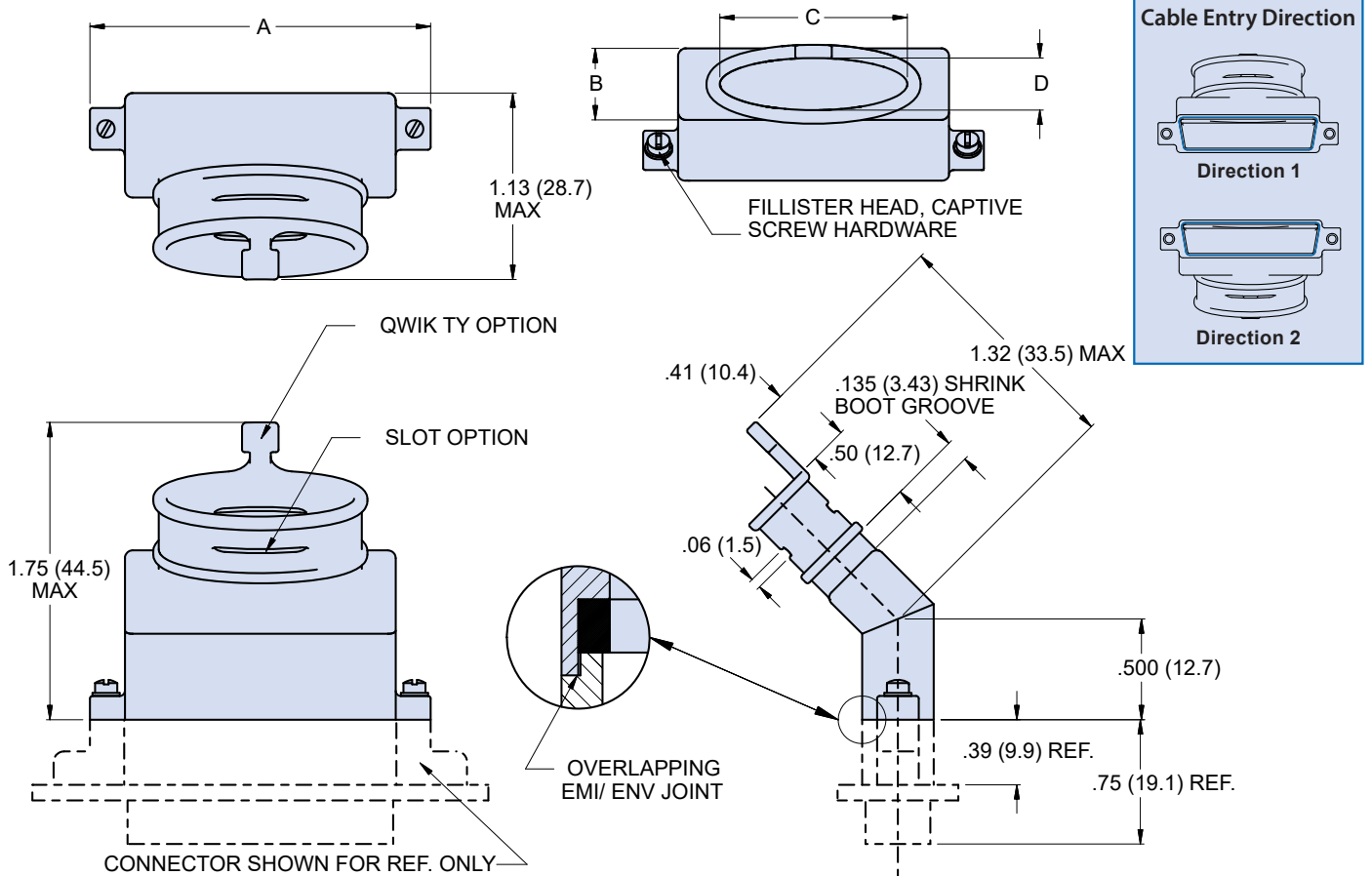
Rev. 05.11.20

SERIES 28 HiPer-D® Accessories



EMI Backshell, one-piece, environmental, panel mount
289B007 45° entry

289B007 DIMENSIONS



Shell Size	Dimensions												
	A Max		B Max		Entry Size A				Entry Size B				
	In.	mm	In.	mm	C		D		C		D		R
1	1.229	31.22	.498	12.65	.143	3.63	.143	3.63	.195	4.95	.195	4.95	N/A
2	1.557	39.55	.498	12.65	.188	4.78	.188	4.78	.256	6.50	.256	6.50	N/A
3	2.097	53.26	.498	12.65	.245	6.22	.245	6.22	.550	13.97	.375	9.53	.125 3.18
4	2.745	69.72	.498	12.65	.291	7.39	.291	7.39	.800	20.32	.375	9.53	.125 3.18
5	2.651	67.34	.600	15.24	.326	8.28	.326	8.28	.770	19.56	.485	12.32	.156 3.96
6	2.745	69.72	.662	16.81	.376	9.55	.376	9.55	.863	21.92	.550	13.97	.188 4.78

Shell Size	Dimensions continued												
	Entry Size C			Entry Size D									
	C		D	R			C		D		R		
1	.242	6.15	.242	6.15	N/A			.438	11.13	.375	9.53	.160	4.06
2	.480	12.19	.375	9.53	.125	3.18	.688	17.48	.375	9.53	.130	3.30	
3	.780	19.81	.375	9.53	.125	3.18	1.125	28.58	.375	9.53	.109	2.77	
4	1.260	32.00	.375	9.53	.125	3.18	1.813	46.05	.375	9.53	.109	2.77	
5	1.250	31.75	.485	12.32	.156	3.96	1.750	44.45	.485	12.32	.125	3.18	
6	1.323	33.60	.550	13.97	.156	3.96	1.875	47.63	.550	13.97	.125	3.18	

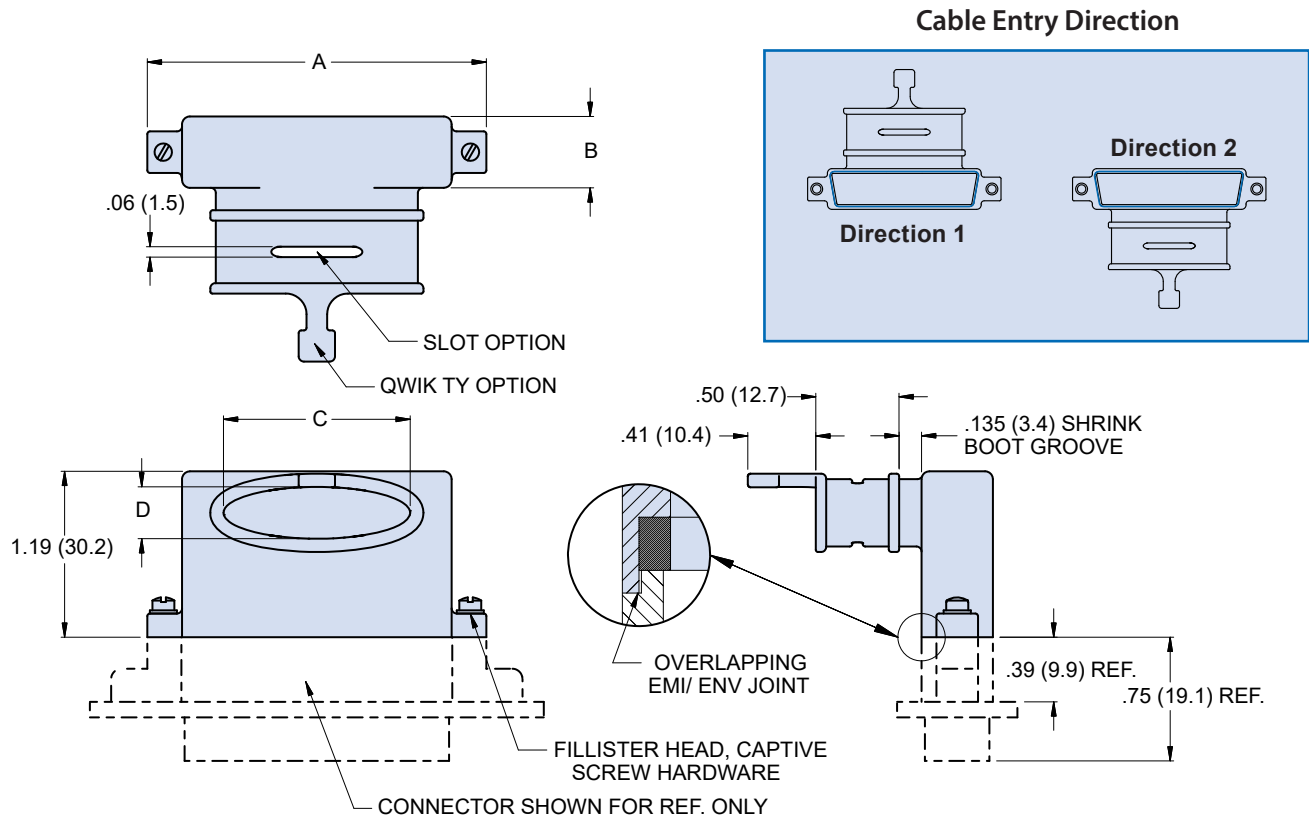


SERIES 28 HiPer-D® Accessories



EMI Backshell, one-piece, environmental, panel mount
289S007 side entry

289S007 DIMENSIONS



Shell Size	Dimensions												
	A Max		B Max		Entry Size A				Entry Size B				
	In.	mm	In.	mm	C		D		C		D		R
1	1.244	31.60	.526	13.36	.143	3.63	.143	3.63	.195	4.95	.195	4.95	N/A
2	1.572	39.93	.526	13.36	.188	4.78	.188	4.78	.256	6.50	.256	6.50	N/A
3	2.112	53.64	.526	13.36	.245	6.22	.245	6.22	.550	13.97	.375	9.53	.125 3.18
4	2.760	70.10	.526	13.36	.291	7.39	.291	7.39	.800	20.32	.375	9.53	.125 3.18
5	2.666	67.72	.628	15.95	.326	8.28	.326	8.28	.770	19.56	.485	12.32	.156 3.96
6	2.760	70.10	.690	17.53	.376	9.55	.376	9.55	.863	21.92	.550	13.97	.188 4.78

Shell Size	Dimensions continued									
	Entry Size C					Entry Size D				
	C		D		R	C		D		R
1	.242	6.15	.242	6.15	N/A	.438	11.13	.375	9.53	.160 4.06
2	.480	12.19	.375	9.53	.125 3.18	.688	17.48	.375	9.53	.130 3.30
3	.780	19.81	.375	9.53	.125 3.18	1.125	28.58	.375	9.53	.109 2.77
4	1.260	32.00	.375	9.53	.125 3.18	1.813	46.05	.375	9.53	.109 2.77
5	1.250	31.75	.485	12.32	.156 3.96	1.750	44.45	.485	12.32	.125 3.18
6	1.323	33.60	.550	13.97	.156 3.96	1.875	47.63	.550	13.97	.125 3.18