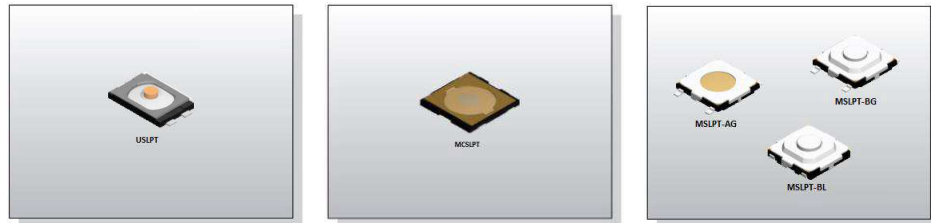


## Applications

- Portable electronic devices.
- 3C products.
- Smart phones.
- Digital cameras.

## LPT Series – Low-Profile Tactile Switches



## Features

- Compact size.
- Low-profile.
- Long operation life.
- Grounded options available.

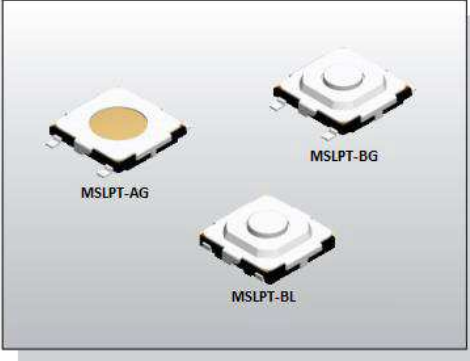
TE Connectivity is pleased to introduce its LPT Series of Low-Profile Tactile Switches. Given the various combinations of Size and Height measures offered by the LPT Series, these tactile switches are ideal for a wide variety of applications within the portable electronics market.

The Low-Profile Tactile Switches will be characterised by SMT mounting available in Tab, Gull-Winged and J-Bend terminations.

## LPT Series – Family Classification

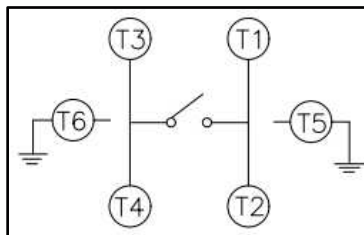
Family	USLPT (Ultra-Mini Size)	MCLPT (Micro-Mini Size)	MSLPT (Mini Size)
Body Size	2.6x1.6mm to 3.7x3.7mm	4.6x4.4mm to 4.8x4.8mm	5.2x5.2mm
Height	0.35mm to 0.65mm	0.55mm to 1.05mm	0.80mm to 2.00mm
Mounting	Tab / J-Bend	J-Bend	Gull-Wing / J-Bend
Grounding	No	No	Yes
Packaging	Tape & Reel	Tape & Reel	Tape & Reel

## MSLPT Family – 5.2 x 5.2mm

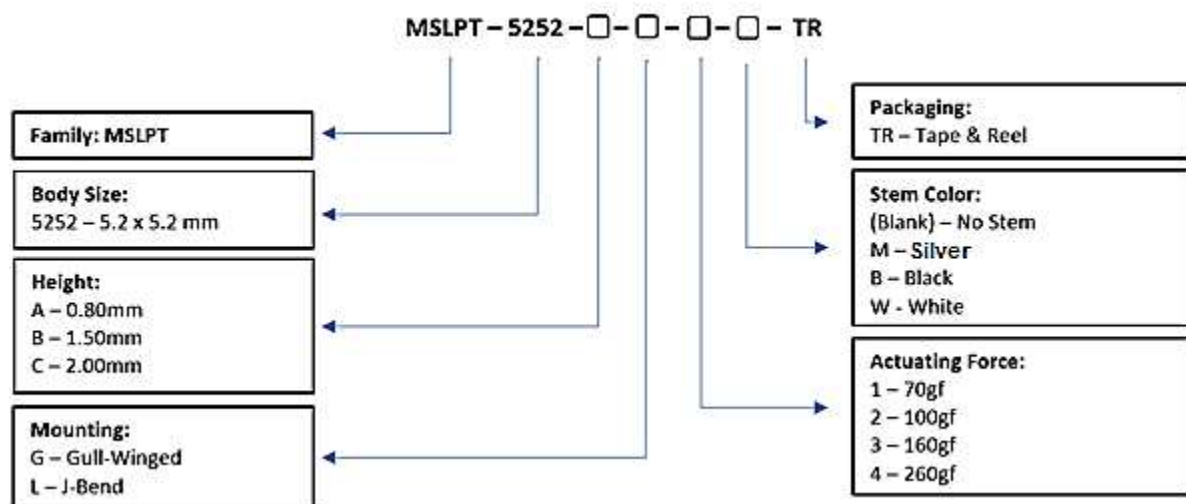
	Contact Rating	50mA, 12VDC
	Contact Resistance	100mΩ Max.
	Insulation Resistance	100MΩ Min. 500VDC
	Dielectric Strength	250VAC/1 Minute
	Operating Force	70 ± 50gf / 100 ± 50gf 160 ± 50gf / 260 ± 50gf
	Travel	0.25mm
	Operating Life	70, 100 & 160gf = 1,000,000 Cycles Min. 260gf = 200,000 Cycles Min.
	Operating Temperature	-25°C to +70°C
Storage Temperature	-30°C to +80°C	

Features	Applications
<ul style="list-style-type: none"> <li>• Compact size.</li> <li>• Extended operating life.</li> <li>• With Grounded terminal.</li> </ul>	<ul style="list-style-type: none"> <li>• Digital cameras.</li> <li>• Smart Phones.</li> <li>• Portable electronic devices.</li> </ul>

### Circuit

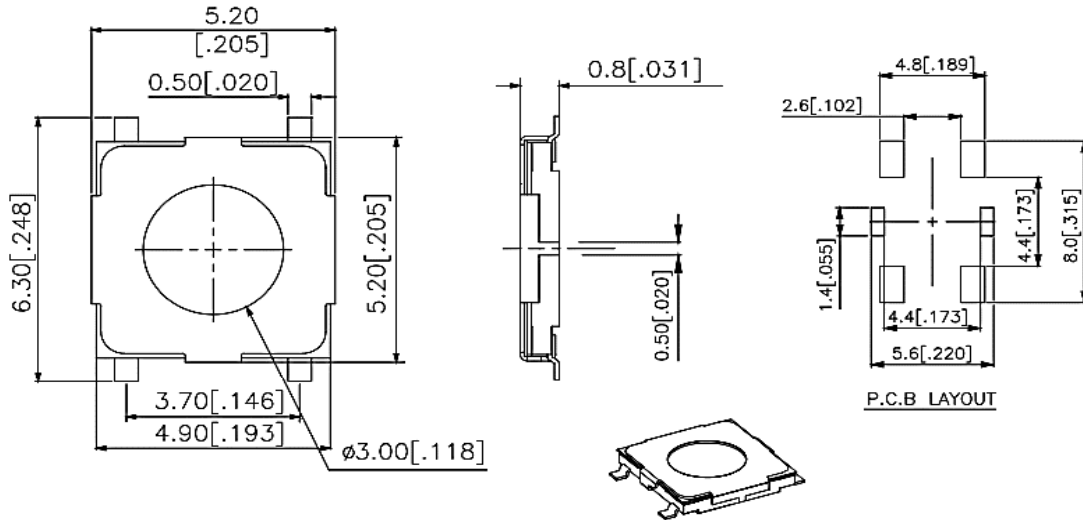


### Part Numbering

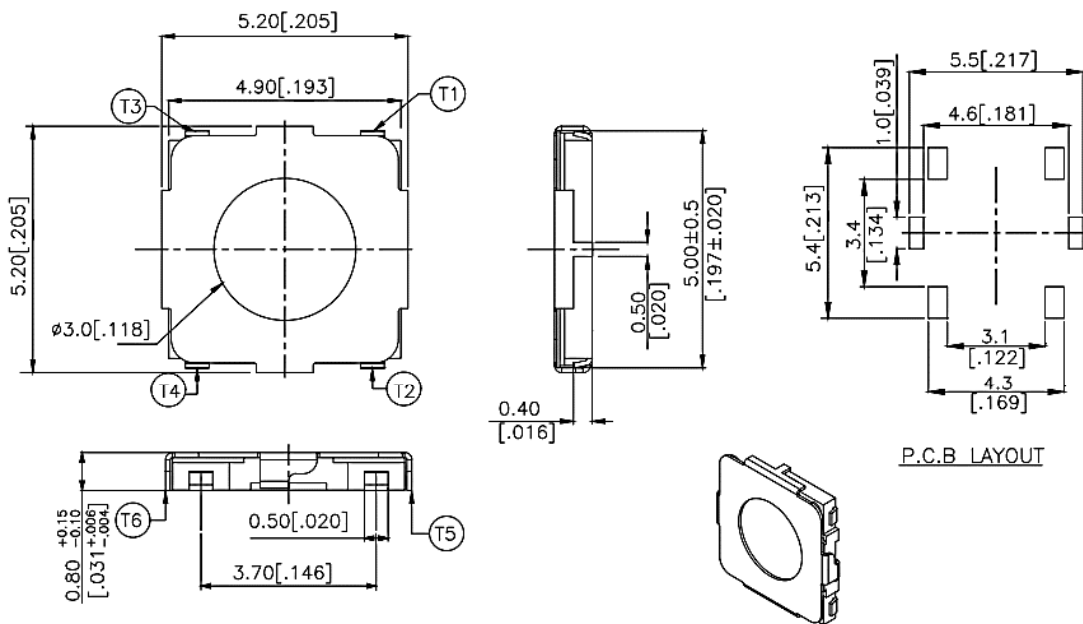


## Diagrams

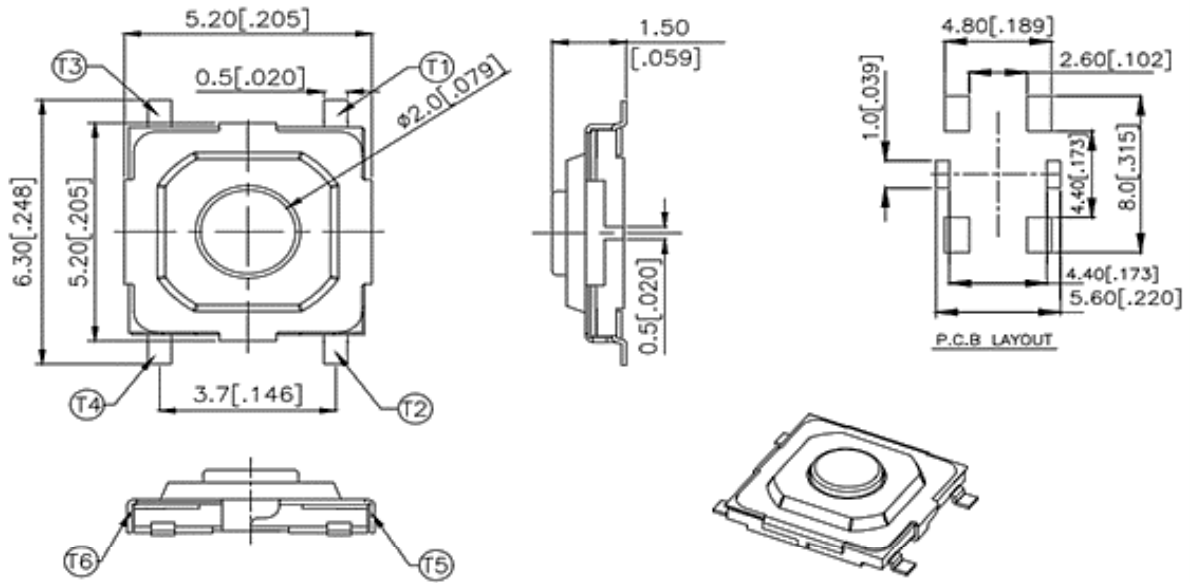
-MSLPT5252 – AG



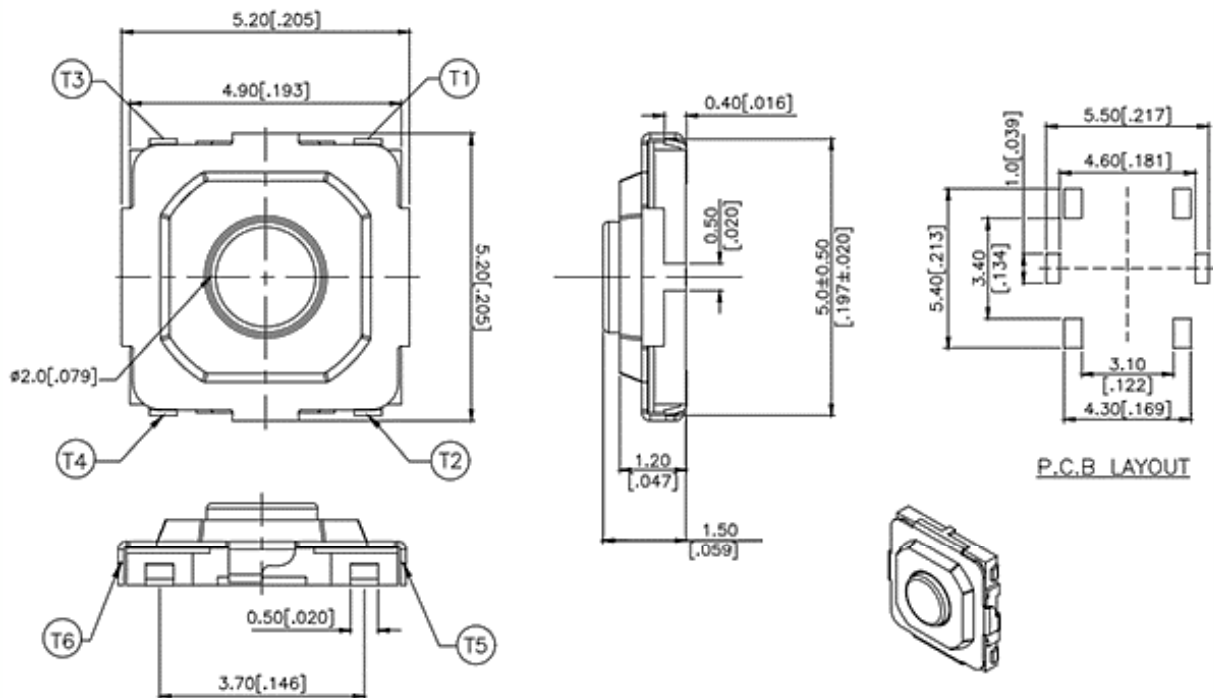
-MSLPT5252-AL



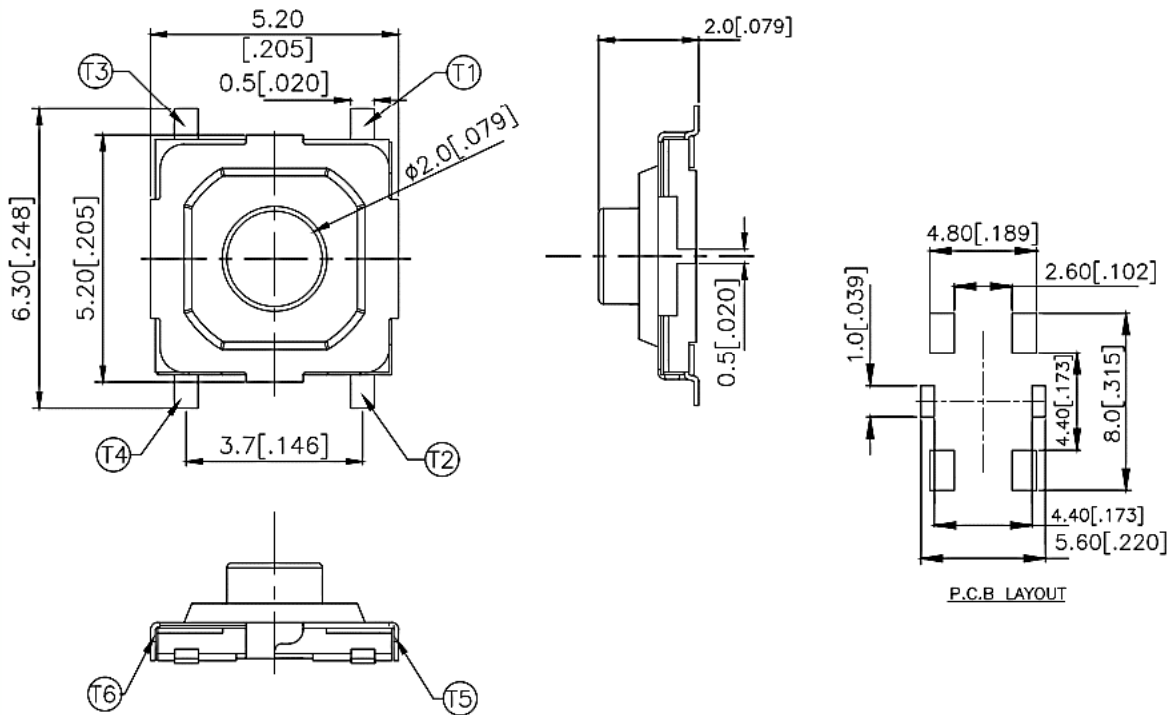
-MSLPT5252 – BG



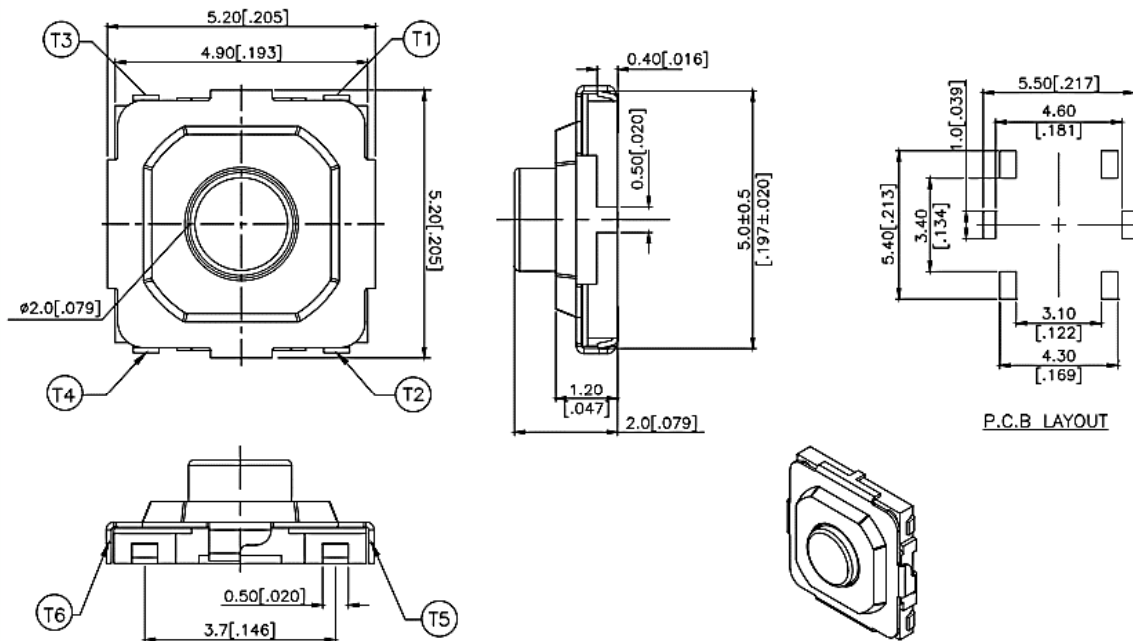
-MSLPT5252 – BL



-MSLPT5252 – CG



-MSLPT5252 – CL



## PN List

Smart PN	Body Size	Height	Mounting	Stem Color	Operation Force	Packaging	MOQ	TE PN
MSLPT5252AG2TR	5.2 x 5.2mm	0.80mm	Gull-Winged	N/A	100gf	Tape & Reel	4000	2337236-1
MSLPT5252AG3TR	5.2 x 5.2mm	0.80mm	Gull-Winged	N/A	160gf	Tape & Reel	4000	2337236-2
MSLPT5252AG4TR	5.2 x 5.2mm	0.80mm	Gull-Winged	N/A	260gf	Tape & Reel	4000	2337236-3
MSLPT5252BG1MTR	5.2 x 5.2mm	1.50mm	Gull-Winged	Silver	70gf	Tape & Reel	4000	2337237-1
MSLPT5252BG2MTR	5.2 x 5.2mm	1.50mm	Gull-Winged	Silver	100gf	Tape & Reel	4000	2337237-2
MSLPT5252BG3MTR	5.2 x 5.2mm	1.50mm	Gull-Winged	Silver	160gf	Tape & Reel	4000	2337237-3
MSLPT5252BG4MTR	5.2 x 5.2mm	1.50mm	Gull-Winged	Silver	260gf	Tape & Reel	4000	2337237-4
MSLPT5252CG1BTR	5.2 x 5.2mm	2.00mm	Gull-Winged	Black	70gf	Tape & Reel	3000	2337238-1
MSLPT5252CG2WTR	5.2 x 5.2mm	2.00mm	Gull-Winged	White	100gf	Tape & Reel	3000	2337238-2
MSLPT5252CG3BTR	5.2 x 5.2mm	2.00mm	Gull-Winged	Black	160gf	Tape & Reel	3000	2337238-3
MSLPT5252CG4WTR	5.2 x 5.2mm	2.00mm	Gull-Winged	White	260gf	Tape & Reel	3000	2337238-4
MSLPT5252AL2TR	5.2 x 5.2mm	0.80mm	J-Bend	N/A	100gf	Tape & Reel	4000	2337242-1
MSLPT5252AL3TR	5.2 x 5.2mm	0.80mm	J-Bend	N/A	160gf	Tape & Reel	4000	2337242-2
MSLPT5252AL4TR	5.2 x 5.2mm	0.80mm	J-Bend	N/A	260gf	Tape & Reel	4000	2337242-3
MSLPT5252BL1MTR	5.2 x 5.2mm	1.50mm	J-Bend	Silver	70gf	Tape & Reel	4000	2337243-1
MSLPT5252BL2MTR	5.2 x 5.2mm	1.50mm	J-Bend	Silver	100gf	Tape & Reel	4000	2337243-2
MSLPT5252BL3MTR	5.2 x 5.2mm	1.50mm	J-Bend	Silver	160gf	Tape & Reel	4000	2337243-3
MSLPT5252BL4MTR	5.2 x 5.2mm	1.50mm	J-Bend	Silver	260gf	Tape & Reel	4000	2337243-4
MSLPT5252CL1BTR	5.2 x 5.2mm	2.00mm	J-Bend	Black	70gf	Tape & Reel	3000	2337245-1
MSLPT5252CL2WTR	5.2 x 5.2mm	2.00mm	J-Bend	White	100gf	Tape & Reel	3000	2337245-2
MSLPT5252CL3BTR	5.2 x 5.2mm	2.00mm	J-Bend	Black	160gf	Tape & Reel	3000	2337245-3
MSLPT5252CL4WTR	5.2 x 5.2mm	2.00mm	J-Bend	White	260gf	Tape & Reel	3000	2337245-4

**1. Style**

“Tactile Switches” are mainly used as signal switches of electric devices, with the general requirements of mechanical and electrical characteristic.

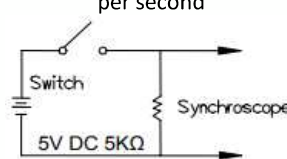
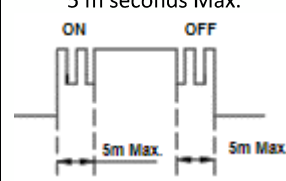
1.1 Operating Temperature Range: -25 °C to +70°C

1.2 Storage Temperature Range: -30 °C to +80°C

**2. Current Range:** 50mA, 12VDC Max.

**3. Type of Actuation:** Tactile feedback

**4. Test Sequence:**

	Item	Description	Test Conditions	Requirements
Appearance	1	Visual Examination	By visual examination check without any out pressure & testing.	There shall be no defects that affect the serviceability of the product.
Electrical Performance	2	Contact Resistance	Applying a static load (1.5 to 2x actuating force) to the centre of the actuator. Measurements shall be made with a 1 kHz small current contact resistance meter.	100mΩ Max.
	3	Insulation Resistance	Measurements shall be made following application of 500VDC potential across terminals and cover for 1 minute± 5 seconds.	100MΩ Min.
	4	Dielectric Withstanding Voltage	250VAC (50Hz or 60Hz) shall be applied across terminals and cover for 1 minute.	There shall be no breakdown or flashover.
	5	Bounce	3 to 4 operations at a rate of 1 cycles per second 	5 m seconds Max. 



	6	Operating Force	Applied in the direction of operation.	70±50gf (0.69±0.49N)	100±50gf (0.98±0.49N)	160±50gf (1.57±0.49N)	260±50gf (2.55±0.49N)
Mechanical Performance	7	Stroke	Placing the switch such that the direction of switch operation is vertical and then gradually increasing the load applied to the centre of the actuator to a stop shall be measured.	0.25 +0.1/-0.2mm			
	8	Control strength	Static load of 3Kg (29.4N) shall be applied in the operating direction of the control unit for 15 seconds.	As shown in items 4 to 7.			
	9	Solder Heat Resistance	(PCB is 1.6mm in thickness)	1) Shall be free from pronounced backlash and falling-off or breakage terminals. 2) As shown in item 4 to 5. 3) Contact Resistance: 200mΩ Max. 4) Insulation Resistance: 10MΩ Min.			
	10	Vibration	Shall be vibrated in accordance with Method 201A of MIL-STD-202F 1) Swing distance=1.5mm 2) Frequency: 10-55-10Hz in 1-min/cycle. 3) Direction: 3 vertical directions including the directions of operation. 4) Test time: 2 hours each direction.	1) As shown in item 4 to 7. 2) Contact Resistance: 200mΩ Max. 3) Insulation Resistance: 10MΩ Min.			
	11	Shock	Shall be shocked in accordance with Method 213B condition A of MIL-STD-202F 1) Acceleration: 50G. 2) Action Time: 11 ± 1m sec. 3) Testing Direction: 6 sides. 4) Test cycle: 3 times in each direction.	1) As shown in item 4 to 7. 2) Contact Resistance: 200mΩ Max. 3) Insulation Resistance: 10MΩ Min.			
Durability	12	Operating Life	Measurements shall be made following the test forth below: 1) 5mA, 5VDC resistive load. 2) Applying a static load the force to the centre of the actuator in the direction of operation. 3) Cycle of Operation: ■ 70, 100 & 160gf = 1,000,000 Cycles Min. ■ 260gf = 200,000 Cycles Min.	1) As shown in item 4 to 5. 2) Operating force: ±50% of initial force. 3) Contact Resistance: 10Ω Max. 4) Insulation Resistance: 10MΩ Min. 5) Bounce: 10m seconds Max.			

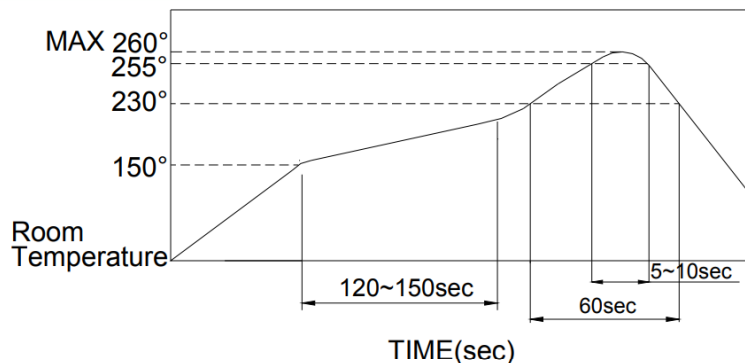




Environmental Endurance	13	Low Temperature Resistance	Following the test set forth below the sample shall be left in normal temperature and humidity conditions for 1 hour before the measurements are made: 1) Temperature: $-25\pm 2^{\circ}\text{C}$ 2) Time: 96 hours	1) As shown in item 4 to 7. 2) Contact Resistance: 200m $\Omega$ Max. 3) Insulation Resistance: 10M $\Omega$ Min.
	14	High Temperature Resistance	Following the test set forth below the sample shall be left in normal temperature and humidity conditions for 1 hour before the measurements are made: 1) Temperature: $80\pm 2^{\circ}\text{C}$ 2) Time: 96 hours	1) As shown in item 4 to 7. 2) Contact Resistance: 200m $\Omega$ Max. 3) Insulation Resistance: 10M $\Omega$ Min.
	15	Humidity Resistance	Following the test set forth below the sample shall be left in normal temperature and humidity conditions for 1 hour before the measurements are made: 1) Temperature: $40\pm 2^{\circ}\text{C}$ 2) Relative Humidity: 90 to 95% 3) Time: 96 hours	1) As shown in item 4 to 7. 2) Contact Resistance: 200m $\Omega$ Max. 3) Insulation Resistance: 10M $\Omega$ Min.

**5. Soldering Conditions:**

■ Condition for Soldering MSLPT Series:



■ The condition noted above is the temperature of the copper foil on the surface of the PCB. There are cases where the temperature of the board greatly differs from the surface of the switch. Do not allow the surface temperature of the switch to exceed 260°C.

### ■ Manual Soldering

Soldering Temperature: 350°C Max.

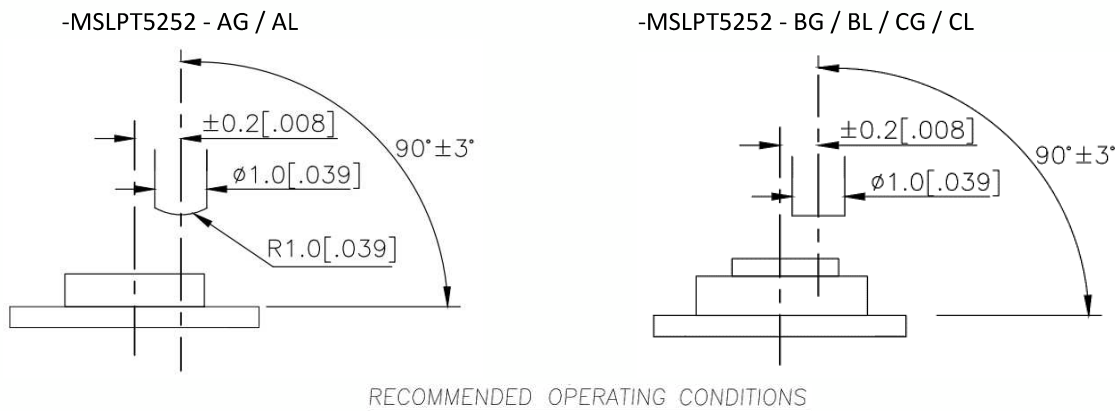
Continuous Soldering Time: 5 second Max.

### ■ Precautions in Handling

1. Care should be exercised so that flux from the top surface of the printed circuit board does not adhere to the switch.
2. Do not wash the switch.

### ■ Operating precautions

1. Do not actuate the switch with excessive force.
2. Discontinue force after the switch has been actuated so as to avoid deformation of the components of the switch. Deformation of the components may cause the switch to malfunction.
3. Align the plunger with the switch to insure proper operation.



### ■ Notes on storage conditions

### ■ Notes on storage conditions

Avoid the following as exposure may affect the performance and/or the soldering of the switch:

1. Temperature of -10 to +40°C & 85% humidity.
2. Exposure to corrosive gas.
3. Storage over 6 months
4. Exposure to direct sunlight.
5. Storage conditions should prevent heavy impact or loading.
6. After opening the package, unused switches must be repackaged in a moisture-proof and airtight environment.