

1

2

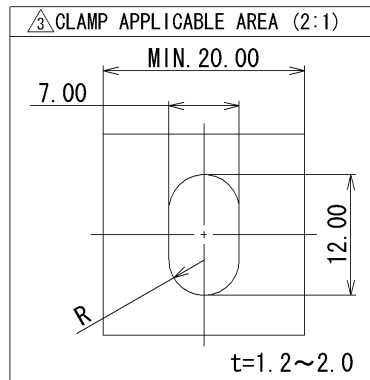
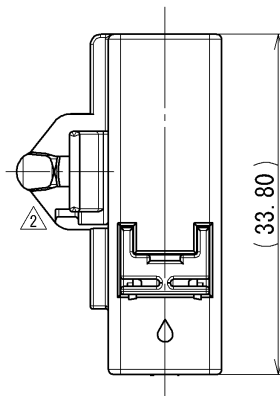
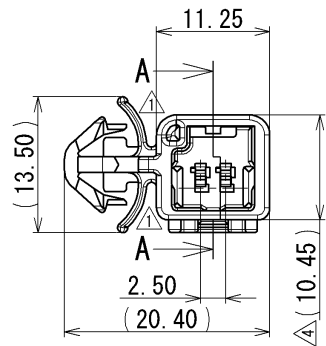
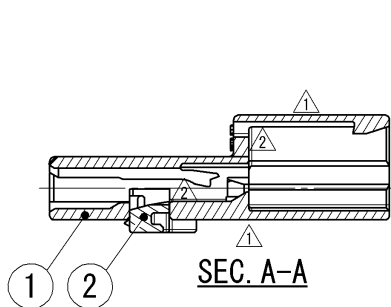
3

TABLE 1

SUB ASSEMBLY PART NO. AND CH. CODE	NO.	PART NO. AND CH. CODE	MATERIAL	COLOR	QTY.
△ 7282-5845 ETC.	①	△ SEE TABLE 2	PBT	△ SEE TABLE 2	1
	②	7158-4633	PBT	NATURAL	1

△ TABLE 2

SUB ASSEMBLY PART NO. AND CH. CODE	PART NO. AND CH. CODE	COLOR
7282-5845	7182-5845	NATURAL
△ 7282-5845-30	7182-5845-30	BLACK



## △ 注記

1. 取扱説明書No. : YPES-15-274

## △ NOTE

1. HANDLING MANUAL NO. : YPES-15-274

△	2011/08/03	CHANGED NOTES ETC.	C11-Z519	E. I											
△	2002/03/18	ADDED COLOR NO. & CHANGED PART NAME	C02-X335	Y. I											
△	1998/06/26	CORRECTION OF A CLERICAL ERROR, ELIMINATED COLOR NO. & CHANGED NOTE	C98-M154	T. M											
△	1997/09/12	CHANGED FORM	C97-M915	H. K											
	1997/07/09	NEW	C97-M420	H. K											
LET	DATE	REVISION RECORD	NO.	CHKD											
GENERAL TOLERANCE															
	10MAX	50MAX	100MAX	250MAX	2500VR	ANGLE	ECCENT	DWG TYPE	DWG SOURCE	DWG DATE	UNIT	SCL	ANGLE	PART NO. CH. CODE	
A	±0.15	±0.2	±0.3	±0.5	±0.75	±30'	O.1	R	NEW	1997/07/09	mm	2:1	3	△ 7282-5845 ETC.	
B	±0.2	±0.3	±0.55	±0.95	±1.4	±30'	O.1	APPROVED	CHECKED	CHECKED	DESIGN	DRAWN	DWG NO.	7282-5845:R	
③	±0.3	±0.5	±0.8	±1.4	±2	±30'	O.15	M. FUKUDA	T. HIRAKAWA	N. NISHIYAMA	T. MIWA	E. ITALIA	SET DWG NO.		
SPECIFIED							MASS				YAZAKI CORPORATION				
								2011/08/03	2011/08/03	2011/08/03	1997/05/20	2011/08/03			

1

2

3

ISSUE MARK

NAME △ 1.0Ⅲ 2P HOUSING MALE SUB ASSEMBLY

PART NO. CH. CODE △ 7282-5845 ETC.

DWG NO. 7282-5845:R

SET DWG NO.

YAZAKI CORPORATION

# Mouser Electronics

Authorized Distributor

Click to View Pricing, Inventory, Delivery & Lifecycle Information:

[Yazaki:](#)

[72825845](#) [7282584530](#)