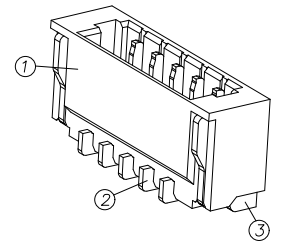
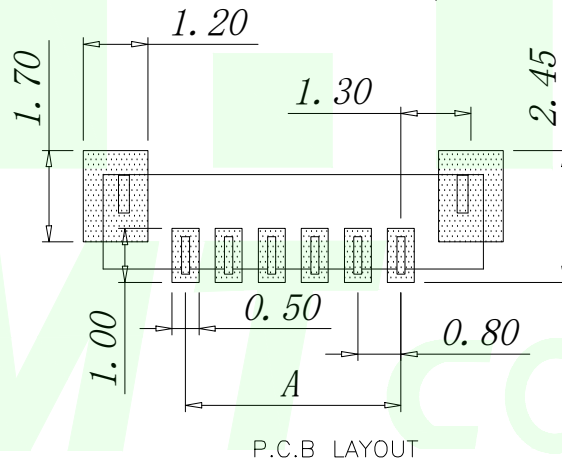
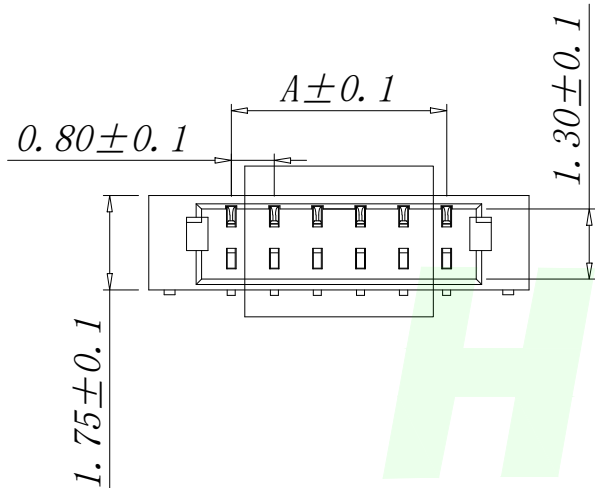
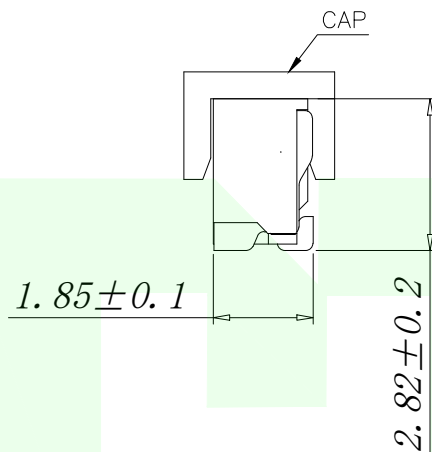
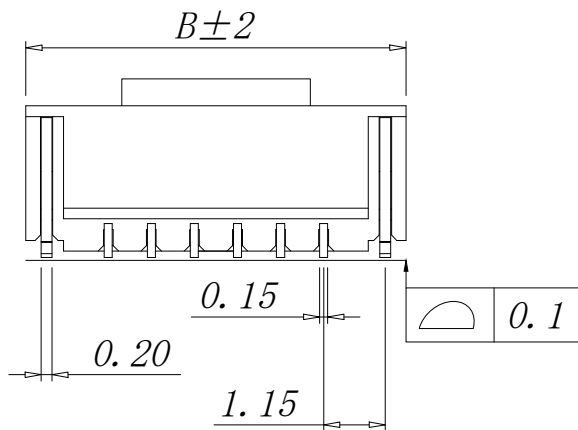


RoHs

VER	MARK	PR. BY	DESCRIPTION	DATE



PART NO	PIN	A	B
W0801130-2PW2431	2	0.80	3.85
W0801130-3PW2431	3	1.60	4.65
W0801130-4PW2431	4	2.40	5.45
W0801130-5PW2431	5	3.20	6.25
W0801130-6PW2431	6	4.00	7.05
.....
W0801130-24PW2431	24	18.40	21.45

NOTES:
 1.BASE: LCP
 2.PIN: Brass
 3.Solder Tab: Brass

SPECIFICATIONS:
 1.Spacing: 0.8
 2.Voltage Rating: 30V AC DC
 3.Current Rating: 0.5A AC DC
 4.Insulation Resistance: 100MΩ Min
 5.Contact Resistance: 20mΩ Max
 6.Withstanding voltage: 200V AC 1/Minute
 7.Temperatuer Range: -25℃ ~+ 85℃

GENERAL TOLERANCES UNLESS SPECIFIED		 深圳市华明通电子有限公司 Shenzhen Huamingtong Electronics Co., Ltd	
X.X ±0.30	X.° ±5°	PART NO.	TITLE:
.XX ±0.20	X.X° ±1°	W0801130-XPW2431	WAFER 0.8 立贴
.XXX ±0.10	X.XX° ±0.5°	DESIGN: James	CUSTOMER
MANUFACTURE DWG		CHED: Talen	
		APPD: Sophia	UNITS MM
			SCALE
			N:A
			SHEET 1/1