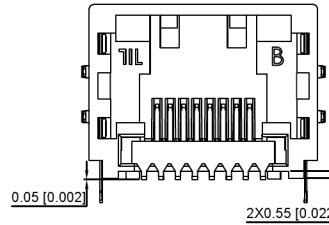
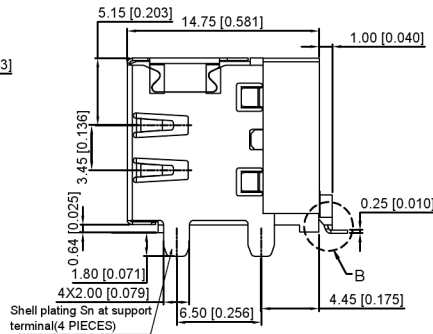
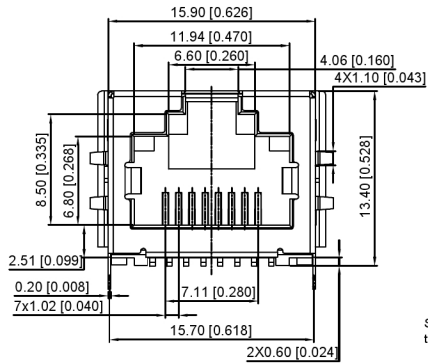


DIMENSIONS OF PC BOARD HOLES  
TOLERANCE: ±0.05(TOP VIEW)  
Thickness=1.2mm



XKB Connectivity

**MATERIAL 材料:**

HOUSING 外壳: LCP,UL94V-0,BLACK.

TERMINAL 端子: PHOSPHOR BRONZE, Ø=0.46MM,  
GOLD PLATING ON CONTACT AREA.

**MECHANICAL 机械:**

DURABILITY 耐用性: 750 CYCLES MIN.600 times /H

INSERTION FORCE 插入力: 2.2KG.F MAX

Withdrawal Force 拔出力: 44N Max.

OPERATING TEMPERATURE 工作温度: -25°C~+70°C.

STORAGE TEMPERATURE 储存温度: -0°C~+70°C.

**ELECTRICAL 电动:**

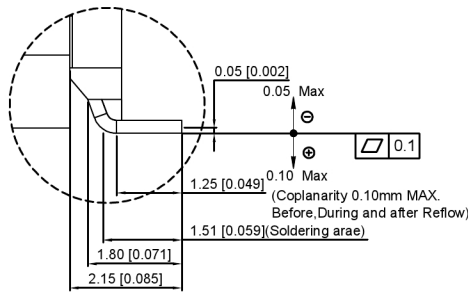
VOLTAGE 电压:12 V

CURRENT RATING 额定电流:0.5A AC

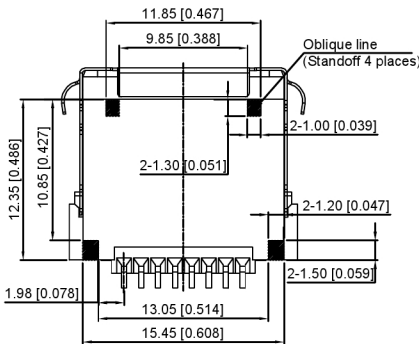
DIELECTRIC STRENGTH 介电强度:500V AC ,2mA shall be applied between adjacent contacts for 1 minute at 50 or 60 Hz.

INSULATION RESISTANCE 绝缘电阻:500 MEGA OHMS MIN.INITIAL  
AFTER 500V DC FOR 1 MINUTE

CONTACT RESISTANCE 接触电阻:100mΩ or less



DETAIL B  
SCALE 4:1



广东星坤科技股份有限公司

Δx 日期

Δx 日期

MARK 日期

文件工程章

www.helloxkb.com www.helloxkb.cn www.xk-dg.cn

REVISIONS

DATE REVISED APPROVED

UNSPECIFIED TOLERANCES

ANGLAR	±5°
L ≤ 4	±0.2
4 < L ≤ 16	±0.3
16 < L ≤ 63	±0.4
L > 63	±0.5



XKB INDUSTRIAL PRECISION CO., LIMITED

DSND	SCALE: N/A	MODEL TYPE:	3.1 TYPE C
DWN	VIEW:	PART NO.:	
CHKD	UNIT: mm/in	DWG NO.:	X05ADHWW6SBW1
APPD	SIZE: A4	WEIGHT	SHEET
		1/1	REVISION
			A0