

Pololu Dual MC33926 Motor Driver Carrier

The dual MC33926 motor driver carrier is a breakout board featuring two Freescale MC33926 H-bridge ICs. It can supply up to almost 3 A continuous current per channel to two brushed DC motors at 5 – 28 V, and it can tolerate peak currents up to 5 A per channel for a few seconds, making this a great general-purpose motor driver for medium-sized DC motors and for differential-drive robots that use such motors..

Features

- Breakout board for Freescale's MC33926 full H-Bridge
Delivers 3A continuously to each of it's two motor channels
- Current feedback, and under-voltage protection
- Over-current and over-temperature protection
- Reverse voltage protection on motor voltage (Logic voltage does not have reverse protection)



Pictures Courtesy of Pololu

Key Specifications

- Power Requirements: 5 to 28VDC
- Communication Interface: 3-5V TTL, PWM(up to 20kHz)
- Operating temperature: -40°C to 125°C
- Dimensions: 1.10" x 1.8" (Without included hardware)

Application Ideas

- Robotics
- DC Motor Control

Precautions

- This product can get hot enough to burn you long before the chip overheats.

Table of Contents

| | | | |
|-------------------------------------|---|-----------------------------------|---|
| Features..... | 1 | Protection..... | 3 |
| Key Specifications | 1 | Absolute Maximum Ratings..... | 4 |
| Application Ideas | 1 | Pin Definitions and Ratings | 4 |
| Precautions..... | 1 | Connection Diagrams | 5 |
| Packing List | 2 | Module Dimensions | 5 |
| Additional Items Required | 2 | Resources and Downloads | 5 |
| General Specifications | 2 | Schematic..... | 6 |
| Basic Application Connections | 2 | | |

Packing List

- (1) MC33926 Dual Carrier Board
- 25-pin Straight Breakaway male Header
- (3) 2-pin 3.5mm Terminal Blocks

Additional Items Required

- Soldering Iron and solder
- Safety glasses
- Heat sink (optional)

General Specifications

| | |
|--|----------|
| Motor Driver: | MC33926 |
| Motor Channels: | 2 |
| Minimum Operating Voltage: | 5V |
| Maximum Operating Voltage: | 28V |
| Continuous Output Current per Channel: | 2.5A |
| Current Sense: | 0.525V/A |
| Maximum PWM Frequency: | 20 kHz |
| Minimum Logic Voltage: | 2.5V |
| Maximum Logic Voltage: | 5.5V |
| Reverse Voltage Protection?: | YES |

Notes:

- 1) Operation from 5-8V reduces maximum current output.
- 2) The device is protected from transients up to 40V.
- 3) The Continuous output current can be improved with the addition of a heat sink.
- 4) SLEW pin should be HIGH for frequencies above 10kHz.
- 5) Voltage protection is on Motor Voltage only, Logic Voltage does not have reverse protection.

Basic Application Connections

In a typical application, five I/O lines are used to connect each motor driver channel to a microcontroller: the two input lines, IN1 and IN2, for direction control, one of the disable lines, D1 or D2, for PWM speed control, the current sense output, FB, for monitoring motor current draw (connected to an analog-to-digital converter input) and the status flag, SF, for monitoring motor driver errors. The control lines can be reduced to two pins per channel if PWM signals are applied directly to the two input pins with both disable pins held inactive. In each of these cases, the other unused lines must be set to enable proper operation.

For example, if D2 is used for the PWM input (as is typically the case), D1 must be held low to prevent it from disabling the motor driver. The circuit board provides convenient jumper points for overriding the motor driver defaults without having to connect extra wires to the module. The current sense and status flag connections are optional, though monitoring of the status flags can allow detection of latched fault conditions. The status flags are open-drain output, so the two status flag can be wired together for applications where I/O pins are scarce and determining which motor driver is experiencing a fault condition is not necessary. Note that the default state of the enable pin, EN, is LOW, which holds both motor driver chips in a low-current sleep mode. You will need to hold this pin high (either with an external connection or via the default-overriding jumper next to the pin) to allow the board to run.

Protection

The MC33926 has under-voltage, over-current, and over-temperature protection. Some protection events are indicated by the status flag pins (SF), which are active-low pins that can be connected to a single input. If the chip detects an over-current or over-temperature event, the SF is latched LOW and OUT1 and OUT2 are set to high-impedance. To unlatch the status flag pin toggle the D1, D2, EN or VIN lines. The carrier board has a reverse-protection MOSFET for added protection to the motor driver chips.

Real-World Power Dissipation Considerations

The MC33926 motor driver used on this carrier board has a maximum current rating of 5 A continuous. However, the chip by itself will overheat at lower currents. For example, in our tests at room temperature with no forced air flow, the chip was able to deliver 5 A for 5 s and 4 A for 18 s before the chip's thermal protection started reducing the current. A continuous current of 3 A was right at the over-temperature threshold; in some tests the thermal protection kicked in after a minute, and in other tests the chip delivered 3 A for over five minutes without triggering thermal protection. The actual current you can deliver will depend on how well you can keep the motor driver cool. The carrier's printed circuit board is designed to draw heat out of the motor driver chips, but performance can be improved by adding a heat sink. Our tests were conducted at 100% duty cycle; PWMing the motor will introduce additional heating proportional to the frequency.

Unlike other H-Bridges, the 33926 has a feature that allows it to gracefully reduce current as the current exceeds 5 A or as the chip temperature approaches its limit. This means that if you push the chip close to its limit, you will see less power to the motor, but it might allow you to avoid a complete shutdown.

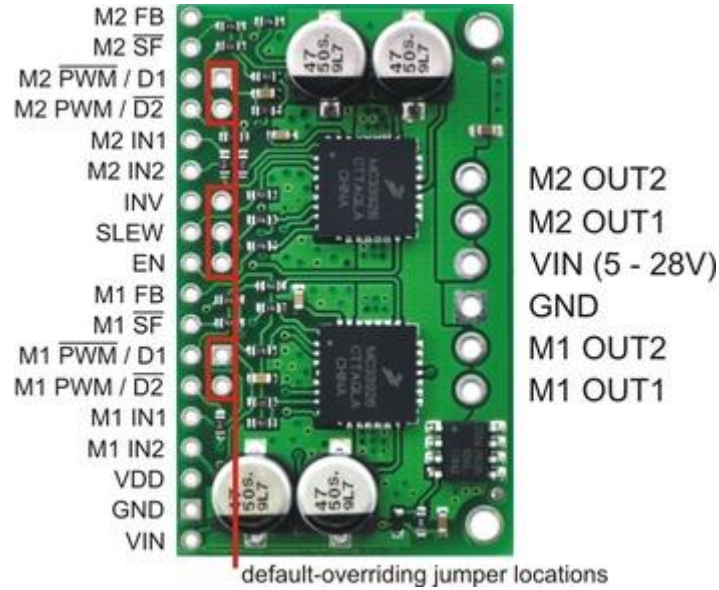
Absolute Maximum Ratings

| Symbol | Quantity | Maximum | Units |
|--------|------------------|---------|-------|
| Vcc | Supply Voltage † | 28 | V |

Pin Definitions and Ratings

| Pin | Default | Function |
|----------|---------|--|
| VIN | HIGH | Main 5-28V motor power supply connection |
| GND | LOW | Ground connection for logic and motor power supplies |
| OUT2 | HIGH | The motor output pin controlled by IN2 |
| OUT1 | HIGH | The motor output pin controlled by IN1 |
| VDD | HIGH | 3-5 V logic supply connection. This pin is used only for the SF pull-up and default-overriding jumpers; in the rare case where none of those features is used, VDD can be left disconnected |
| IN2 | HIGH | The logic input control of OUT2. PWM can be applied to this pin (typically done with both disable lines inactive) |
| IN1 | HIGH | The logic input control of OUT1. PWM can be applied to this pin (typically done with both disable pins inactive) |
| PWM / D2 | LOW | Disable input: when D1 is high, OUT1 and OUT2 are set to high impedance. A D1 PWM duty cycle of 70% gives a motor duty cycle of 30%. Typically, only one of the two disable pins is used, but the default is for both disable pins to be active. |
| PWM / D1 | HIGH | Disable input: when D1 is high, OUT1 and OUT2 are set to high impedance. A D1 PWM duty cycle of 70% gives a motor duty cycle of 30%. Typically, only one of the two disable pins is used, but the default is for both disable pins to be active. |
| SF | HIGH | Status flag output: an over-current (short circuit) or over-temperature event will cause SF to be latched LOW. If either of the disable pins (D1 or D2) are disabling the outputs, SF will also be LOW. Otherwise, this pin is weakly pulled high. This allows the two SF pins on the board to be tied together and connected to a single MCU input. |
| FB | LOW | The FB output provides analog current-sense feedback of approximately 525 mV per amp. |
| EN | LOW | Enable input: when EN is LOW, both motor ICs are in a low-current sleep mode. |
| SLEW | LOW | Output slew rate selection input. A logical LOW results in a slow output rise time (1.5 μ s – 6 μ s). A logical HIGH selects a fast output rise time (0.2 μ s – 1.45 μ s). This pin should be set HIGH for high-frequency (over 10 kHz) PWM. This pin determines the slew rate mode for both motor driver ICs. |
| INV | LOW | A logical high value inverts the meaning of IN1 and IN2 for both motor drivers. |

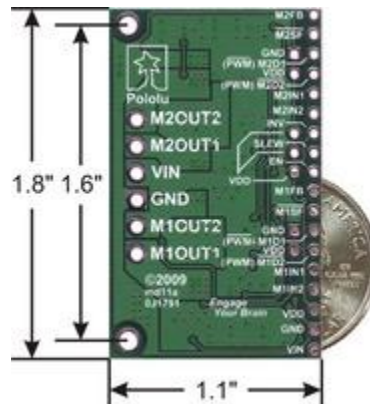
Connection Diagrams



Module Dimensions

Size: 1.10" x 1.8" (without included hardware)

Weight: 0.25 oz



Resources and Downloads

Check for the latest version of this document, free software from the Pololu Dual MC33926 Motor Driver Carrier product page. Go to www.parallax.com and search 28820.

Schematic

