

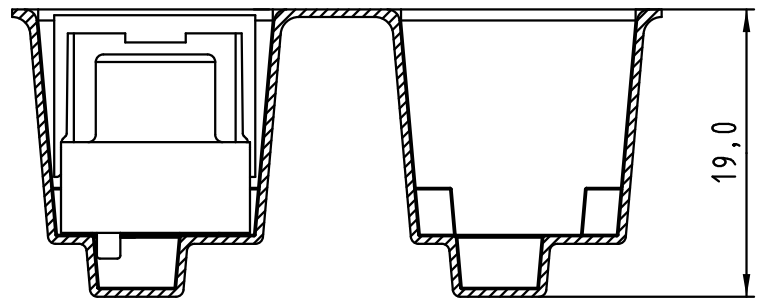
Max. Temperature: 260° during 10 seconds.

0955 229 3811 741	1	M3	Black insulator	Reel Packaging: 140 connectors (See details on page 2/2)
0955 229 3812 741	1	4-40 UNC		
0955 229 6811 741	2	M3		
0955 229 6812 741	2	4-40 UNC		
0955 229 7811 741	3	M3		
0955 229 7812 741	3	4-40 UNC		
Part number	PL	Nut	Index designation	
		Techn. Character.		Free size tolerances
		Dat.	Name	Scale
		Detail.	25-Oct-11 Johnson.S	2:1
		Insp.	17-Nov-11 Steven.W	
		Stand.	17-Nov-11 Steven.W	
EC04070	17-Nov-11	Johnson.S	Zhuhai HARTING Limited	
Mod.	Dat.	Name	TB 09 55 229 x81x	
			Sub.	Page 1/2

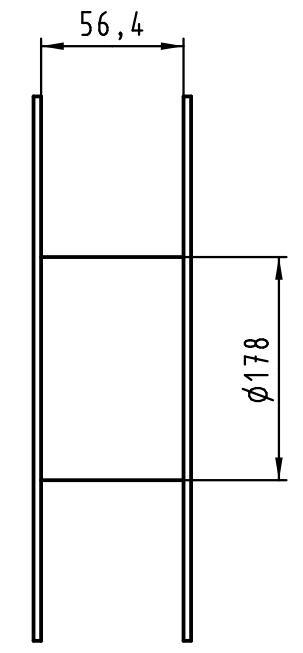
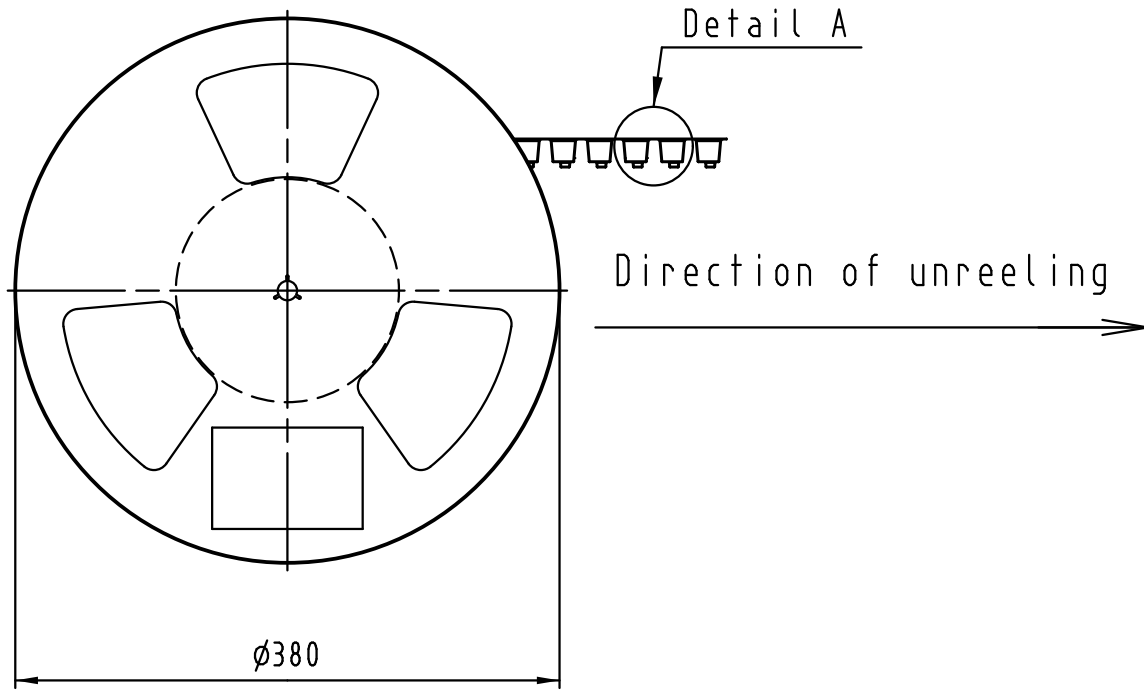
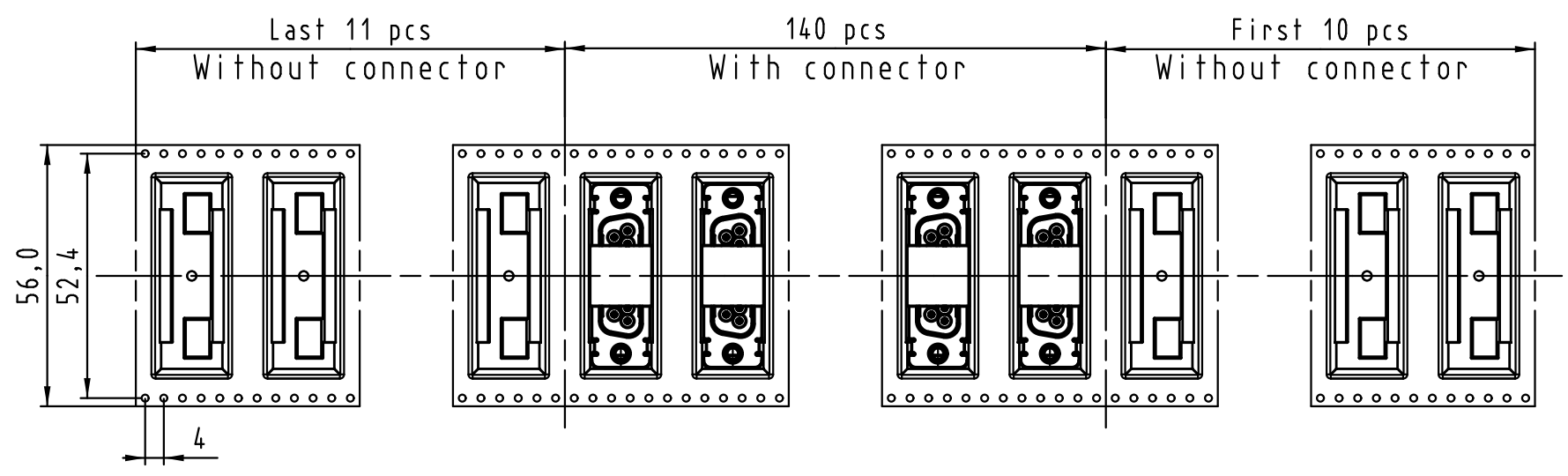
All rights reserved

1 2 4 5 6 7 8

A B C D E F



Detail A



See TB 09 55 229 x81x folio 1/2 for connector dimensions and PCB layout

Packaging in accordance with EIA 481-2.

0955 229 3811 741	1	M3	Black insulator	Reel Packaging: 140 connectors
0955 229 3812 741	1	4-40 UNC		
0955 229 6811 741	2	M3		
0955 229 6812 741	2	4-40 UNC		
0955 229 7811 741	3	M3		
0955 229 7812 741	3	4-40 UNC		
Part number	PL	Nut	Index designation	

	All Dimensions in mm Original Size DIN A 3			Techn. Character.			Free size tolerances		
EC04070	17-Nov-11	Johnson.S	Zhuhai HARTING Limited			TB 09 55 229 x81x			Page 2/2
Mod.	Dat.	Name	Sub.						

All rights reserved