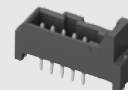




T2I-02-VT-T-S-TH



T2I-05-VT-T-S-TH



I2SS-05-24-T

(2.00 mm) .0787"

I2SS, T2I SERIES

DISCRETE WIRE IDC SYSTEM

Mates with:

T2I

SPECIFICATIONS

For complete specifications see www.samtec.com?I2SS

Insulator Material:

Black Nylon

Contact Material:

Phosphor Bronze

Plating:

Sn over 50 μ" (1.27 μm) Ni

Operating Temp Range:

-55 °C to +105 °C

(connector only)

RoHS Compliant:

Yes

PROCESSING

Lead-Free Solderable:

Yes

RECOGNITIONS

For complete scope of recognitions see www.samtec.com/quality



FILE NO. E111594

Note:

Some sizes, styles and options are non-standard, non-returnable.

I2SS

NO. OF POSITIONS

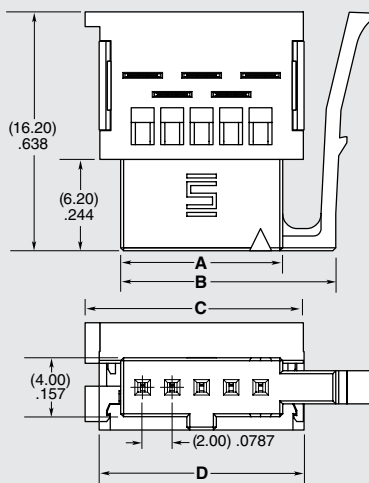
WIRE GAUGE

PLATING OPTION

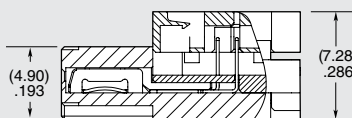
-02, -03, -04, -05

-24
= 24 AWG

-T
= Matte Tin



NO. OF POSITIONS	A	B	C	D
-02	(5.00) .197	(8.50) .335	(8.80) .346	(7.90) .311
-03	(7.00) .276	(10.50) .413	(10.80) .425	(9.90) .390
-04	(9.00) .354	(12.50) .492	(12.80) .504	(11.90) .469
-05	(11.00) .433	(14.50) .571	(14.80) .583	(13.90) .547



APPLICATION



Assemble with standard pliers. No special tooling required.

Mates with:

I2SS

SPECIFICATIONS

For complete specifications see www.samtec.com?T2I

Insulator Material:

Black LCP

Contact Material:

Phosphor Bronze

Plating:

Sn over 50 μ" (1.27 μm) Ni

Operating Temp Range:

-55 °C to +105 °C

(connector only)

RoHS Compliant:

Yes

PROCESSING

Lead-Free Solderable:

Yes

T2I

NO. OF POSITIONS

LEAD STYLE

PLATING OPTION

ROW

TAIL OPTION

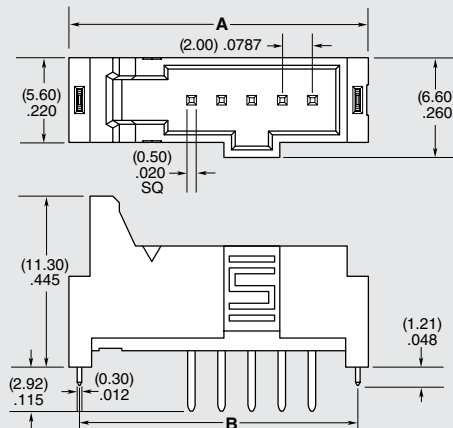
-02, -03, -04, -05

-VT
= Vertical

-T
= Matte Tin

-S
= Single Row

-TH
= Through-hole



NO. OF POSITIONS	A	B
-02	(13.80) .543	(12.40) .488
-03	(15.80) .622	(14.40) .567
-04	(17.80) .701	(16.40) .646
-05	(19.80) .780	(18.40) .724