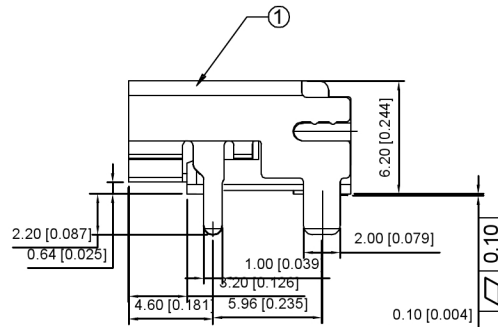
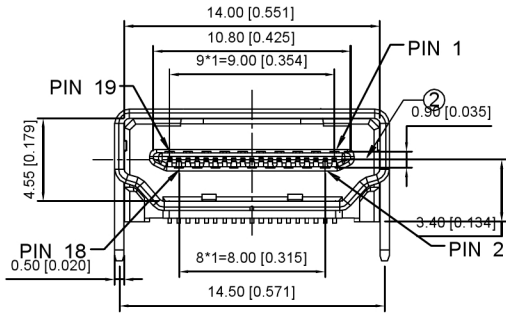


SPECIFICATIONS

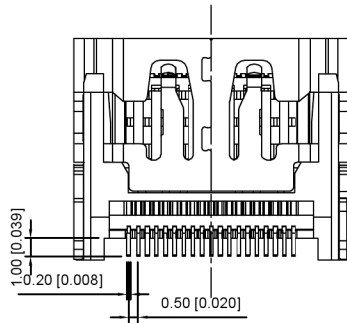
1. OPERATING CURRENT: 0.5A MAX.
2. OPERATION TEMPERATURE: -25°C TO +85°C
3. DIELECTRIC WITHSTANDING VOLTAGE:
500Volts AC BETWEEN ADJACENT TERMINAL (UNMATE)
300Volts AC BETWEEN ADJACENT TERMINAL (MATE)
4. INSULATION RESISTANCE:
100Mohm MIN (UNMATED); 10Mohm MIN. (MATED)
5. HDMI SPECIFICATION COMPLIANCE

RECOMMENDED P.C.B. LAYOUT (T: 1.20~1.60mm)
TOLERANCE UNSPECIFIED ±0.05mm



A71-05H5-1X1N1

- 1: Au 1U"
- 5: Au 15U"
- 6: Au 30U"



ROHS COMPLIANCE

| | | | |
|---|----------|----|---|
| 3 | CONTACTS | 19 | COPPER ALLOY, GOLD PLATED OVER NICKEL ON CONTACT AREA AND 100u" MIN. TIN PLATED OVER NICKEL ON SOLDER TAILS |
| 2 | HOUSING | 1 | THERMOPLASTIC UL94V-0 |
| 1 | SHELL | 1 | COPPER ALLOY, NICKEL PLATED |

广东星坤科技股份有限公司
文件工程章

| REVISIONS | DATE | REVISED | APPROVED | DESCRIPTION |
|-----------|------|---------|----------|-------------|
| | | | | |

| | | |
|---------------------------------------|-------------|-------------------------------|
| DSND | SCALE: N/A | MODEL TYPE: HDMI CONNECTOR |
| DWN | VIEW: | PART NO.: A71-05H5-1X1N1 |
| CHKD | UNIT: mm/in | DWG NO.: A71-05H5-1X1N1 |
| APPD | SIZE: A4 | WEIGHT |
| XKB INDUSTRIAL PRECISION CO., LIMITED | | SHEET |
| | | REVISION |
| | | 1/1 |
| | | A0 |

