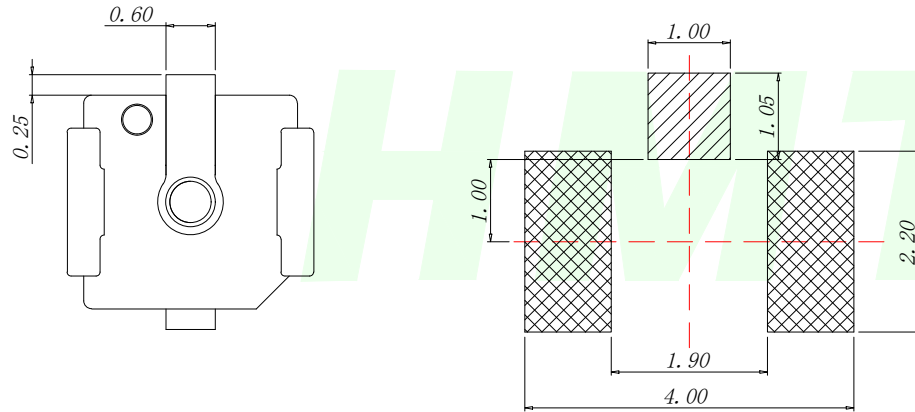
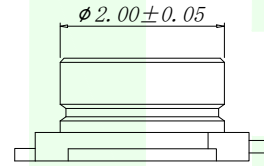
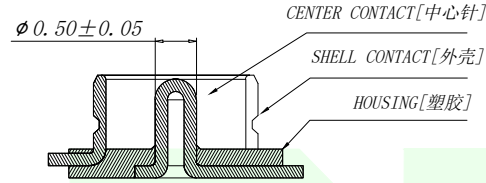
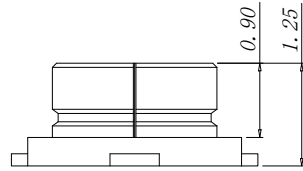
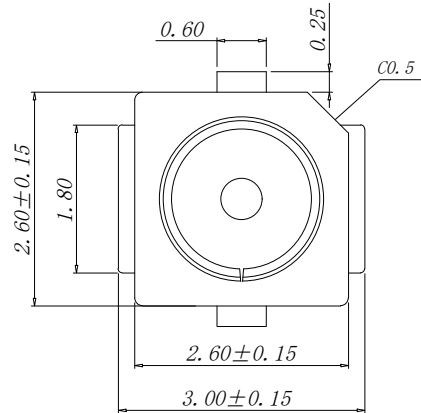


RoHS

VER	MARK	PR. BY	DESCRIPTION	DATE



RECOMMENDED PCB LAYOUT
(TOLERANCE: ±0.05)

- CENTER CONTACT
- GROUND CONTACT

NOTES

1.0. RATING (额定值) :

- 1.1. VOLTAGE (电压) : 60 VAC (R. M. S.)
- 1.2. NOMINAL CHARACTERISTIC IMPEDANCE (特性阻抗) : 50 Ohm
- 1.3. APPLICABLE FREQUENCY (适用频率) : DC ~ 6GHz
- 1.4. VSWR (电压驻波比) : 1.3 MAX. (DC~3GHz), 1.5 MAX. (3~6GHz)
- 1.5. TEMPERATURE (适用温度) : -40° C TO +85° C
- 1.6. APPLIED TO IR SOLDERING PROCESS (适用回流焊接方式)

2.0. MATERIAL SEE BILL OF MATERIAL (材料清单):

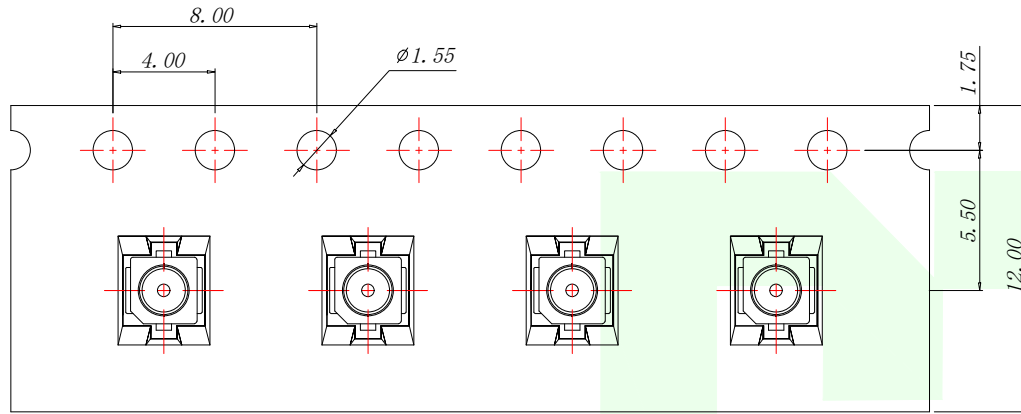
- 2.1. HOUSING (塑胶) : THERMOPLASTIC LCP, UL94V-0 (LCP符合UL94V-0),
- 2.2. CENTER CONTACT: COPPER ALLOY C5191
- 2.3. SHELL CONTACT (外壳) : COPPER ALLOY C5191 (铜合金C5191).

GENERAL TOLERANCES UNLESS SPECIFIED		深圳市华明通电子有限公司 Shenzhen Huamingtong Electronics Co., Ltd		
.X ±0.15	X.° ±2°	PART NO.	TITLE:	
.XX ±0.05	X.X° ±1°	IPEX001-2626-H125	MICRO RF 1 BAORD SMT 3 PADS TYPE	
.XXX ±0.05		DESIGN: James	CUSTOMER	SIZE
MANUFACTURE DWG		CHED: Talen		UNITS
		APPD: Sophia		MM
			SCALE	SHEET
			N:A	1/3

RoHS

VER	MARK	PR. BY	DESCRIPTION	DATE

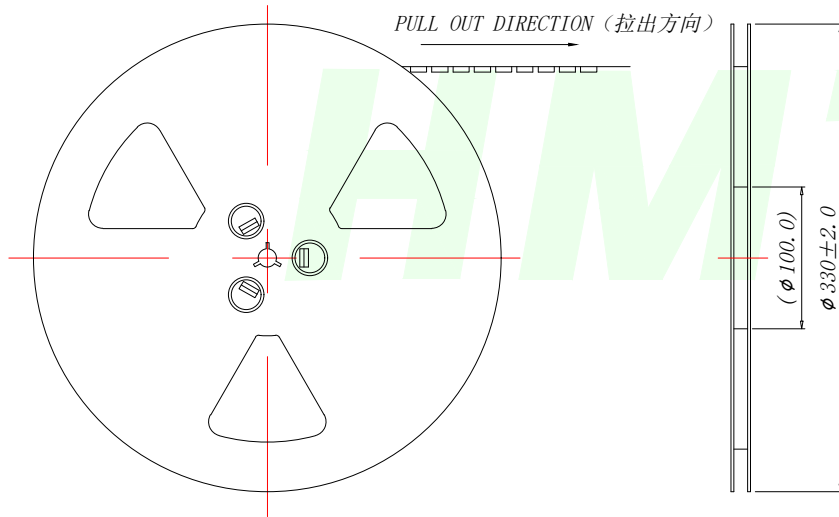
PULL OUT DIRECTION (拉出方向)



NOTES (备注):

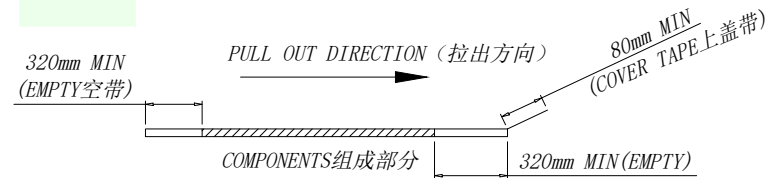
- MATERIAL (材料):
 - EMBOSSED CARRIER (载带): PET
 - COVER TAPE (盖带): PET
 - REEL (卷盘): PS
 - SHIPPING CARTON (包装箱): CORRUGATED FIBER (多层瓦楞纸)
- DIMENSION (尺寸):
 - REEL (卷盘): W=12.5
 - SHIPPING CARTON (包装箱): L=350, W=350, H=190
- QUANTITY (数量):
 - PRIMARY PACKING (基本包装): 5000PCS/REEL
 - CRITERION PACKING (标准包装): 10REELS/CARTON (10卷/箱50000PCS)
- WEIGHT (重量):
 - NET WEIGHT (净重): 0.50KG/REEL.
 - GROSS WEIGHT (总重): 0.50KG/REEL, 5.5KG/CARTON.
- PEELING RESISTANCE (盖带剥离力): 10gf~130gf.

PULL OUT DIRECTION (拉出方向)



320mm MIN
(EMPTY空带)

PULL OUT DIRECTION (拉出方向)



GENERAL TOLERANCES
UNLESS SPECIFIED

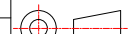
.X	±0.15	X.°	±2°
.XX	±0.05	X.X°	±1°
.XXX	±0.05		



深圳市华明通电子有限公司
Shenzhen Huamingtong Electronics Co., Ltd

PART NO.	TITLE:	
IPEX001-2626-H125	MICRO RF 1 BAORD SMT 3 PADS TYPE	
DESIGN: James	CUSTOMER	SIZE
CHED: Talen		A4
APPD: Sophia		UNITS
		MM
		SCALE
		N:A
		SHEET
		2/3

MANUFACTURE DWG

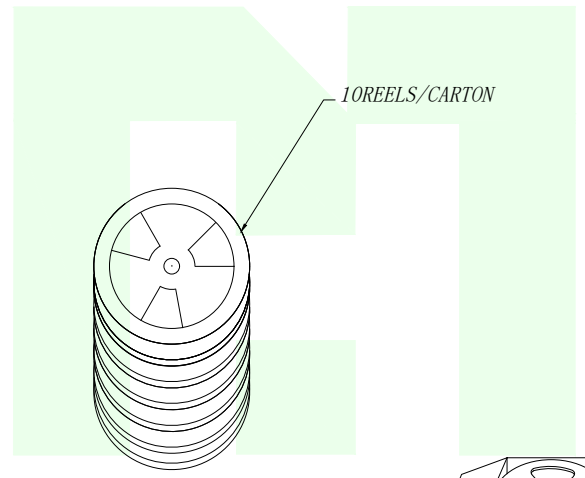
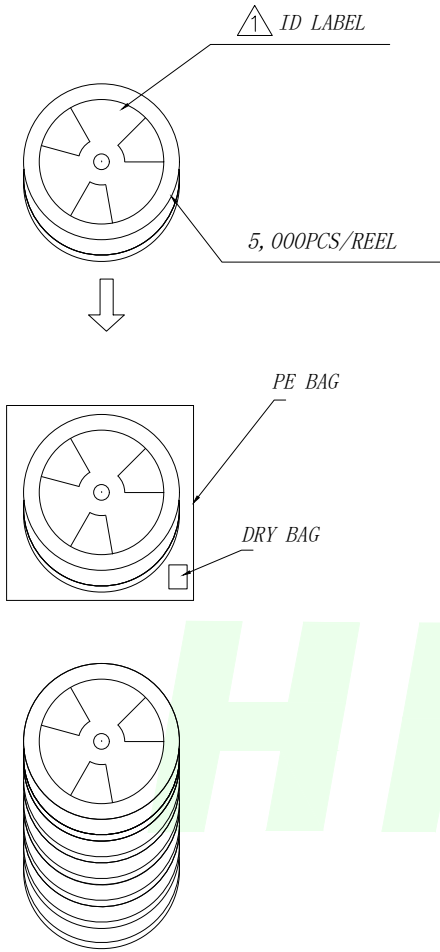


SCALE
N:A

SHEET
2/3

RoHS

VER	MARK	PR. BY	DESCRIPTION	DATE



10REELS/CARTON

品名 NAME: _____

料号 PART No.: _____

客户料号 CLIENT P/N: _____

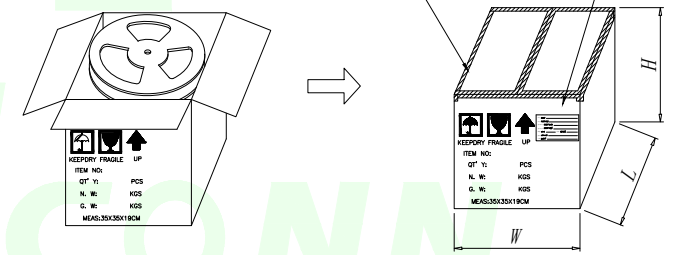
客户订单 CLIENT Pw: _____

数量 Q'TY: _____ 重量 WEIGHT: _____

批次 LOT No.: _____

日期 DATE: _____

ID LABEL



GENERAL TOLERANCES UNLESS SPECIFIED		 深圳市华明通电子有限公司 Shenzhen Huamingtong Electronics Co., Ltd	
.X ±0.15	X.° ±2°	PART NO.	TITLE:
.XX ±0.05	X.X° ±1°	IPEX001-2626-H125	MICRO RF I BAORD SMT 3 PADS TYPE
.XXX ±0.05		DESIGN: James	CUSTOMER
MANUFACTURE DWG		CHED: Talen	SIZE A4
		APPD: Sophia	UNITS MM
			SCALE N:A
			SHEET 3/3

