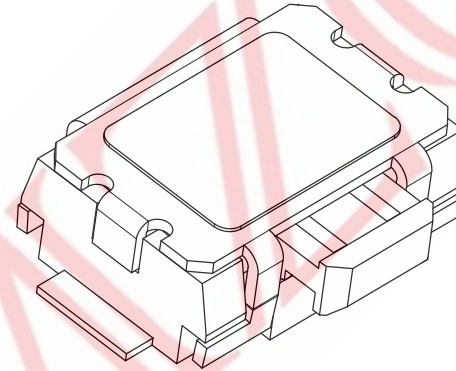
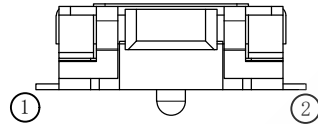
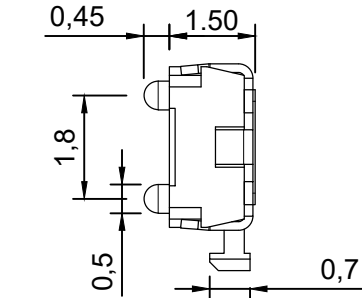
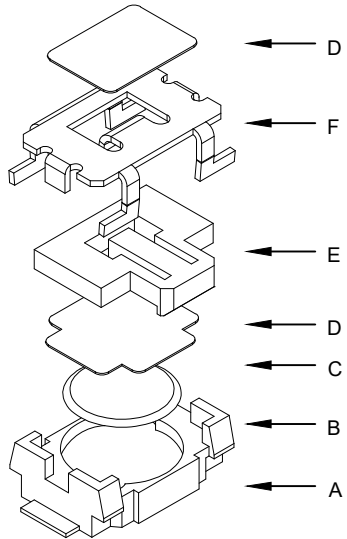


SAMZO REAC/ROHS

REV	ECN NO	DESCRIPTION	DESIGN	APPROVAL	DATE
A1	NEW	Replace frame			2018.06.12

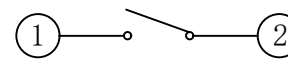
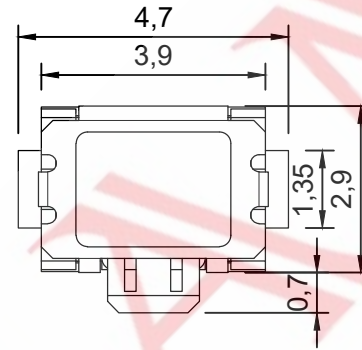


主要技术参数、性能  
The Main Thchnology Performance

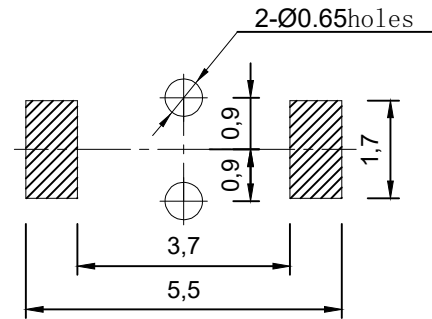
额定电流、电压 Rate voltage,current	50mA DC12V
接触电阻 Contact resistance	≤100mΩ
按力 Operating force	±100gf
行程 Travel	0.25±0.10mm
绝缘电阻 Insulated resistance	≥100MΩ
介电强度 Dielectric strength	≥250VAC/1min

C 5 A 150 \* 1 2 0  
A B C D E F G H

- A. 系列:C-微型侧按
- B. 贴装方式:5-卧式贴片
- C. 引脚规格:A-2PIN
- D. 操作高度:150-1.50mm
- E. 操作力度:1-160/2-260gf
- F. 操作寿命:1-30,000/次
- G. 固定方式:2-带柱
- H. 物料编码:0-常规



电路图  
CIRCUIT DIAGRAM



PCB. 焊接图  
PCB. WELDING DRAWING

F	E	D	C	B	A
盖板	按钮	防水层	弹片	本体	卡件
不锈钢	PPA	聚酰亚胺	不锈钢	LCP	磷铜
1	1	/	1	1	1
清洗	黑色	橙黄色	镀银	黑色	镀银

DESIGN	WANGGUIFA	2018.06.12	≥2~5<	±0.25
CHECKED	ZHENGUILAN	2018.06.12	≥0~2<	±0.15
APPROVED	LILIANJIANG	2018.06.14	≥5	±0.35

FIRST VIEW			
SCALE	1:1	UNIT	mm

The copyright belongs to samzo parts [China] Co., Ltd. please use the material after samzo parts agree to authorize. The final right of interpretation belongs to samzo parts.  
WWW.KKK-JP.COM

TITLE::	2.9*3.9*1.5 侧按两脚小龟
DWG NO:	C5A150-P0600
PART NO:	C5A1501600
MODEL NO:	C5A150-* -120
NAME:	TACT SWITCH

SAMZO COMPONENTS  
Electronic switch and connector manufacturer