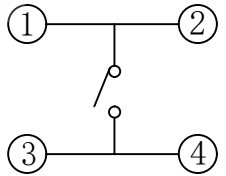
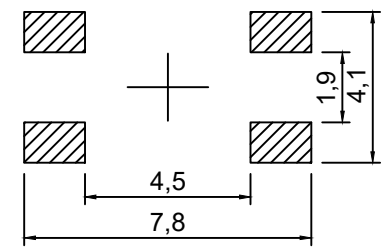
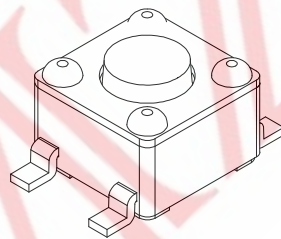
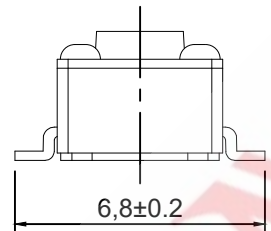
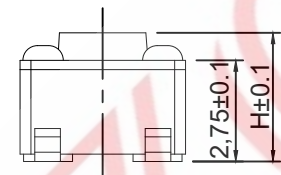
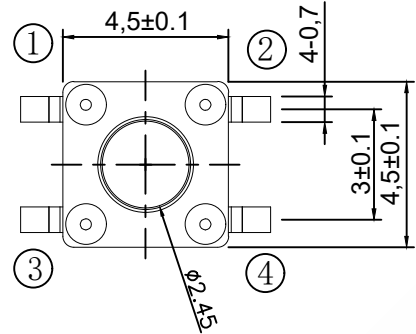
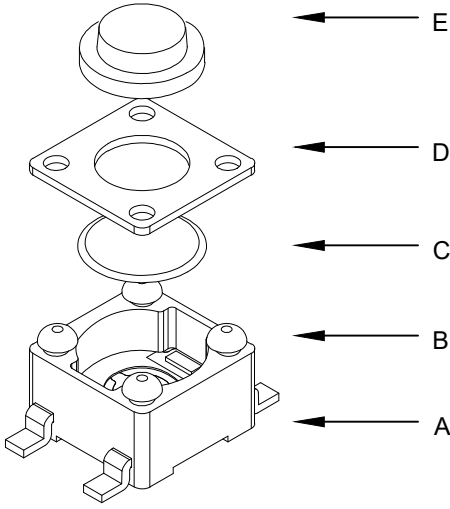


1 SAMZO 2 REAC/ROHS

REV	ECN NO	DESCRIPTION	DESIGN	APPROVAL	DATE
A1	NEW	Replace frame			2018.06.12

主要技术参数、性能
The Main Thchnology Performance

额定电流、电压 Rate voltage, current	50mA DC12V
接触电阻 Contact resistance	≤100mΩ
按力 Operating force	±50gf
行程 Travel	0.2±0.10mm
绝缘电阻 Insulated resistance	≥100MΩ
介电强度 Dielectric strength	≥250VAC/1min



电路图
CIRCUIT DIAGRAM

PCB. 焊接图
PCB. WELDING DRAWING

- F 1 B * * * * 1 T
- A B C D E F G H

- A. 系列:F-4.5*4.5系列
- B. 贴装方式:4-180° SMT
- C. 引脚规格:B-4P
- D. 操作高度:035-3.5/038-3.8/045-4.5/100-10.0mm (3.5-10.0)
- E. 操作力度:1-180gf/2-260gf
- F. 操作寿命:1-100,000次/2-300,000次/3-500,000次
- G. 固定方式:1-无柱
- H. 物料编码:T-常规(确认待编)

ITEM	DESCRIPTION	MATERIAL	QTY	FINISH/COLOR					
E	按钮	PPA	1	黑色	GENERAL TOLERANCE				
D	盖板	铁	1	镀铜银	≥0~2<	±0.15	SCALE 1:1 UNIT mm		
C	弹片	不锈钢	1	镀银	DESIGN	WANGGUIFA	2018.06.12	≥2~5<	±0.25
B	本件	PPA	1	黑色	CHECKED	ZHENGUILAN	2018.06.12	≥0~2<	±0.15
A	卡件	黄铜	1	镀银	APPROVED	LILIANJIANG	2018.06.14	≥5	±0.35

FIRST VIEW

The copyright belongs to samzo parts [China] Co., Ltd. please use the material after samzo parts agree to authorize. The final right of interpretation belongs to samzo parts. WWW.KKK-JP.COM

SAMZO COMPONENTS
Electronic switch and connector manufacturer

TITLE: 4.5*4.5*H SMT
DWG NO: F4B-P45047
PART NO: F1B100177
MODEL NO: F4B***-**-1T
NAME: TACT SWITCH