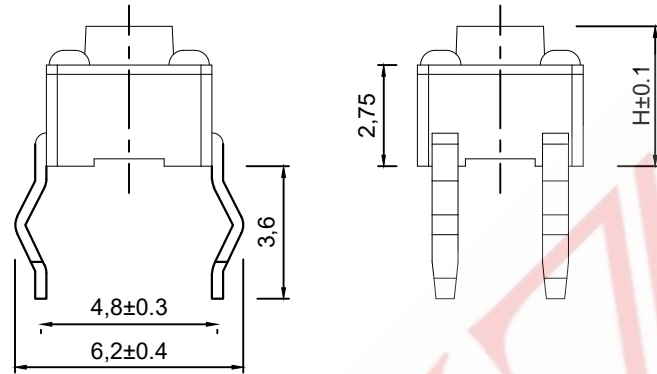
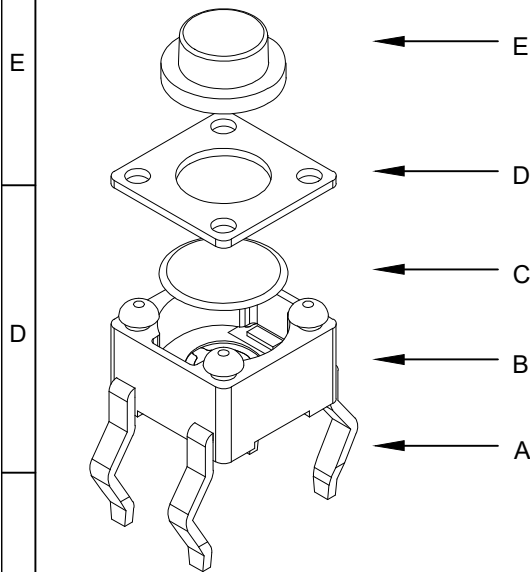


1 SAMZO 2 REAC/ROHS

6		7		8	
REV	ECN NO	DESCRIPTION	DESIGN	APPROVAL	DATE
A1	NEW	Replace frame			2018.06.12

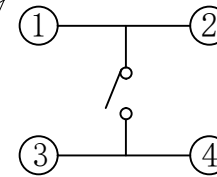
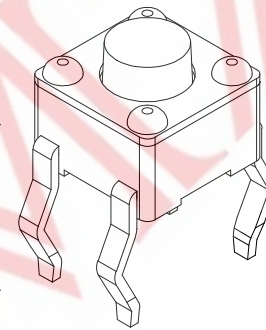
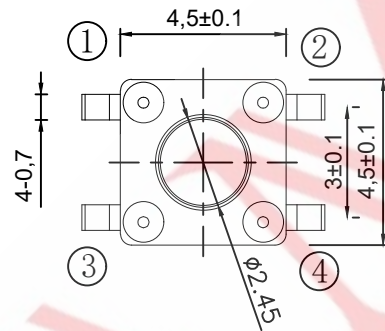


主要技术参数、性能
The Main Thchnology Performance

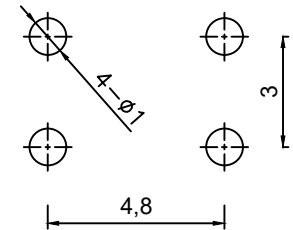
额定电流、电压 Rate voltage. current	50mA DC12V
接触电阻 Contact resistance	≤100mΩ
按力 Operating force	±50gf
行程 Travel	0.2±0.10mm
绝缘电阻 Insulated resistance	≥100MΩ
介电强度 Dielectric strength	≥250VAC/1min

- C
- | | | | | | | | | |
|---|---|---|---|---|---|---|---|---|
| F | 1 | B | * | * | * | * | 1 | T |
| A | B | C | D | E | F | G | H | |

- A. 系列:F-4.5*4.5系列
 B. 贴装方式:1-立式插件
 C. 引脚规格:B-4P
 D. 操作高度:035-3.5/038-3.8/045-4.5/100-10.0mm (3.5-10.0)
 E:操作力度:1-180gf/2-260gf
 F:操作寿命:1-100,000次/2-300,000次/3-500,000次
 G:固定方式:1-无柱
 H:物料编码:T-常规(确认待编)



电路图
CIRCUIT DIAGRAM



PCB. 焊接图
PCB. WELDING DRAWING

ITEM	DESCRIPTION	MATERIAL	QTY	FINISH/COLOR				
E	按钮	PPA	1	黑色	GENERAL TOLERANCE			
D	盖板	铁	1	镀铜银	≥0~2<	±0.15		
C	弹片	不锈钢	1	镀银	DESIGN	WANGGUIFA	2018.06.12	≥2~5< ±0.25
B	本件	PPA	1	黑色	CHECKED	ZHENGUILAN	2018.06.12	≥0~2< ±0.15
A	卡件	黄铜	1	镀银	APPROVED	LILIANJIANG	2018.06.14	≥5 ±0.35

FIRST VIEW

SCALE 1:1 UNIT mm

The copyright belongs to samzo parts [China] Co., Ltd. please use the material after samzo parts agree to authorize. The final right of interpretation belongs to samzo parts. WWW.KKK-JP.COM

SAMZO COMPONENTS
Electronic switch and connector manufacturer

TITLE: 4.5*4.5*H DIP
DWG NO: F1B-P4507
PART NO: F1B100173
MODEL NO: F1B***-*-1T
NAME: TACT SWITCH