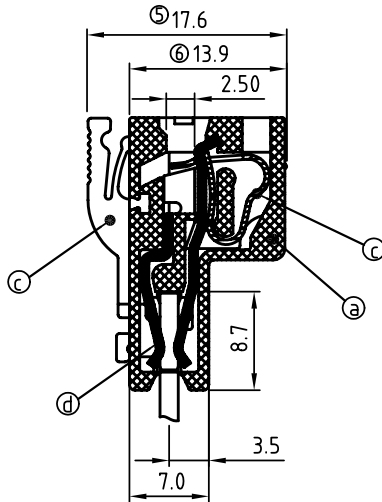
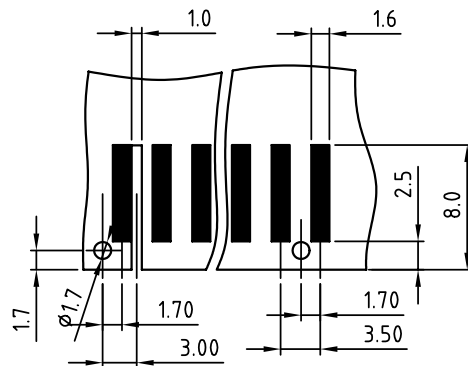
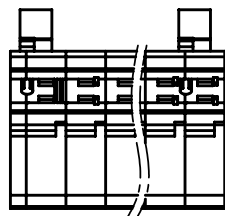
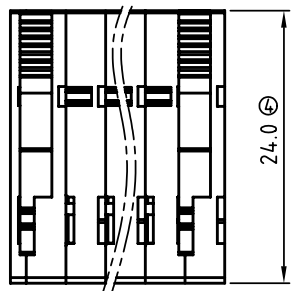
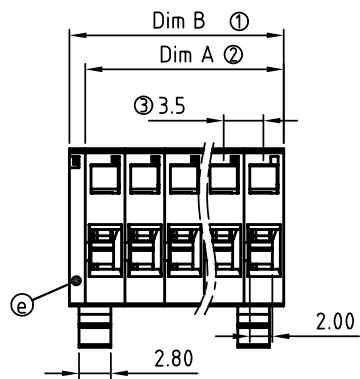


SIGN	DATE	DESCRIPTION	APPROVER
△			
THIS IS CAD DRAWING, DO NOT REVISE MANUALLY!!!			



Material

- Item (a) Insulator (Body): Thermoplastic (UL94V-0)
- Item (b) Insulator (Lever): Thermoplastic (UL94V-0)
- Item (c) Spring clamp : Stainless Steel
- Item (d) Female Contact : PhBz(CuSn), Tin plated
- Item (e) Insulator (Cover): Thermoplastic (UL94V-0)

Electrical

- Voltage rating: 300VAC
- Current rating: 8A
- Solid wire(AWG): 16 ~ 26
- Stranded wire(AWG): 16 ~ 26
- Wire strip length: 7.8mm
- Withstanding Voltage: 1.6KV
- Size of the PCB: 1.6±0.2mm
- Operating temperature: -40°C to +115°C

ND xx 10 x 0 xxxx G

02	2 CONTACTS	0	Black	0000:"@Logo (Standard)	Pb < 40,000ppm
03	3 CONTACTS	5	Green	000A:"ANYTEK"Logo	(RoHS)
...	...	6	Blue	Any special item by customer request, please contact sales department.	
24	24 CONTACTS	8	Grey		

Poles	2	3	4	5	6	7	8	9	10	11	12	13
Dim A	7.0	10.5	14.0	17.5	21.0	24.5	28.0	31.5	35.0	38.5	42.5	45.5
Dim B	8.4	11.9	15.4	18.9	22.4	25.9	29.4	32.9	36.4	39.9	43.4	46.9
TOL	±0.15						±0.20					
Poles	14	15	16	17	18	19	20	21	22	23	24	
Dim A	49.0	52.5	56.0	59.5	63.0	66.5	70.0	73.5	77.0	80.5	84.0	
Dim B	50.4	53.9	57.4	60.9	64.4	67.9	71.4	74.9	78.4	81.9	85.4	
TOL	±0.30				0.35							

ANYTEK				CUSTOMER COPY			
ALL RIGHTS RESERVED. REPRODUCTION OR ISSUE TO THIRD PARTIES IN ANY FORM WHATSOEVER IS NOT PERMITTED WITHOUT WRITTEN AUTHORITY FROM THE PROPRIETOR. PROPERTY OF ANYTEK TECHNOLOGY CO., LTD							
TITLE		ND3.5 Series					
PART NO.		NDxx10x0xxxxG			DWG NO.		8ND0001
APPROVED		CHECKED	DESIGNED	DRAWN	CUST NO.		Tolerance
			Jacke	Jacke			X. ±0.5
			2009.07.16	2009.07.16			X.X ±0.3
							X.XX ±0.1
					SHEET: 01/01		X° ±1°
					REV.: B		