

(5.08 mm) .200"

PSS SERIES

# POWER SOCKET STRIP

## SPECIFICATIONS

For complete specifications and recommended PCB layouts see [www.samtec.com?PSS](http://www.samtec.com?PSS)

**Insulator Material:**

Black LCP

**Contact Material:**

BeCu

**Plating:**

Sn over 50  $\mu$ " (1.27  $\mu$ m) Ni

**Current Rating (PSS/FWS):**

11.4 A per pin

(1 pin powered)

**Insertion Depth:**

(2.62 mm) .103" to

(5.03 mm) .198"

**Voltage Rating:**

500 VAC mated with FWS

**RoHS Compliant:**

Yes

**Mates with:**

FWS, HFWS, SW, HPM, HPW

## PROCESSING

**Lead-Free Solderable:**

Yes

**SMT Lead Coplanarity:**

(0.15 mm) .006" max (02-14)\*

(0.20 mm) .008" max (15-20)\*

\*(.004" stencil solution

may be available; contact

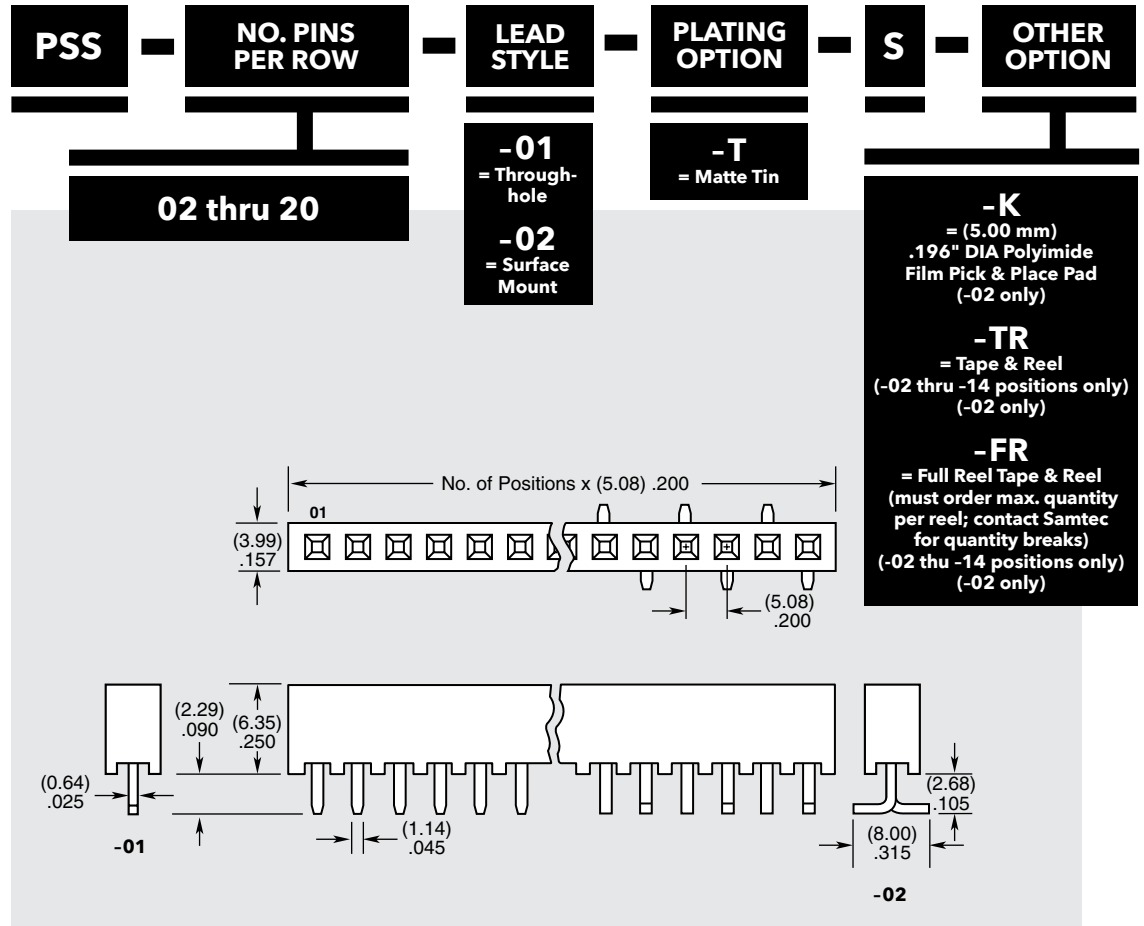
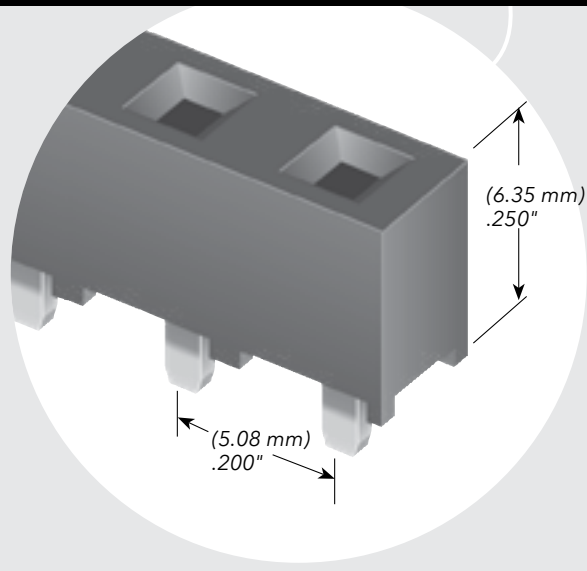
ipg@samtec.com)

## RECOGNITIONS

For complete scope of

recognitions see

[www.samtec.com/quality](http://www.samtec.com/quality)



**Note:**  
Some lengths, styles and options are non-standard, non-returnable.