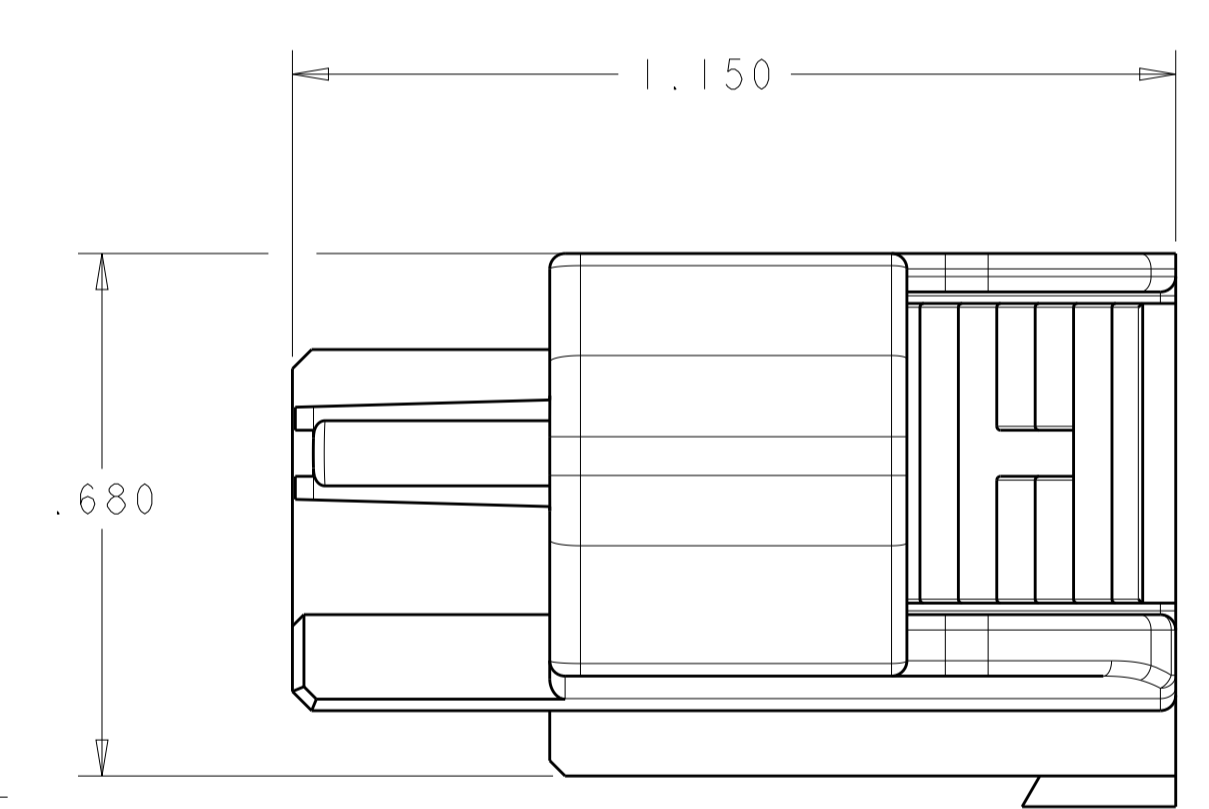
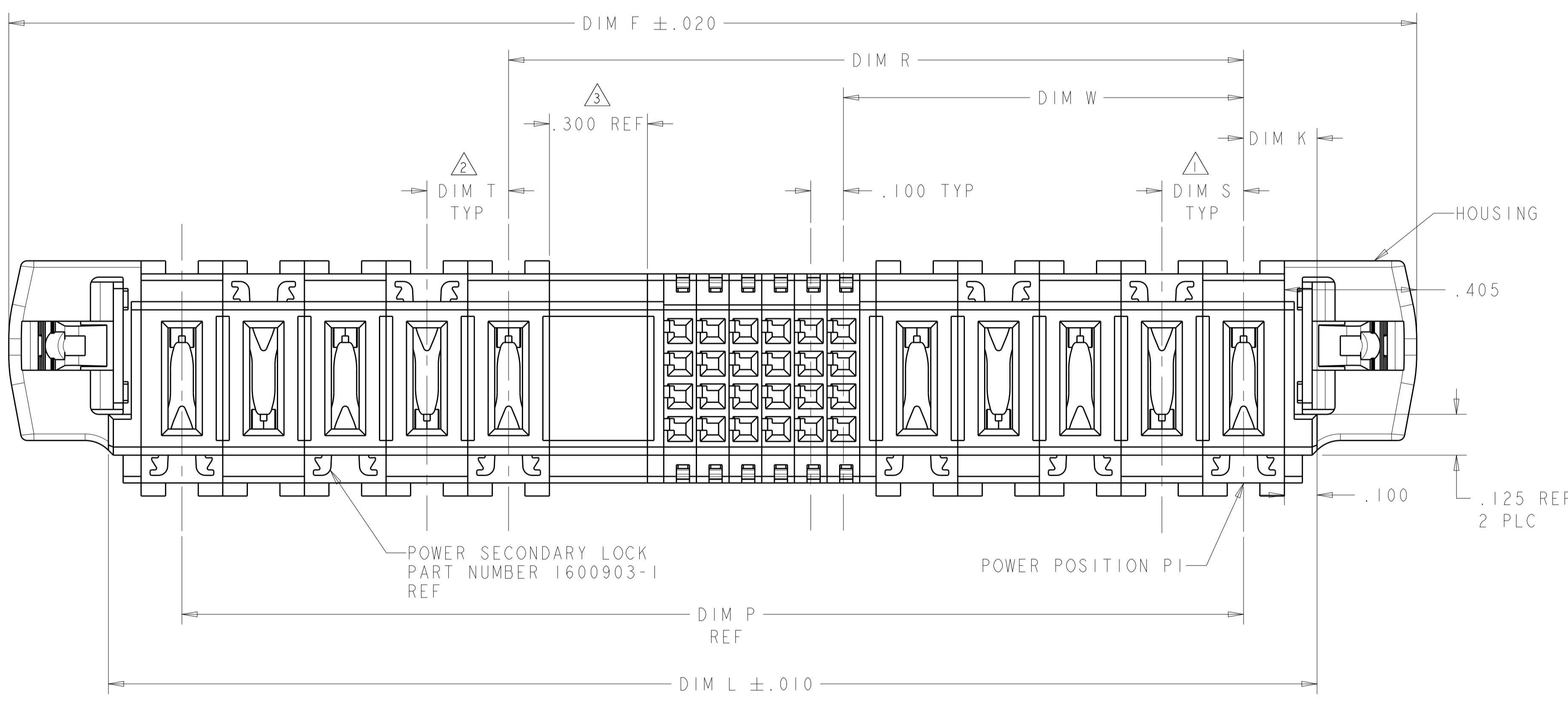
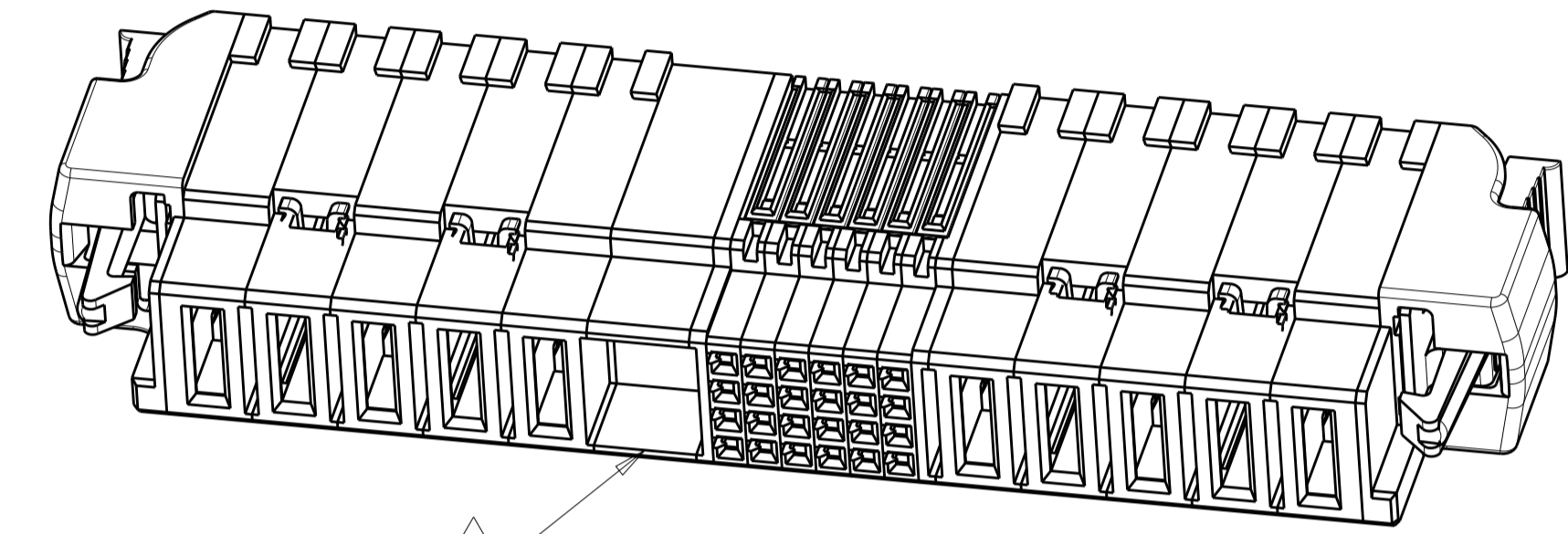
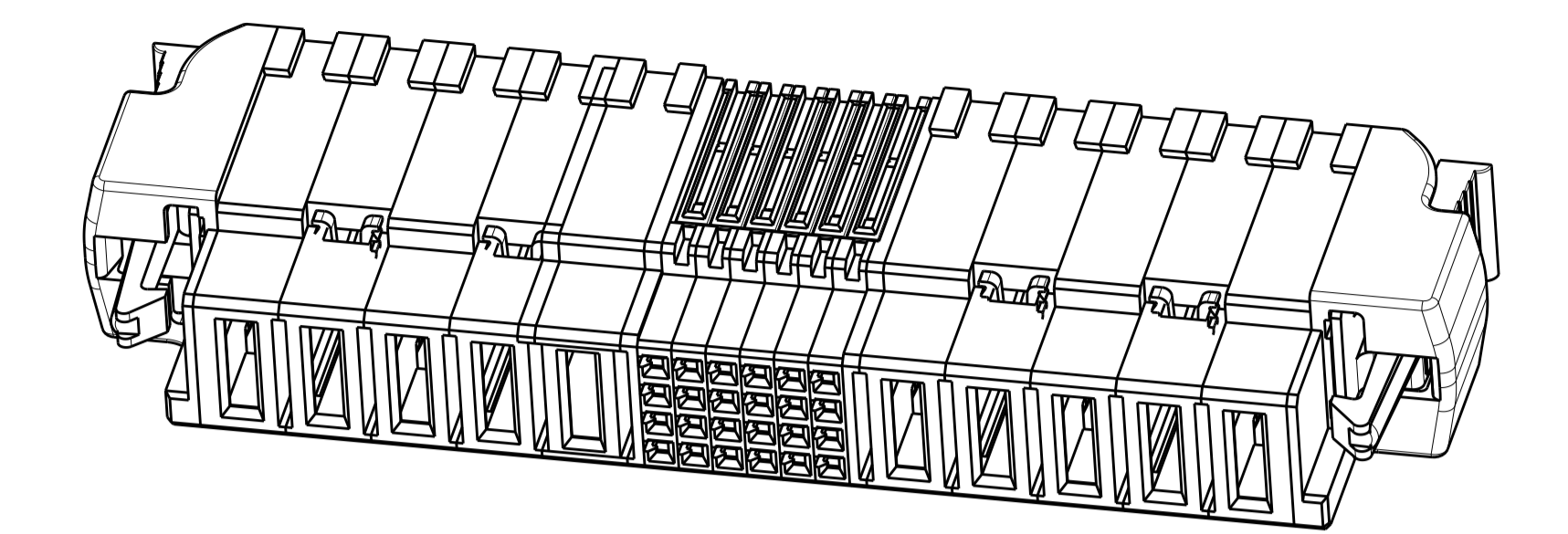
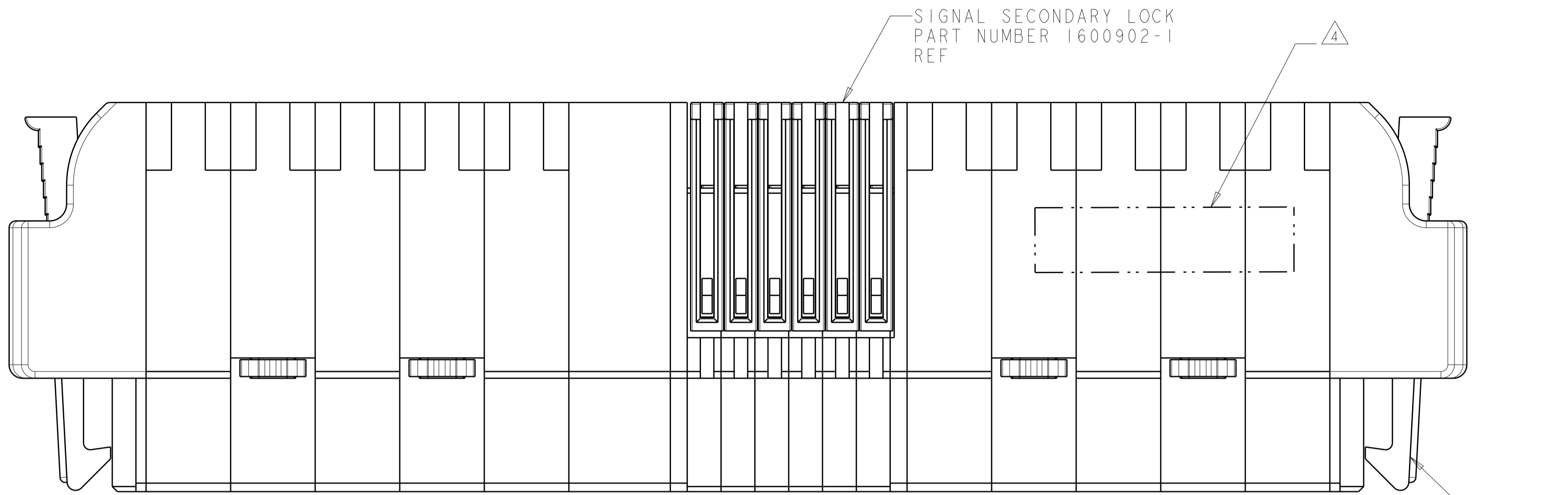


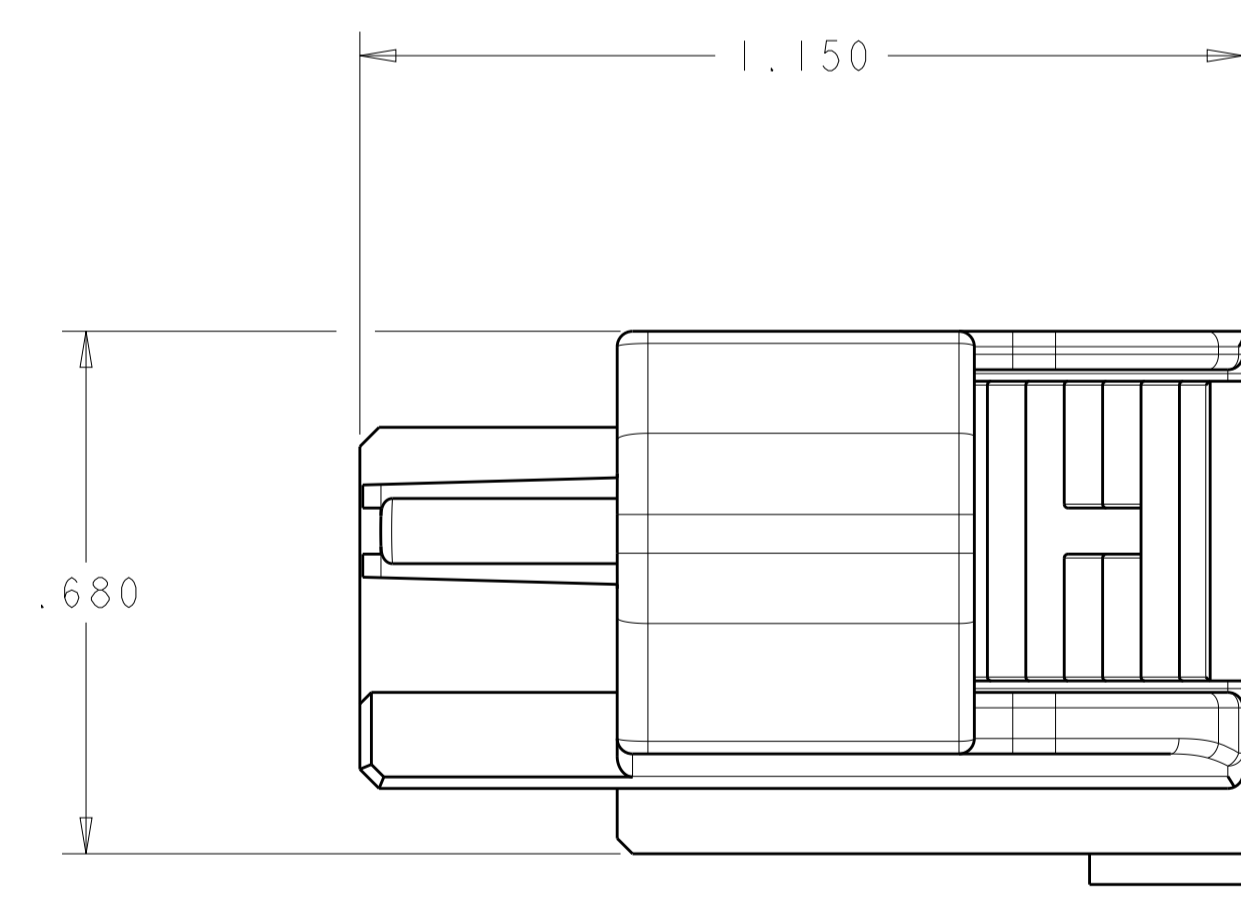
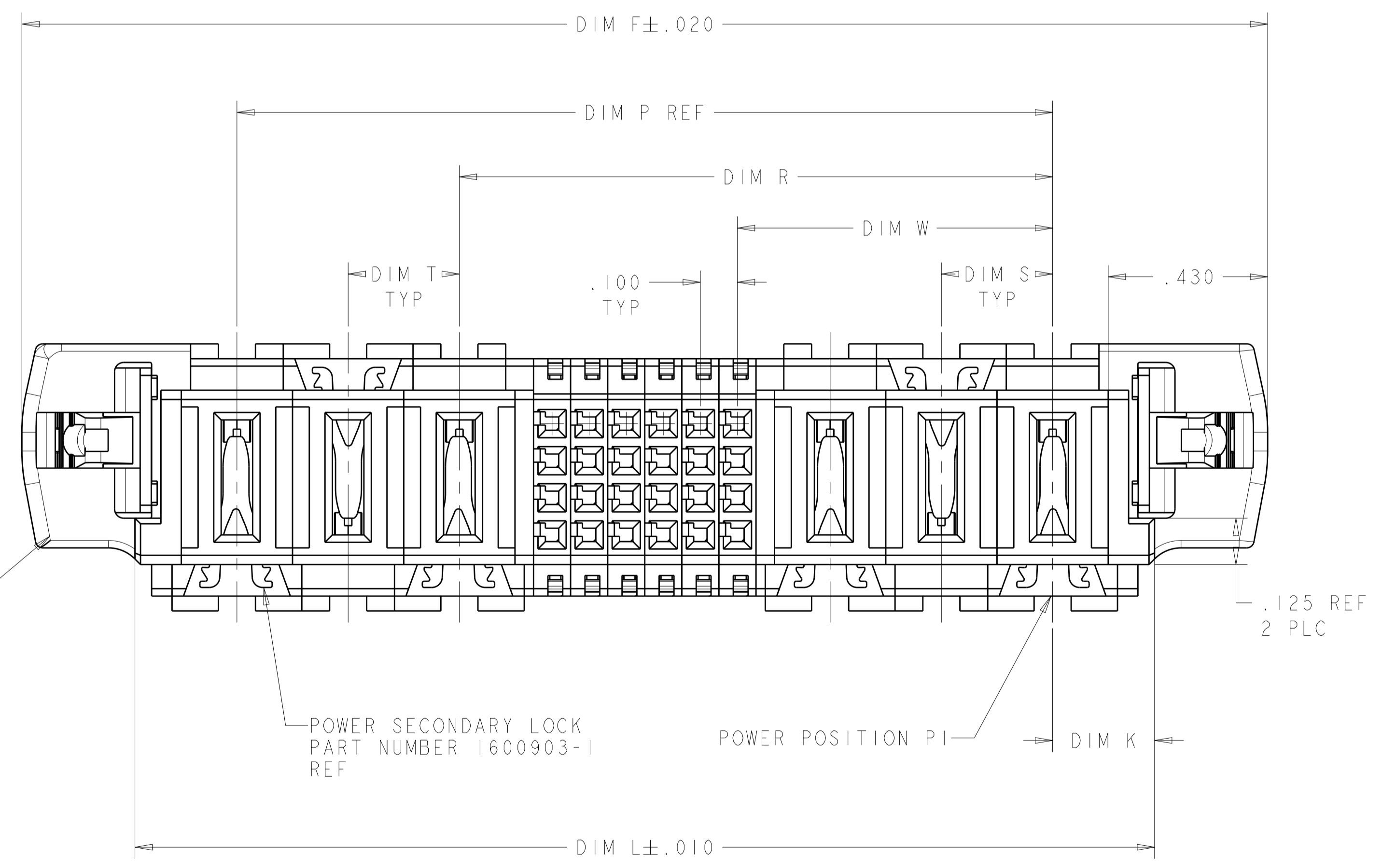
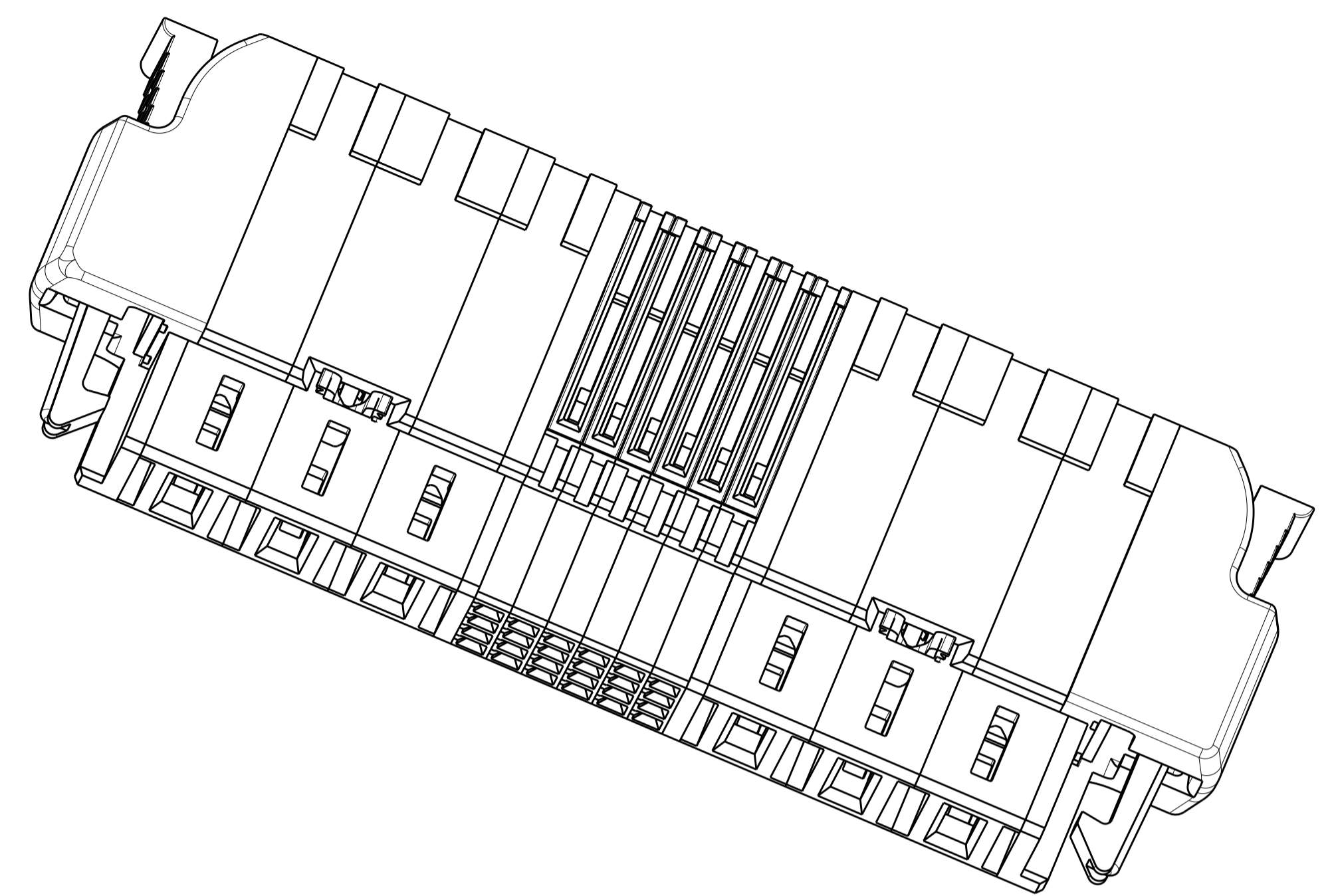
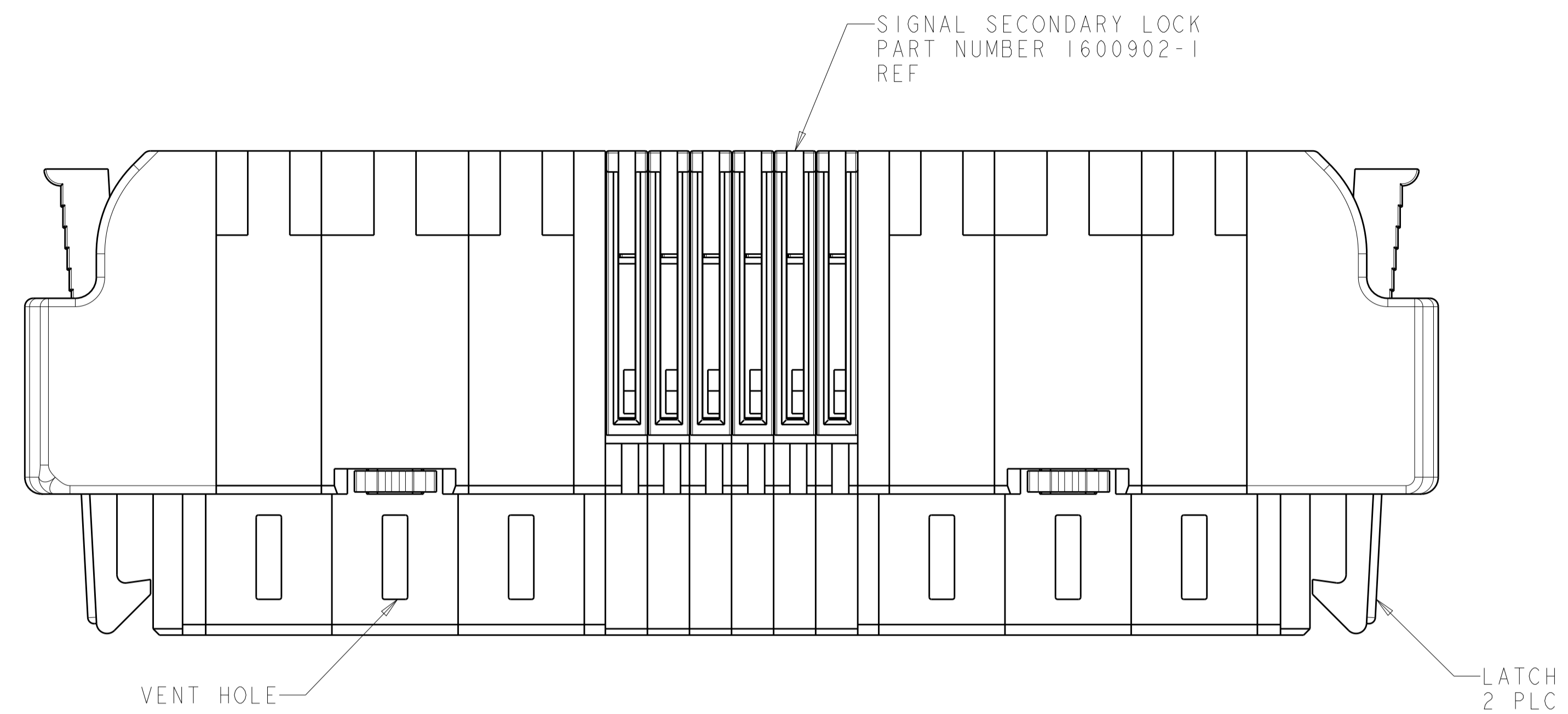
| LOC | DIST | REVISIONS | | | | | |
|-----|------|-----------|-----|-----------------------------------|-----------|-----|------|
| | | P | LTH | DESCRIPTION | DATE | DWN | APVD |
| ES | 00 | L6 | | ADDED NEW DASH NUMBER 3-9 | 01MAR2016 | CZ | SZ |
| | | L7 | | ADDED NEW DASH NUMBER 4-0 AND 4-1 | 13APR2016 | CZ | SZ |



- ① DIM S IS CENTERLINE SPACING OF POWER MODULE ON RIGHT SIDE OF HOUSING.
- ② DIM T IS CENTERLINE SPACING OF POWER MODULE ON LEFT SIDE OF HOUSING.
- ③ OPTIONAL CENTER MODULE
- ④ COMPANY TRADEMARK, PART NUMBER, AND DATE CODE TO BE MARKED IN APPROX AREA SHOWN. PARTS UNDER 2.00 LONG MAY BE MARKED ON BOTH SIDES.
- ⑤ THERMO PLASTIC, UL94 V-0, BLACK
- ⑥ VARIABLE DIMENSIONS SHOWN ON VIEW (SHEET 2).
- ⑦ NOT RELEASED FOR PRODUCTION.
- ⑧ DIMENSIONS FOR CONFIGURATION "S" PLEASE REFER TO SHEET 3.
- ⑨ THE CONFIGURATION WITH VENT, PLEASE REFER TO SHEET 2.

| | | | | |
|---|--|---|---------|------------------|
| THIS DRAWING IS A CONTROLLED DOCUMENT. | | DWN R. GRZYBOWSKI CHK P. DAMATO | TOMAY05 | TE Connectivity |
| DIMENSIONS: INCHES | | APVD P. DAMATO | TOMAY05 | |
| TOLERANCES UNLESS OTHERWISE SPECIFIED: | | NAME SQUEEZE TO RELEASE CABLE RECEPTACLE ASSEMBLY W/ LATCHES AND KEY, MULTI-BEAM XLE | | RESTRICTED TO |
| 0 PLC ±. 1 PLC ±.01 2 PLC ±.005 3 PLC ±.005 4 PLC ±.0020 ANGLES ±.0020 | | PRODUCT SPEC 108-2157 APPLICATION SPEC 114-13112 | | |
| MATERIAL ⑤ | | SIZE CAGE CODE DRAWING NO A100779C=1600788 | | Customer Drawing |
| | | SCALE 4:1 | | SHEET 1 OF 7 |
| | | | | REV L7 |

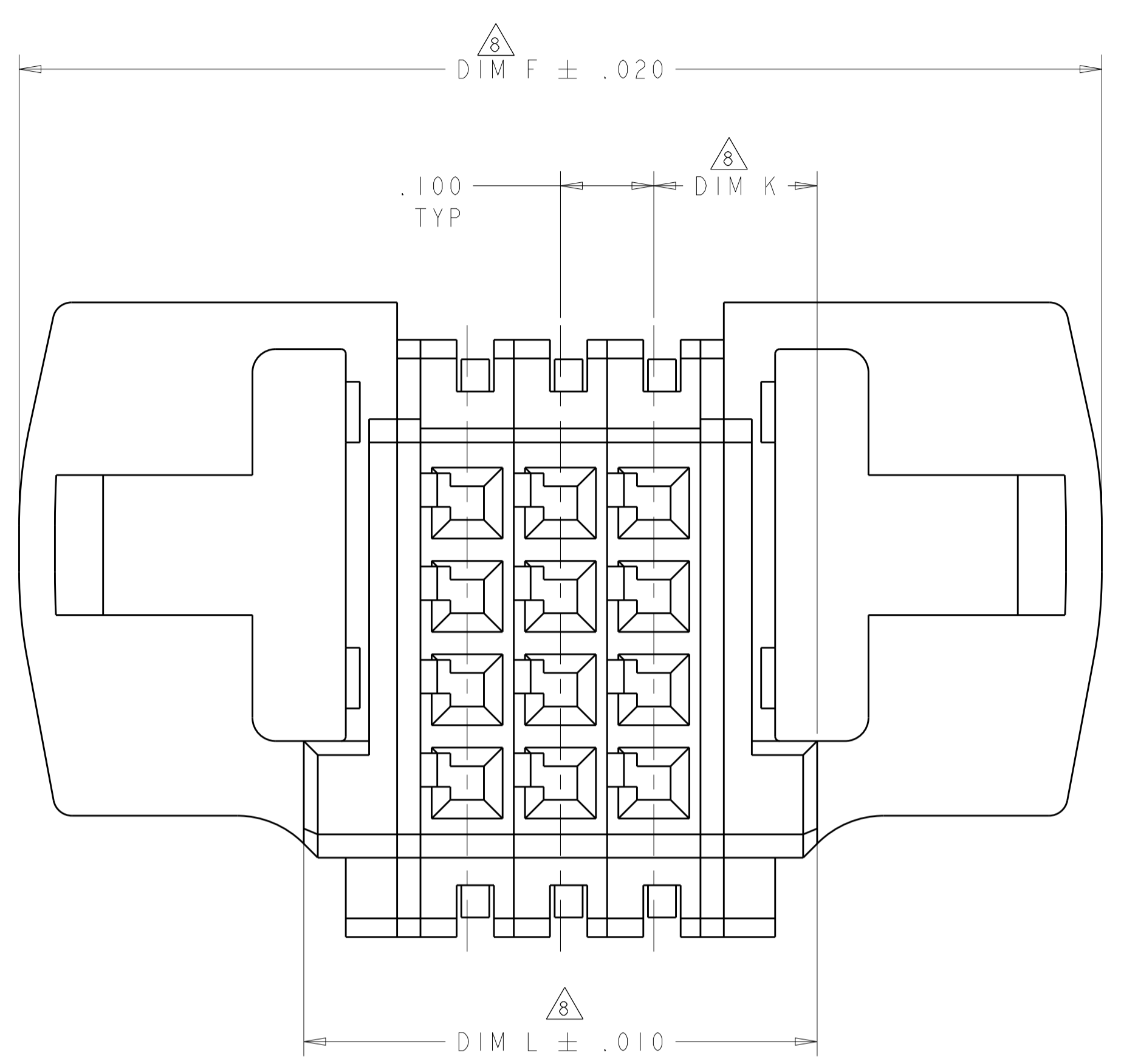
| LOC | DIST | REVISIONS | | | |
|-----|------|-------------|------|-----|------|
| P | LTN | DESCRIPTION | DATE | DMN | APVD |
| - | - | SEE SHEET 1 | - | - | - |



(K2) THE CONFIGURATION WITH VENT HOLES
PART NO.: 2-1600788-6

| | | | | | |
|--|--|---|-------------------------------|---|---------------|
| THIS DRAWING IS A CONTROLLED DOCUMENT. | | DMN R. GRZYBOWSKI CHK P. DAMATO APVD P. DAMATO | TOMAY05 TOMAY05 TOMAY05 | TE Connectivity NAME SQUEEZE TO RELEASE CABLE RECEPTACLE ASSEMBLY W/ LATCHES AND KEY, MULTI-BEAM XLE PRODUCT SPEC 108-2157 APPLICATION SPEC 114-13112 SIZE CAGE CODE DRAWING NO A100779C=1600788 | RESTRICTED TO |
| DIMENSIONS: INCHES | TOLERANCES UNLESS OTHERWISE SPECIFIED: 0 PLC ±. 1 PLC ±.01 2 PLC ±.005 3 PLC ±.005 4 PLC ±.0020 ANGLES ±.0° | WEIGHT Customer Drawing | SCALE 4:1 SHEET 1 OF 6 REV L7 | | |

| LOC | | DIST | | REVISIONS | | | |
|-----|-----|-------------|------|-----------|------|---|---|
| P | LTN | DESCRIPTION | DATE | DMN | APVD | | |
| - | - | SEE SHEET 1 | - | - | - | - | - |



FOR CONFIGURATION "S"
 PART 2-1600788-7

| CENTER MODULE | DIM P | DIM W | DIM T | DIM S | DIM R | DIM L | DIM K | DIM F | DESCRIPTION | PART NUMBER |
|---------------|-------|-------|-------|-------|-------|-------|-------|-------|-------------------|-------------|
| NO | .950 | .375 | .200 | .200 | .950 | 1.600 | .225 | 2.210 | 2P + 20S + 2P | 4-1600788-1 |
| NO | .850 | .175 | - | - | .850 | 1.300 | .225 | 1.910 | 1P + 24S + 1P | 4-1600788-0 |
| NO | 1.725 | .850 | .250 | .300 | 1.475 | 2.200 | .250 | 2.810 | 3ACP + 24S + 2P | 3-1600788-9 |
| NO | 1.000 | .400 | .200 | .200 | .800 | 1.400 | .200 | 2.010 | 2HDP + 12S + 2HDP | 3-1600788-8 |
| NO | 1.200 | .550 | .300 | .300 | .900 | 1.750 | .275 | 2.360 | 2ACP + 8S + 2ACP | 3-1600788-7 |
| NO | 2.050 | .475 | .250 | .250 | 1.800 | 2.500 | .225 | 3.110 | 2P + 48S + 2P | 3-1600788-6 |
| NO | 1.250 | .475 | .250 | .250 | 1.000 | 1.700 | .225 | 2.310 | 2P + 16S + 2P | 3-1600788-5 |
| NO | .500 | .200 | - | - | .500 | .900 | .200 | 1.510 | 1HDP + 8S + 1HDP | 3-1600788-4 |
| NO | .700 | .200 | - | - | .700 | 1.100 | .200 | 1.710 | 1HDP + 16S + 1HDP | 3-1600788-3 |
| NO | - | - | - | - | - | 1.325 | .200 | 1.310 | 16S | 3-1600788-1 |
| NO | - | - | - | - | - | 1.825 | .175 | 2.435 | 64S | 3-1600788-0 |
| NO | - | - | - | - | - | 1.200 | .200 | 1.810 | 36S | 2-1600788-9 |
| NO | 1.400 | .250 | .300 | .300 | 1.400 | 1.950 | .275 | 2.560 | 1P + 40S + 1P | 2-1600788-8 |
| NO | - | - | - | - | - | .550 | .175 | 1.160 | 12S | 2-1600788-7 |
| NO | 2.200 | .850 | .300 | .300 | 1.600 | 2.750 | .275 | 3.360 | 3ACP + 24S + 3ACP | 2-1600788-6 |
| NO | 1.100 | .500 | .300 | .300 | .800 | 1.600 | .250 | 2.210 | 2ACP + 8S + 2ACP | 2-1600788-5 |
| NO | .450 | .225 | - | - | .450 | .900 | .225 | 1.510 | 1P + 4S + 1P | 2-1600788-4 |
| NO | 2.400 | .850 | .300 | .300 | 1.800 | 2.950 | .275 | 3.560 | 3ACP + 32S + 3ACP | 2-1600788-3 |
| NO | 1.600 | .550 | .300 | .300 | 1.300 | 2.150 | .275 | 2.760 | 2ACP + 24S + 2ACP | 2-1600788-0 |
| NO | 2.200 | .850 | .300 | .300 | 1.600 | 2.750 | .275 | 3.360 | 3ACP + 24S + 3ACP | 1-1600788-9 |
| NO | 3.450 | 1.475 | .250 | .250 | 2.200 | 3.900 | .225 | 4.510 | 6P + 24S + 6P | 1-1600788-7 |
| NO | - | - | - | - | - | 2.000 | .200 | 2.610 | 0P + 68S + 0P | 1-1600788-6 |
| NO | 2.800 | 1.150 | .300 | .300 | 1.900 | 3.350 | .275 | 3.960 | 4ACP + 24S + 4ACP | 1-1600788-5 |
| NO | 2.450 | .975 | .250 | .250 | 1.700 | 2.900 | .225 | 3.510 | 4P + 24S + 4P | 1-1600788-4 |
| NO | 1.050 | .475 | .250 | .250 | .800 | 1.500 | .225 | 2.110 | 2P + 8S + 2P | 1-1600788-3 |
| NO | 2.200 | .850 | .300 | .300 | 1.600 | 2.750 | .275 | 3.360 | 3ACP + 24S + 3ACP | 1-1600788-2 |
| NO | 1.250 | .475 | .250 | .250 | 1.000 | 1.700 | .225 | 2.310 | 2P + 16S + 2P | 1-1600788-0 |
| NO | 1.550 | .725 | .250 | .250 | 1.050 | 2.000 | .225 | 2.610 | 3P + 8S + 3P | 1600788-9 |
| NO | .950 | .225 | - | - | .950 | 1.400 | .225 | 2.010 | 1P + 24S + 1P | 1600788-8 |
| NO | 3.975 | 1.650 | .250 | .250 | 2.575 | 4.475 | .225 | 5.085 | 6P + 32S + 6P | 1600788-7 |
| NO | 2.750 | 1.475 | .250 | .250 | 2.500 | 3.200 | .225 | 3.810 | 6P + 36S + 2P | 1600788-4 |
| NO | 4.625 | 1.150 | .250 | .300 | 1.875 | 5.125 | .275 | 5.735 | 4ACP + 24S + 12P | 1600788-3 |
| NO | 2.650 | .975 | .250 | .250 | 1.900 | 3.100 | .225 | 3.710 | 4P + 32S + 4P | 1600788-2 |
| NO | 1.450 | .475 | .250 | .250 | 1.200 | 1.900 | .225 | 2.510 | 2P + 24S + 2P | 1600788-1 |

THIS DRAWING IS A CONTROLLED DOCUMENT. DMN: R. GRZYBOWSKI, APVD: P. DAMATO, DATE: 10MAY05.

STE TE Connectivity

NAME: SQUEEZE TO RELEASE CABLE RECEPTACLE ASSEMBLY W/ LATCHES AND KEY, MULTI-BEAM XLE

PRODUCT SPEC: 108-2157, APPLICATION SPEC: 114-13112, SIZE: A100779, CAGE CODE: 1600788, DRAWING NO: 1600788-7

Customer Drawing, SCALE: 4:1, SHEET 1 OF 6, REV: L7

| LOC | | DIST | | REVISIONS | | | |
|-----|-----|-------------|------|-----------|------|--|--|
| P | LTN | DESCRIPTION | DATE | OWN | APVD | | |
| - | - | SEE SHEET 1 | - | - | - | | |

| PART NUMBER | ROWS | POWER (L) | | SIGNAL | | | | | | POWER (R) | | | |
|---------------|------|-----------|----|--------|---|---|---|---|---|-----------|----|----|----|
| | | P4 | P3 | 6 | 5 | 4 | 3 | 2 | 1 | P2 | P1 | | |
| 1600788-1 | D | RM | RM | E | E | E | E | E | E | E | E | RA | RA |
| | C | | | E | E | E | E | E | E | E | | | |
| | B | | | E | E | E | E | E | E | E | | | |
| | A | | | E | E | E | E | E | E | E | | | |
| 2P + 24S + 2P | | | | | | | | | | | | | |

| PART NUMBER | ROWS | POWER (L) | | SIGNAL | | | | | | POWER (R) | | |
|---------------|------|-----------|----|--------|---|---|---|---|----|-----------|----|--|
| | | P2 | 6 | 5 | 4 | 3 | 2 | 1 | P1 | | | |
| 1600788-8 | D | RM | RM | E | E | E | E | E | E | E | RM | |
| | C | | | E | E | E | E | E | E | | | |
| | B | | | E | E | E | E | E | E | | | |
| | A | | | E | E | E | E | E | E | | | |
| 1P + 24S + 1P | | | | | | | | | | | | |

| PART NUMBER | ROWS | POWER (L) | | | | SIGNAL | | | | | | | | POWER (R) | | | | | | | |
|---------------|------|-----------|----|----|----|--------|---|---|---|---|---|---|---|-----------|----|----|----|----|----|----|----|
| | | P8 | P7 | P6 | P5 | 8 | 7 | 6 | 5 | 4 | 3 | 2 | 1 | P4 | P3 | P2 | P1 | | | | |
| 1600788-2 | D | RM | RM | RM | RM | E | E | E | E | E | E | E | E | E | E | E | E | RM | RM | RM | RM |
| | C | | | | | E | E | E | E | E | E | E | E | E | E | | | | | | |
| | B | | | | | E | E | E | E | E | E | E | E | E | E | | | | | | |
| | A | | | | | E | E | E | E | E | E | E | E | E | E | | | | | | |
| 4P + 32S + 4P | | | | | | | | | | | | | | | | | | | | | |

| PART NUMBER | ROWS | POWER (L) | | SIGNAL | | | | POWER (R) | | | | |
|---------------|------|-----------|----|--------|---|---|---|-----------|----|----|----|--|
| | | P4 | P3 | 4 | 3 | 2 | 1 | P2 | P1 | | | |
| 1-1600788-0 | D | RM | RM | E | E | E | E | E | E | RA | RA | |
| | C | | | E | E | E | E | E | | | | |
| | B | | | E | E | E | E | E | | | | |
| | A | | | E | E | E | E | E | | | | |
| 2P + 16S + 2P | | | | | | | | | | | | |

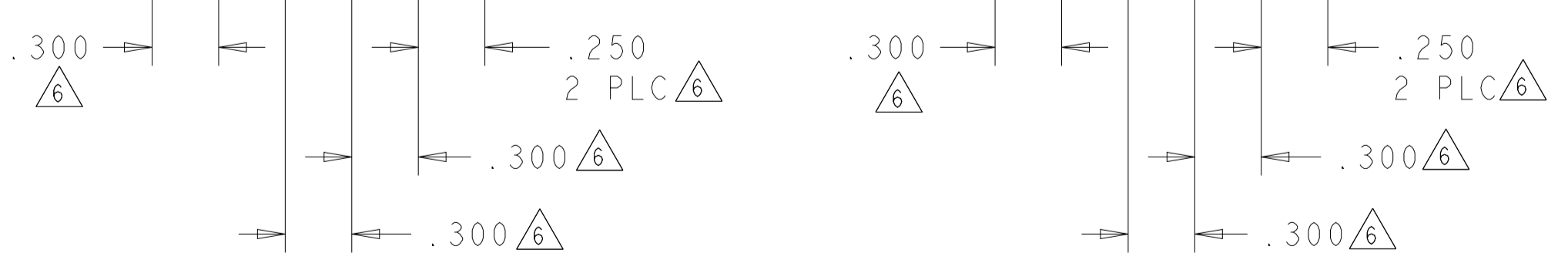
| PART NUMBER | ROWS | POWER (L) | | | | | | | | | | SIGNAL | | | | | | POWER (R) | | | | | | | | | | | | | | | | | | | | | | | | | | | |
|------------------|------|-----------|-----|-----|-----|-----|-----|-----|----|----|----|--------|----|----|----|----|----|-----------|----|----|----|----|----|---|---|---|---|---|---|---|---|---|---|---|---|---|---|---|---|---|---|---|---|---|---|
| | | P16 | P15 | P14 | P13 | P12 | P11 | P10 | P9 | P8 | P7 | P6 | P5 | 6 | 5 | 4 | 3 | 2 | 1 | P4 | P3 | P2 | P1 | | | | | | | | | | | | | | | | | | | | | | |
| 1600788-3 | D | RA | RM | RA | RM | RA | RM | RA | RM | RA | RM | RA | RM | RA | RM | RA | RM | RA | RM | RA | RM | RA | RM | | | | | | | | | | | | | | | | | | | | | | |
| | C | | | | | | | | | | | | | | | | | | | | | | | E | E | E | E | E | E | E | E | E | E | E | E | E | E | E | E | E | E | E | E | E | |
| | B | | | | | | | | | | | | | | | | | | | | | | | E | E | E | E | E | E | E | E | E | E | E | E | E | E | E | E | E | E | E | E | E | E |
| | A | | | | | | | | | | | | | | | | | | | | | | | E | E | E | E | E | E | E | E | E | E | E | E | E | E | E | E | E | E | E | E | E | E |
| 4ACP + 24S + 12P | | | | | | | | | | | | | | | | | | | | | | | | | | | | | | | | | | | | | | | | | | | | | |

| PART NUMBER | ROWS | POWER (L) | | | SIGNAL | | | | | | POWER (R) | | | | |
|-------------------|------|-----------|----|----|--------|---|---|---|---|---|-----------|----|----|----|----|
| | | P6 | P5 | P4 | 6 | 5 | 4 | 3 | 2 | 1 | P3 | P2 | P1 | | |
| 1-1600788-2 | D | RM | RM | RM | E | E | E | E | E | E | E | E | RM | RM | RM |
| | C | | | | E | E | E | E | E | E | E | | | | |
| | B | | | | E | E | E | E | E | E | E | | | | |
| | A | | | | E | E | E | E | E | E | E | | | | |
| 3ACP + 24S + 3ACP | | | | | | | | | | | | | | | |

| PART NUMBER | ROWS | POWER (L) | | SIGNAL | | | | | | | | POWER (R) | | | | | | | |
|---------------|------|-----------|----|--------|---|---|---|---|---|---|---|-----------|----|----|----|----|----|----|----|
| | | P8 | P7 | 9 | 8 | 7 | 6 | 5 | 4 | 3 | 2 | 1 | P6 | P5 | P4 | P3 | P2 | P1 | |
| 1600788-4 | D | RM | RM | E | E | E | E | E | E | E | E | E | E | RM | RM | RM | RM | RM | RM |
| | C | | | E | E | E | E | E | E | E | E | E | | | | | | | |
| | B | | | E | E | E | E | E | E | E | E | E | | | | | | | |
| | A | | | E | E | E | E | E | E | E | E | E | | | | | | | |
| 6P + 36S + 2P | | | | | | | | | | | | | | | | | | | |

| PART NUMBER | ROWS | POWER (L) | | SIGNAL | | POWER (R) | |
|--------------|------|-----------|----|--------|---|-----------|----|
| | | P4 | P3 | 2 | 1 | P2 | P1 |
| 1-1600788-3 | D | RM | RM | E | E | RA | RM |
| | C | | | E | E | | |
| | B | | | E | E | | |
| | A | | | E | E | | |
| 2P + 8S + 2P | | | | | | | |

| PART NUMBER | ROWS | POWER (L) | | | | | | SIGNAL | | | | | | POWER (R) | | | | | | | |
|---------------|------|-----------|-----|-----|----|----|----|--------|---|---|---|---|---|-----------|----|----|----|----|----|----|----|
| | | P12 | P11 | P10 | P9 | P8 | P7 | 8 | 7 | 6 | 5 | 4 | 3 | 2 | 1 | P6 | P5 | P4 | P3 | P2 | P1 |
| 1600788-7 | D | RM | RM | RM | RM | RM | RM | E | E | E | E | E | E | E | RM | RM | RM | RM | RM | RM | |
| | C | | | | | | | E | E | E | E | E | E | E | | | | | | | |
| | B | | | | | | | E | E | E | E | E | E | E | | | | | | | |
| | A | | | | | | | E | E | E | E | E | E | E | | | | | | | |
| 6P + 32S + 6P | | | | | | | | | | | | | | | | | | | | | |



| HOUSING MODULE | CONTACT | INSULATION DIAMETER RANGE |
|----------------|--------------------------|---------------------------|
| .300 POWER | 8 - 10 REF 1600960 | [.176 - .272] |
| .250 POWER | 8 - 10 REF 1600960 | [.176 - .203] |
| | 12 - 14 REF 1600961 | [.156 - .176] |
| .200 POWER | 12 - 14 REF 1600961 | [.120 - .156] |
| .100 SIGNAL | 22 - 26 REF 5531216-5 | [.036 - .069] |

| DESCRIPTION | CODE |
|---------------------|------|
| POWER CONTACT, STD | RM |
| POWER CONTACT, MFBL | RA |
| SIGNAL CONTACT | E |
| DESCRIPTION | CODE |
| CODES | |

THIS DRAWING IS A CONTROLLED DOCUMENT.

OWNER: R. GRZYBOWSKI, TOMAYOS
 CHK: P. DAMATO, TOMAYOS
 APVD: P. DAMATO, TOMAYOS

PRODUCT SPEC: 108-2157
 APPLICATION SPEC: 114-13112

SIZE: 114-13112
 WEIGHT: -
 MATERIAL: -
 FINISH: -

Customer Drawing

SCALE: 4:1 SHEET 1 OF 6 REV: 7

TE Connectivity

SQUEEZE TO RELEASE CABLE RECEPTACLE ASSEMBLY W/ LATCHES AND KEY, MULTI-BEAM XLE

100779C=1600788

| PART NUMBER | ROWS | POWER (L) | | | | SIGNAL | | | | | | POWER (R) | | | |
|---------------|------|-----------|----|----|----|--------|---|---|---|---|---|-----------|----|----|----|
| | | P8 | P7 | P6 | P5 | 6 | 5 | 4 | 3 | 2 | 1 | P4 | P3 | P2 | P1 |
| I-1600788-4 | D | RM | RM | RM | RM | E | E | E | E | E | E | RM | RM | RM | RM |
| | C | | | | | E | E | E | E | E | E | | | | |
| | B | | | | | E | E | E | E | E | E | | | | |
| | A | | | | | E | E | E | E | E | E | | | | |
| 4P + 24S + 4P | | | | | | | | | | | | | | | |

| PART NUMBER | ROWS | POWER (L) | | | SIGNAL | | POWER (R) | | |
|--------------|------|-----------|----|----|--------|---|-----------|----|----|
| | | P6 | P5 | P4 | 2 | 1 | P3 | P2 | P1 |
| 1600788-9 | D | RM | RM | RM | E | E | RM | RM | RM |
| | C | | | | E | E | | | |
| | B | | | | E | E | | | |
| | A | | | | E | E | | | |
| 3P + 8S + 3P | | | | | | | | | |

| PART NUMBER | ROWS | POWER (L) | | | | SIGNAL | | | | | | POWER (R) | | | |
|-------------------|------|-----------|----|----|----|--------|---|---|---|---|---|-----------|----|----|----|
| | | P8 | P7 | P6 | P5 | 6 | 5 | 4 | 3 | 2 | 1 | P4 | P3 | P2 | P1 |
| I-1600788-5 | D | RM | RM | RM | RM | E | E | E | E | E | E | RM | RM | RM | RM |
| | C | | | | | E | E | E | E | E | E | | | | |
| | B | | | | | E | E | E | E | E | E | | | | |
| | A | | | | | E | E | E | E | E | E | | | | |
| 4ACP + 24S + 4ACP | | | | | | | | | | | | | | | |

| PART NUMBER | ROWS | POWER | | | SIGNAL | | | | | | POWER | | | | |
|---------------|------|-------|----|----|--------|---|---|---|---|---|-------|---|----|----|----|
| | | P6 | P5 | P4 | 8 | 7 | 6 | 5 | 4 | 3 | 2 | 1 | P3 | P2 | P1 |
| 2-1600788-3 | D | RM | RM | RM | E | E | E | E | E | E | E | E | RM | RM | RM |
| | C | | | | E | E | E | E | E | E | E | | | | |
| | B | | | | E | E | E | E | E | E | E | | | | |
| | A | | | | E | E | E | E | E | E | E | | | | |
| 3ACP+32S+3ACP | | | | | | | | | | | | | | | |

| PART NUMBER | ROWS | SIGNAL | | | | | | | | | | | | | | | | | | | | | | | | | | | | | | | | | |
|---------------|------|--------|----|----|----|----|----|----|----|---|---|---|---|---|---|---|---|---|---|---|---|---|---|---|---|---|---|---|---|---|---|---|---|---|---|
| | | 17 | 16 | 15 | 14 | 13 | 12 | 11 | 10 | 9 | 8 | 7 | 6 | 5 | 4 | 3 | 2 | 1 | | | | | | | | | | | | | | | | | |
| I-1600788-6 | D | E | E | E | E | E | E | E | E | E | E | E | E | E | E | E | E | E | | | | | | | | | | | | | | | | | |
| | C | | | | | | | | | | | | | | | | | | E | E | E | E | E | E | E | E | E | E | E | E | E | E | E | | |
| | B | | | | | | | | | | | | | | | | | | E | E | E | E | E | E | E | E | E | E | E | E | E | E | E | E | E |
| | A | | | | | | | | | | | | | | | | | | E | E | E | E | E | E | E | E | E | E | E | E | E | E | E | E | E |
| OP + 68S + OP | | | | | | | | | | | | | | | | | | | | | | | | | | | | | | | | | | | |

| PART NUMBER | ROWS | P (L) | | SIGNAL | | P (R) | |
|--------------|------|-------|----|--------|---|-------|----|
| | | P2 | P1 | I | I | P1 | P1 |
| 2-1600788-4 | D | RM | RM | E | E | RM | RM |
| | C | | | E | E | | |
| | B | | | E | E | | |
| | A | | | E | E | | |
| IP + 4S + IP | | | | | | | |

| PART NUMBER | ROWS | POWER (L) | | SIGNAL | | POWER (R) | |
|------------------|------|-----------|----|--------|---|-----------|----|
| | | P4 | P3 | 2 | 1 | P2 | P1 |
| 2-1600788-5 | D | RA | RA | E | E | RA | RA |
| | C | | | E | E | | |
| | B | | | E | E | | |
| | A | | | E | E | | |
| 2ACP + 8S + 2ACP | | | | | | | |

| PART NUMBER | ROWS | POWER (L) | | | | | | SIGNAL | | | | | | POWER (R) | | | | | |
|---------------|------|-----------|-----|-----|----|----|----|--------|---|---|---|---|---|-----------|----|----|----|----|----|
| | | P12 | P11 | P10 | P9 | P8 | P7 | 6 | 5 | 4 | 3 | 2 | 1 | P6 | P5 | P4 | P3 | P2 | P1 |
| I-1600788-7 | D | RM | RM | RM | RM | RM | RM | E | E | E | E | E | E | RM | RM | RM | RM | RM | RM |
| | C | | | | | | | E | E | E | E | E | E | | | | | | |
| | B | | | | | | | E | E | E | E | E | E | | | | | | |
| | A | | | | | | | E | E | E | E | E | E | | | | | | |
| 6P + 24S + 6P | | | | | | | | | | | | | | | | | | | |

| PART NUMBER | ROWS | POWER (L) | | | SIGNAL | | | | | | POWER (R) | | | | |
|-------------------|------|-----------|----|----|--------|---|---|---|---|---|-----------|----|----|----|--|
| | | P6 | P5 | P4 | 6 | 5 | 4 | 3 | 2 | 1 | P3 | P2 | P1 | | |
| 2-1600788-6 | D | RA | RM | RM | E | E | E | E | E | E | E | RM | RA | RA | |
| | C | | | | E | E | E | E | E | E | | | | | |
| | B | | | | E | E | E | E | E | E | | | | | |
| | A | | | | E | E | E | E | E | E | | | | | |
| 3ACP + 24S + 3ACP | | | | | | | | | | | | | | | |

| PART NUMBER | ROWS | POWER (L) | | | SIGNAL | | | | | | POWER (R) | | | | |
|-------------------|------|-----------|----|----|--------|---|---|---|---|---|-----------|----|----|--|--|
| | | P6 | P5 | P4 | 6 | 5 | 4 | 3 | 2 | 1 | P3 | P2 | P1 | | |
| I-1600788-9 | D | RM | RM | RM | E | E | E | E | E | E | RM | RM | RM | | |
| | C | | | | E | E | E | E | E | | | | | | |
| | B | | | | E | E | E | E | E | | | | | | |
| | A | | | | E | E | E | E | E | | | | | | |
| 3ACP + 24S + 3ACP | | | | | | | | | | | | | | | |

| PART NUMBER | ROWS | SIGNAL | | |
|-------------|------|--------|---|---|
| | | 3 | 2 | 1 |
| 2-1600788-7 | D | E | E | E |
| | C | E | E | E |
| | B | E | E | E |
| | A | E | E | E |
| 12S | | | | |

| PART NUMBER | ROWS | SIGNAL | | | | | | | |
|---------------|------|--------|---|---|---|---|---|---|---|
| | | 9 | 8 | 7 | 6 | 5 | 4 | 3 | 2 |
| 2-1600788-9 | D | E | E | E | E | E | E | E | E |
| | C | E | E | E | E | E | E | E | E |
| | B | E | E | E | E | E | E | E | E |
| | A | E | E | E | E | E | E | E | E |
| OP + 36S + OP | | | | | | | | | |

| PART NUMBER | ROWS | POWER | | SIGNAL | | | | | | POWER | |
|---------------|------|-------|----|--------|---|---|---|---|---|-------|----|
| | | P4 | P3 | 6 | 5 | 4 | 3 | 2 | 1 | P2 | P1 |
| 2-1600788-0 | D | RM | RM | E | E | E | E | E | E | RM | RM |
| | C | | | E | E | E | E | E | | | |
| | B | | | E | E | E | E | E | | | |
| | A | | | E | E | E | E | E | | | |
| 2ACP+24S+2ACP | | | | | | | | | | | |

| PART NUMBER | ROWS | SIGNAL | | | | | | | | | | | | | | | |
|-------------|------|--------|----|----|----|----|----|----|---|---|---|---|---|---|---|---|---|
| | | 16 | 15 | 14 | 13 | 12 | 11 | 10 | 9 | 8 | 7 | 6 | 5 | 4 | 3 | 2 | 1 |
| 3-1600788-0 | D | E | E | E | E | E | E | E | E | E | E | E | E | E | E | E | |
| | C | E | E | E | E | E | E | E | E | E | E | E | E | E | E | E | |
| | B | E | E | E | E | E | E | E | E | E | E | E | E | E | E | E | |
| | A | E | E | E | E | E | E | E | E | E | E | E | E | E | E | E | |
| 64S | | | | | | | | | | | | | | | | | |

THIS DRAWING IS A CONTROLLED DOCUMENT. DIMENSIONS: INCHES. TOLERANCES UNLESS OTHERWISE SPECIFIED: 0 PLC ±. 1 PLC ±0.01 2 PLC ±0.01 3 PLC ±0.005 4 PLC ±0.0020 ANGLES ±9° FINISH: -

DWN: R. GRZYBOWSKI TOMAYOS
 CHK: P. DAMATO TOMAYOS
 APVD: P. DAMATO TOMAYOS
 PRODUCT SPEC: 108-2157
 APPLICATION SPEC: 114-13112
 WEIGHT: -
 Customer Drawing

STE TE Connectivity
 NAME: SQUEEZE TO RELEASE CABLE RECEPTACLE ASSEMBLY W/ LATCHES AND KEY, MULTI-BEAM XLE
 SIZE: CAGE CODE DRAWING NO: A100779C=1600788
 RESTRICTED TO: -
 SCALE: 4:1 SHEET 1 OF 6 REV: L7

| LOC | | DIST | | REVISIONS | | | |
|-----|-----|-------------|------|-----------|------|--|--|
| P | LTN | DESCRIPTION | DATE | DWN | APVD | | |
| - | - | SEE SHEET 1 | - | - | - | | |

| PART NUMBER | ROWS | SIGNAL | | | |
|---------------|------|--------|---|---|---|
| | | 4 | 3 | 2 | 1 |
| 3-1600788-1 | D | E | E | E | E |
| | C | E | E | E | E |
| | B | E | E | E | E |
| | A | E | E | E | E |
| 0P + 16S + 0P | | | | | |

| PART NUMBER | ROWS | POWER (L) | | SIGNAL | | | | POWER (R) | |
|---------------|------|-----------|----|--------|---|---|---|-----------|----|
| | | P4 | P3 | 4 | 3 | 2 | 1 | P2 | P1 |
| 3-1600788-5 | D | RM | RA | E | E | E | E | RA | RM |
| | C | | | E | E | E | E | | |
| 2P + 16S + 2P | | | | | | | | | |

NO CONTACTS LOADED FOR ROW B AND D

| PART NUMBER | ROWS | PL | SIGNAL | | | | | | | | | | PR | | | |
|-------------|------|----|--------|----|---|---|---|---|---|---|---|---|----|---|----|----|
| | | | P2 | 10 | 9 | 8 | 7 | 6 | 5 | 4 | 3 | 2 | | 1 | P1 | |
| 2-1600788-8 | D | RM | E | E | E | E | E | E | E | E | E | E | E | E | E | RM |
| | C | | E | E | E | E | E | E | E | E | E | E | E | E | | |
| | B | | E | E | E | E | E | E | E | E | E | E | E | E | | |
| | A | | E | E | E | E | E | E | E | E | E | E | E | E | | |
| 2P+40S+1P | | | | | | | | | | | | | | | | |

| PART NUMBER | ROWS | POWER | | SIGNAL | | | | | | | | | | | | POWER | | | |
|-------------|------|-------|----|--------|----|----|---|---|---|---|---|---|---|---|---|-------|----|----|----|
| | | P4 | P3 | 12 | 11 | 10 | 9 | 8 | 7 | 6 | 5 | 4 | 3 | 2 | 1 | P2 | P1 | | |
| 3-1600788-6 | D | RM | RM | E | E | E | E | E | E | E | E | E | E | E | E | E | E | RM | RM |
| | C | | | E | E | E | E | E | E | E | E | E | E | E | E | E | | | |
| | B | | | E | E | E | E | E | E | E | E | E | E | E | E | E | | | |
| | A | | | E | E | E | E | E | E | E | E | E | E | E | E | E | | | |
| 2P+24S+2P | | | | | | | | | | | | | | | | | | | |

| PART NUMBER | ROWS | P(L) | SIGNAL | | | | P(R) |
|-------------------|------|------|--------|---|---|---|------|
| | | | P2 | 4 | 3 | 2 | |
| 3-1600788-3 | D | RA | E | E | E | E | RM |
| | C | | E | E | E | E | |
| | B | | E | E | E | E | |
| | A | | E | E | E | E | |
| 1HDP + 16S + 1HDP | | | | | | | |

| PART NUMBER | ROWS | POWER (L) | | SIGNAL | | POWER (R) | |
|------------------|------|-----------|----|--------|---|-----------|----|
| | | P4 | P3 | 2 | 1 | P2 | P1 |
| 3-1600788-7 | D | RM | RM | E | E | RM | RM |
| | C | | | E | E | | |
| | B | | | E | E | | |
| | A | | | E | E | | |
| 2ACP + 8S + 2ACP | | | | | | | |

| PART NUMBER | ROWS | PL | SIGNAL | | | | | | PR |
|---------------|------|----|--------|---|---|---|---|---|----|
| | | | P2 | 6 | 5 | 4 | 3 | 2 | |
| 4-1600788-0 | D | RM | E | E | E | E | E | E | RM |
| | C | | E | E | E | E | E | E | |
| | B | | E | E | E | E | E | E | |
| | A | | E | E | E | E | E | E | |
| 1P + 24S + 1P | | | | | | | | | |

| PART NUMBER | ROWS | PL | SIGNAL | | PR |
|--------------|------|----|--------|---|----|
| | | | P2 | 2 | |
| 3-1600788-4 | D | RM | E | E | RM |
| | C | | E | E | |
| | B | | E | E | |
| | A | | E | E | |
| 1P + 8S + 1P | | | | | |

| PART NUMBER | ROWS | PL | SIGNAL | | | PR | | |
|-------------------|------|----|--------|----|---|----|----|----|
| | | | P4 | P3 | 3 | 2 | 1 | P2 |
| 3-1600788-8 | D | RM | RM | E | E | E | RM | RM |
| | C | | | E | E | E | | |
| | B | | | E | E | E | | |
| | A | | | E | E | E | | |
| 2HDP + 12S + 2HDP | | | | | | | | |


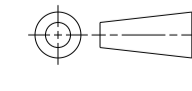
| PART NUMBER | ROWS | PL | SIGNAL | | | | | | | PR | | | |
|-----------------|------|----|--------|----|---|---|---|---|---|----|----|----|----|
| | | | P5 | P4 | 6 | 5 | 4 | 3 | 2 | 1 | P3 | P2 | P1 |
| 3-1600788-9 | D | RA | RA | E | E | E | E | E | E | E | RA | RA | RA |
| | C | | | E | E | E | E | E | E | | | | |
| | B | | | E | E | E | E | E | E | | | | |
| | A | | | E | E | E | E | E | E | | | | |
| 3ACP + 24S + 2P | | | | | | | | | | | | | |

| | | | | |
|--|--|--|------------------------------|---|
| THIS DRAWING IS A CONTROLLED DOCUMENT. | | DWN R. GRZYBOWSKI CHK P. DAMATO | TOMAY05 | STE TE Connectivity |
| DIMENSIONS: INCHES | | TOLERANCES UNLESS OTHERWISE SPECIFIED: 0 PLC ± 1 PLC ±0.01 2 PLC ±0.005 3 PLC ±0.0025 4 PLC ±0.0020 ANGLES ±0.2° | APVD P. DAMATO TOMAY05 | |
| MATERIAL | | FINISH | | NAME SQUEEZE TO RELEASE CABLE RECEPTACLE ASSEMBLY W/ LATCHES AND KEY, MULTI-BEAM XLE |
| Customer Drawing | | SIZE 114-13112 | WEIGHT | RESTRICTED TO |
| SCALE 4:1 | | SHEET 1 OF 6 | | REV L7 |

THIS DRAWING IS UNPUBLISHED. RELEASED FOR PUBLICATION 20
 © COPYRIGHT 20 BY - ALL RIGHTS RESERVED.

| LOC | | DIST | | REVISIONS | | | |
|-----|-----|-------------|------|-----------|------|--|--|
| P | LTN | DESCRIPTION | DATE | DWN | APVD | | |
| - | | SEE SHEET 1 | - | - | - | | |
| | | | | | | | |
| | | | | | | | |

| PART NUMBER | ROWS | POWER | | SIGNAL | | | | | POWER | |
|-------------|------|-------|----|--------|---|---|---|---|-------|----|
| | | P4 | P3 | 5 | 4 | 3 | 2 | 1 | P2 | P1 |
| 4-1600788-1 | D | | | E | E | E | E | E | | |
| | C | RA | RA | E | E | E | E | E | RA | RA |
| | B | | | E | E | E | E | E | | |
| | A | | | E | E | E | E | E | | |
| 2P+20S+2P | | | | | | | | | | |

| | | | | |
|---|--|---|---|---|
| THIS DRAWING IS A CONTROLLED DOCUMENT. | | DWN R. GRZYBOWSKI CHK P. DAMATO APVD P. DAMATO | 10MAY05 10MAY05 10MAY05 |  TE Connectivity |
| DIMENSIONS: INCHES | TOLERANCES UNLESS OTHERWISE SPECIFIED: 0 PLC ± 1 PLC ± 2 PLC ±0.01 3 PLC ±0.005 4 PLC ±0.0020 ANGLES ±7° FINISH | NAME SQUEEZE TO RELEASE CABLE RECEPTACLE ASSEMBLY W/ LATCHES AND KEY, MULTI-BEAM XLE | PRODUCT SPEC 108-2157 APPLICATION SPEC 114-13112 | |
|  | | SIZE A100779 | CAGE CODE C=1600788 | RESTRICTED TO - |
| MATERIAL | | WEIGHT | | SCALE 4:1 SHEET 1 OF 6 REV L7 Customer Drawing |